

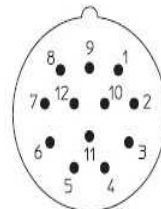
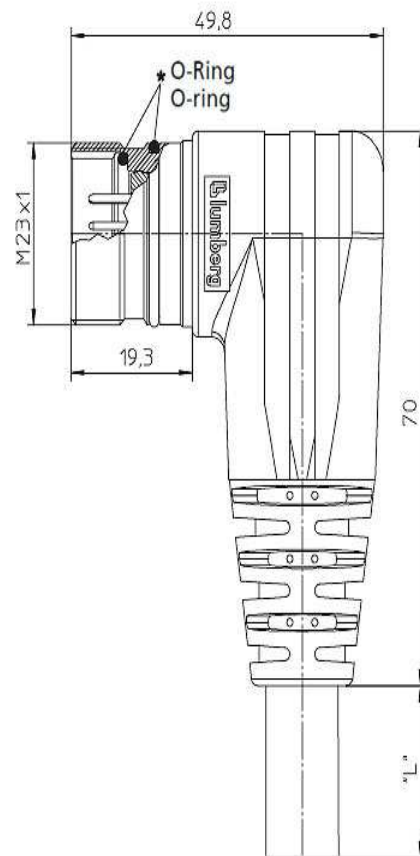


Product information
M23 Angled Male Connector,
RSWUF - RSWUF 12-256/15 M
63586

Name	
M23 Angled Male Connector, RSWUF	
	
Anschlussleitung, M23-Stecker mit Schraubverschluss, Aussengewinde und angespritztem Kabel, 12-polig, PUR-Kabelmantel, halogenfrei, 15 Meter.	
Delivery informations	
Availability	available
Product description	
Type	RSWUF 12-256/15 M
Order No.	63586
Description	Anschlussleitung, M23-Stecker mit Schraubverschluss, Aussengewinde und angespritztem Kabel, 12-polig, PUR-Kabelmantel, halogenfrei, 15 Meter.
Number of contacts	12
Color of housing	black
Product characteristics	Vibration resistance, Oil resistance, Resistance to torsions
Mechanical data	
Thread	M23
Design of electrical connection	connector M23
Environmental conditions	
Environmental temperature	-25 °C ... 80 °C
Degree of protection (IP), mounted	IP67
Pollution degree	3
Materials	
Housing material / Molded body	TPU, self-extinguishing
Contact bearer material	PBT
Contact material	CuZn
Contact material - Surface refinement	pre-nickel- and gold-plated
Knurled screw / nut material	CuZn, nickel-plated
Electrical data	
Rated current I_n	8 A
Nominal voltage	240 V
Rated voltage	250 V
Test voltage	2.5 kV eff./60 s
Insulation resistance	> 10 GΩ
Approvals	
RoHS 2002/95/EG compliant	RoHS 2002/95/EG
Cable	
Cable length	15 m



Picture
Drawing



The information published has been compiled as carefully as possible. It is subject to alteration without notice in technical as well as in price related/commercial respect.