




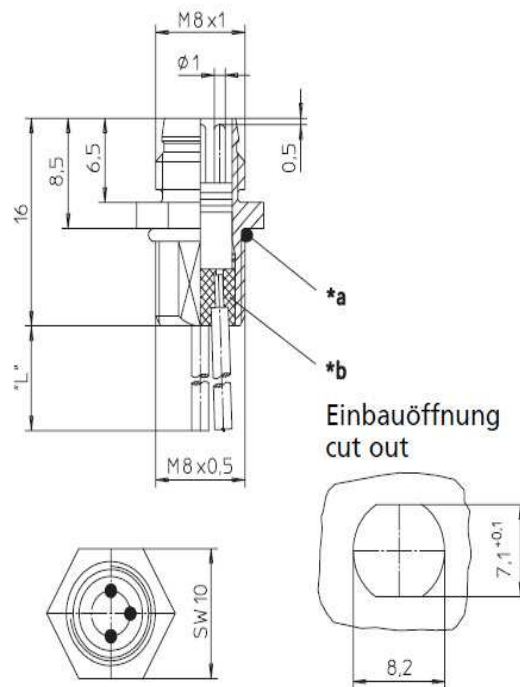
Product information
RSMF 8/0.5 M - RSMF 8/0,5 M
91740

Name	
Name	RSMF 8/0.5 M
	
	Receptacle connector, M8 male connector for front mounting, assembled stranded wire, solder contacts potted with epoxy, chassis side thread M8 x 0.5 (panel nut RSKF 8), 8 poles, 0.5 meters
Delivery informations	
Availability	available
Product description	
Type	RSMF 8/0,5 M
Order No.	91740
Description	Receptacle connector, M8 male connector for front mounting, assembled stranded wire, solder contacts potted with epoxy, chassis side thread M8 x 0.5 (panel nut RSKF 8), 8 poles, 0.5 meters
Note	The application of these products in harsh environments should always be checked before use.
Number of contacts	8
Color of housing	chromium
Product characteristics	Oil resistance
Classification	
Belden brand	Lumberg-Automation
Mechanical data	
Type of plug-in contact	Male connector
Design of housing	straight
Thread	M8
Design of electrical connection	stranded wire
LED display present	✘
Environmental conditions	
Environmental temperature	-25 °C ... 80 °C
Degree of protection (IP), mounted	IP67
Pollution degree	3
Materials	
Housing material / Molded body	CuZn, nickel-plated
Contact bearer material	PA
Contact material	CuZn
Contact material - Surface refinement	pre-nickeled and 0.8 microns gold-plated
Sealing material	FKM
Electrical data	
Contact resistance	≤ 5 mΩ
Rated current I _n	1 A at 40°C
Nominal voltage	32 V
Test voltage	0.8 kV eff./60 s
Insulation resistance	> 1 GΩ
Approvals	
Approvals	UL

The information published has been compiled as carefully as possible. It is subject to alteration without notice in technical as well as in price related/commercial respect.

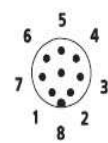


Picture
Drawing



- *a O-Ring lose beigestellt
O-ring enclosed separately
- *b Leiteranschlussbereich vergossen
solder contacts potted with epoxy

8-polig
8 poles



- 1 = weiß / white
- 2 = braun / brown
- 3 = grün / green
- 4 = gelb / yellow
- 5 = grau / grey
- 6 = rosa / pink
- 7 = blau / blue
- 8 = rot / red