
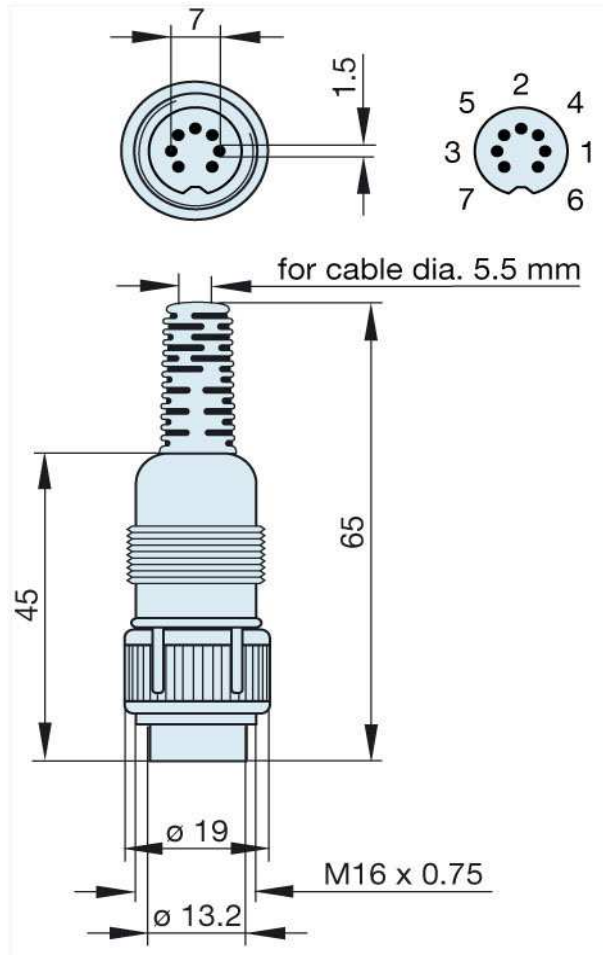




**Product information**  
**MAS 7100 S grau/grey**  
**930 688-517**

|   |                                       |
|---|---------------------------------------|
| <b>Name</b>   |                                       |
| MAS 7100 S grau/grey  |                                       |
|  |                                       |
| plug with locking screw; solder joint   |                                       |
| <b>Delivery informations</b>  |                                       |
| <b>Availability</b>   | available                             |
| <b>Product description</b>  |                                       |
| <b>Type</b>   | MAS 7100 S grau/grey                  |
| <b>Order No.</b>  | 930 688-517                           |
| <b>Type of contact</b>  | male                                  |
| <b>Description</b>  | plug with locking screw; solder joint |
| <b>Housing Color</b>  | grey                                  |
| <b>Number of contacts</b>   | 7                                     |
| <b>Conductor size</b>   | $\leq 0.34 \text{ mm}^2$              |
| <b>Technical data</b>   |                                       |
| <b>LF output "Phone"</b>  | EN 60 130-09                          |
| <b>Pole arrangement DIN</b>   | DIN 45 329                            |
| <b>Rated current</b>  | 4 A                                   |
| <b>Rated voltage</b>  | AC/DC 34 V                            |
| <b>Cable diameter</b>   | 5.5 mm                                |
| <b>Type of termination</b>  | solder                                |
| <b>Material</b>   |                                       |
| <b>Contact material</b>   | brass                                 |
| <b>Contact surface material</b>   | tin plated                            |
| <b>Contact bearer material</b>  | PA 66/UL standard 94V-2               |
| <b>Housing material</b>   | PE                                    |
| <b>Environmental conditions</b>   |                                       |
| <b>Protection class (IEC 60529)</b>   | IP 30                                 |
| <b>Temperature range</b>  | -20 °C to +60 °C                      |
| <b>Scope of delivery and accessories</b>  |                                       |
| <b>Packaging</b>  | retail package, polyethylene bag      |

Picture  
Drawing



The information published has been compiled as carefully as possible. It is subject to alteration without notice in technical as well as in price related/commercial respect.