
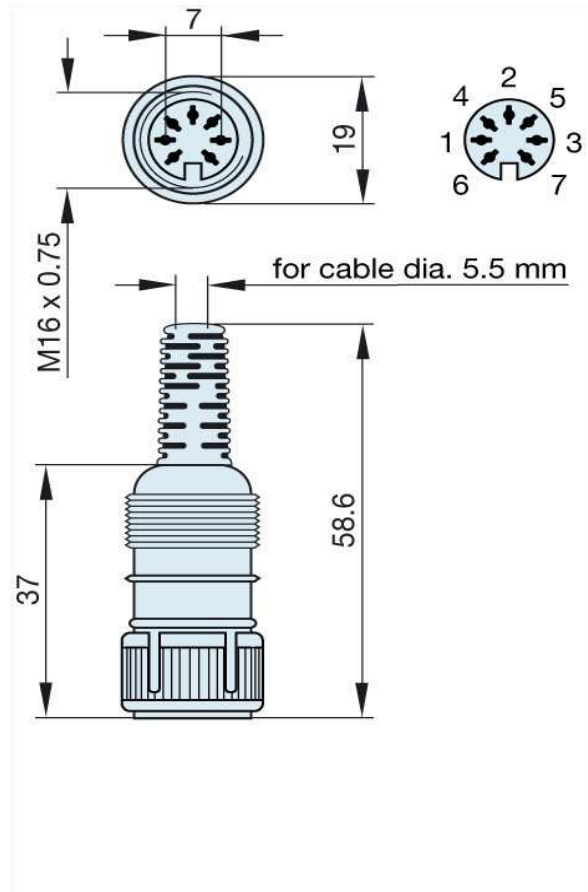




**Product information**  
**MAK 7100 S UM grau/grey**  
**930 690-117**

<b>Name</b>	
MAK 7100 S UM grau/grey	
	
socket with locking screw; solder joint	
<b>Delivery informations</b>	
<b>Availability</b>	available
<b>Product description</b>	
<b>Type</b>	MAK 7100 S UM grau/grey
<b>Order No.</b>	930 690-117
<b>Type of contact</b>	female
<b>Description</b>	socket with locking screw; solder joint
<b>Housing Color</b>	grey
<b>Number of contacts</b>	7
<b>Conductor size</b>	$\leq 0.34 \text{ mm}^2$
<b>Technical data</b>	
<b>LF output "Phone"</b>	EN 60 130-09
<b>Pole arrangement DIN</b>	DIN 45 329
<b>Rated current</b>	4 A
<b>Rated voltage</b>	AC/DC 34 V
<b>Cable diameter</b>	5.5 mm
<b>Type of termination</b>	solder
<b>Material</b>	
<b>Contact material (socket)</b>	brass
<b>Contact surface material</b>	tin plated
<b>Contact bearer material</b>	PA 66/UL standard 94V-2
<b>Housing material</b>	PE
<b>Environmental conditions</b>	
<b>Protection class (IEC 60529)</b>	IP 30
<b>Temperature range</b>	-20 °C to +60 °C
<b>Scope of delivery and accessories</b>	
<b>Packaging</b>	industry package, box; individual parts not assembled, sorted

Picture  
Drawing



The information published has been compiled as carefully as possible. It is subject to alteration without notice in technical as well as in price related/commercial respect.