



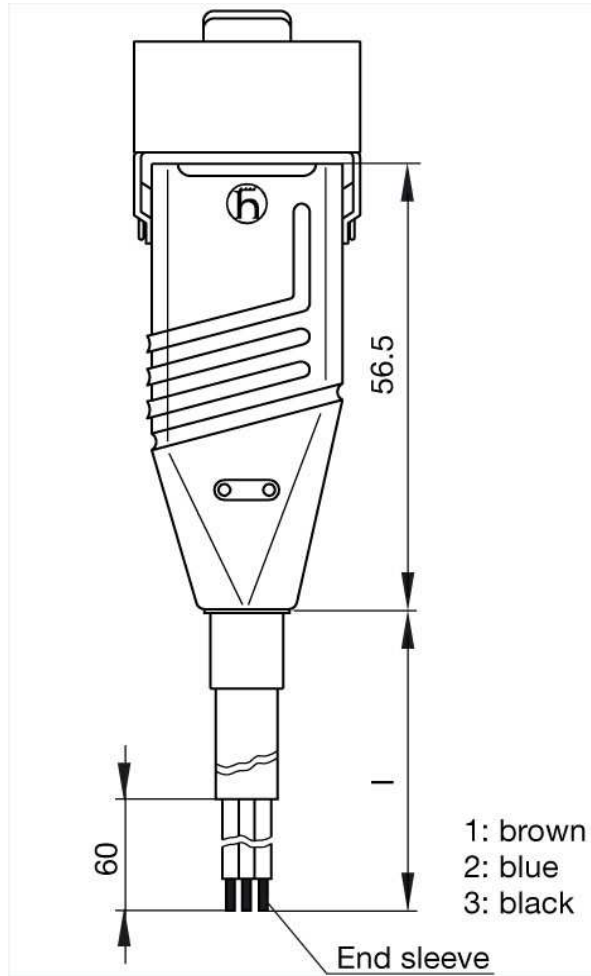
**Product information**  
**STAS 3 K 075 SI 1000mm grau/grey**  
**931 300-055**

<b>Name</b>	
STAS 3 K 075 SI 1000mm grau/grey	
	
Molded-on cable plug with harmonized lead (DIN VDE 0282) and safety bracket	
<b>Delivery informations</b>	
<b>Availability</b>	available
<b>Product description</b>	
<b>Description</b>	Molded-on cable plug with harmonized lead (DIN VDE 0282) and safety bracket
<b>Type</b>	STAS 3 K 075 SI 1000mm grau/grey
<b>Order No.</b>	931 300-055
<b>Type of contact</b>	male
<b>Number of contacts</b>	3 + PE
<b>Cable color</b>	black
<b>Cable length</b>	1000 mm
<b>Cable diameter</b>	7.5 mm
<b>Conductor size</b>	0.75 mm <sup>2</sup>
<b>Cable specification</b>	4 x 0.75 mm <sup>2</sup>
<b>Cable type</b>	H05 RR-F4G 0,75
<b>Housing Color</b>	grey
<b>Contact bearer color</b>	black
<b>Technical data</b>	
<b>Pin dimensions</b>	2 mm
<b>Rated voltage</b>	AC 400 V / DC 250 V
<b>Rated current</b>	DC 10 A / AC 10 A
<b>Contact resistance</b>	<= 5 mOhm
<b>Material</b>	
<b>Contact material</b>	Cu Zn
<b>Contact surface material</b>	Sn
<b>Contact bearer material</b>	PA
<b>Housing material</b>	PA
<b>Environmental conditions</b>	
<b>Protection class (IEC 60529)</b>	IP 54
<b>Pollution severity</b>	3
<b>Temperature range</b>	-30°C to +90°C (connector) / -25°C to +60°C (cable)
<b>Inflammability class</b>	
<b>Housing</b>	UL 94 HB
<b>Cable</b>	VDE 0472 part 804
<b>Contact bearer</b>	UL 94 HB
<b>Approvals</b>	
<b>VDE</b>	VDE
<b>SEV</b>	SEV
<b>Packing unit</b>	
<b>Packaging unit</b>	50 pieces

The information published has been compiled as carefully as possible. It is subject to alteration without notice in technical as well as in price related/commercial respect.



Picture  
Drawing



The information published has been compiled as carefully as possible. It is subject to alteration without notice in technical as well as in price related/commercial respect.