

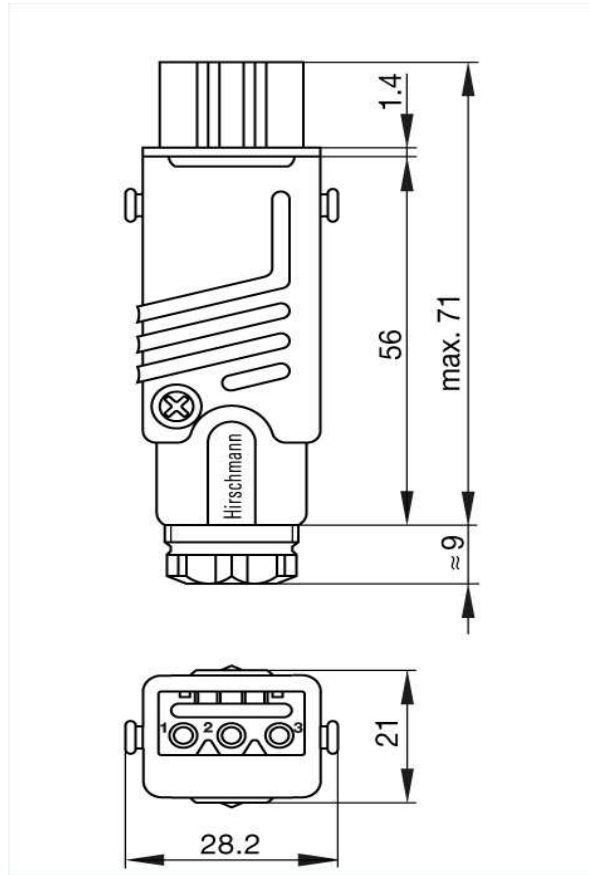


Product information
STAK 3 N schwarz/black
932 140-100

Name	
STAK 3 N schwarz/black	
	
Cable socket with strain relief	
Delivery informations	
Availability	available
Product description	
Description	Cable socket with strain relief
Type	STAK 3 N schwarz/black
Order No.	932 140-100
Type of contact	female
Number of contacts	3 + PE
Cable gland	PG 11
Cable diameter	6 mm to 10 mm
Conductor size	max. 1.5 mm ²
Housing Color	black
Contact bearer color	black
Technical data	
Pin dimensions	2 mm
Rated voltage	AC 400 V / DC 250 V
Rated current	DC 10 A / AC 16 A
Contact resistance	<= 5 mOhm
Type of termination	screw
Material	
Contact material	Cu Zn
Contact surface material	Sn
Contact bearer material	PA
Housing material	PA
Environmental conditions	
Protection class (IEC 60529)	IP 54
Pollution severity	3
Temperature range	-30 °C to +90 °C
Inflammability class	
Housing	UL 94 HB
Contact bearer	UL 94 V-0
Approvals	
UL	UL
VDE	VDE
SEV	SEV
Packing unit	
Packaging unit	100 pieces
Scope of delivery and accessories	
Accessories to order separately	safety brackets STASI 3, order no. 732 045-001

The information published has been compiled as carefully as possible. It is subject to alteration without notice in technical as well as in price related/commercial respect.

Picture
Drawing



The information published has been compiled as carefully as possible. It is subject to alteration without notice in technical as well as in price related/commercial respect.