




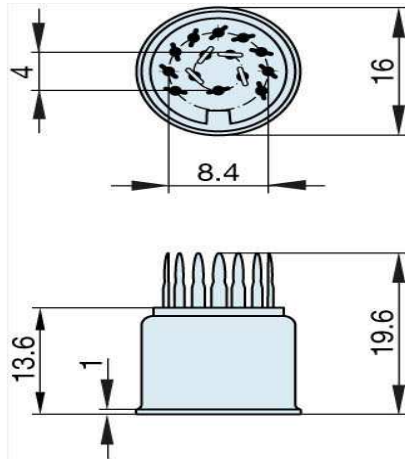
Product information

MIB 100 V

932 255-500

Name	
	MIB 100 V
	
	panel-mounted socket with solder skewers; direction of insertion perpendicular to the circuit board; solder joint
Delivery informations	
Availability	available
Product description	
Type	MIB 100 V
Order No.	932 255-500
Type of contact	female
Description	panel-mounted socket with solder skewers; direction of insertion perpendicular to the circuit board; solder joint
Number of contacts	10
Conductor size	$\leq 0.34 \text{ mm}^2$
Technical data	
LF output "Phone"	EN 60 130-09
Rated current	3 A
Rated voltage	AC/DC 34 V
Type of termination	solder
Material	
Contact material (socket)	brass
Contact surface material	tin plated
Contact bearer material	PA 66/UL standard 94V-2
Housing material	steel, nickel-plated
Environmental conditions	
Protection class (IEC 60529)	IP 30
Temperature range	-20 °C to +60 °C

Picture
Drawing



Arrangement of the soldering points on the components side

