




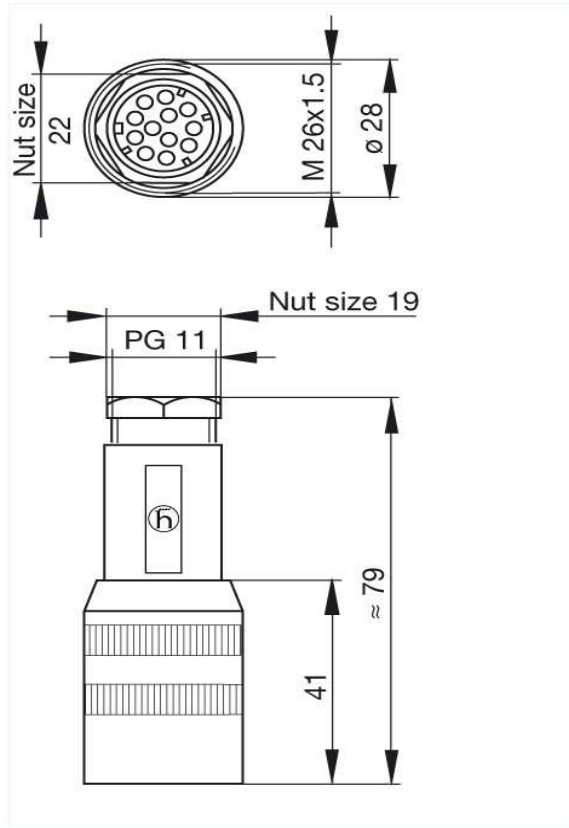
**Product information**

**N11R EF**

**932 630-106**

<b>Name</b>	
N11R EF	
	
Straight cable socket, strain relief by means of a clamping cage	
<b>Delivery informations</b>	
<b>Availability</b>	available
<b>Product description</b>	
<b>Description</b>	Straight cable socket, strain relief by means of a clamping cage
<b>Type</b>	N11R EF
<b>Order No.</b>	932 630-106
<b>Type of contact</b>	female
<b>Number of contacts</b>	11 + PE
<b>Cable gland</b>	PG 11
<b>Cable diameter</b>	8 mm to 10 mm
<b>Conductor size</b>	max. 0.5 mm <sup>2</sup>
<b>Standard</b>	DIN 43651
<b>Housing Color</b>	grey
<b>Technical data</b>	
<b>Pin dimensions</b>	1.6 mm
<b>Rated voltage</b>	AC/DC 60 V
<b>Rated current</b>	5 A
<b>Contact resistance</b>	<= 5 mOhm
<b>Type of termination</b>	crimp
<b>Suitable cables</b>	0.14 mm <sup>2</sup> to 0.5 mm <sup>2</sup>
<b>Material</b>	
<b>Contact surface material</b>	Ag
<b>Contact bearer material</b>	PET
<b>Housing material</b>	PET
<b>Environmental conditions</b>	
<b>Protection class (IEC 60529)</b>	IP 65
<b>Temperature range</b>	-40 °C to +90 °C
<b>Packing unit</b>	
<b>Packaging unit</b>	10 pieces
<b>Scope of delivery and accessories</b>	
<b>Scope of delivery</b>	1 cable sockets, not assembled, in polythene bag, with assembly instructions
<b>Accessories to order separately</b>	can be plugged into N11R AM, N11R AM 5, contacts: RBC 162/1

Picture  
Drawing



The information published has been compiled as carefully as possible. It is subject to alteration without notice in technical as well as in price related/commercial respect.