




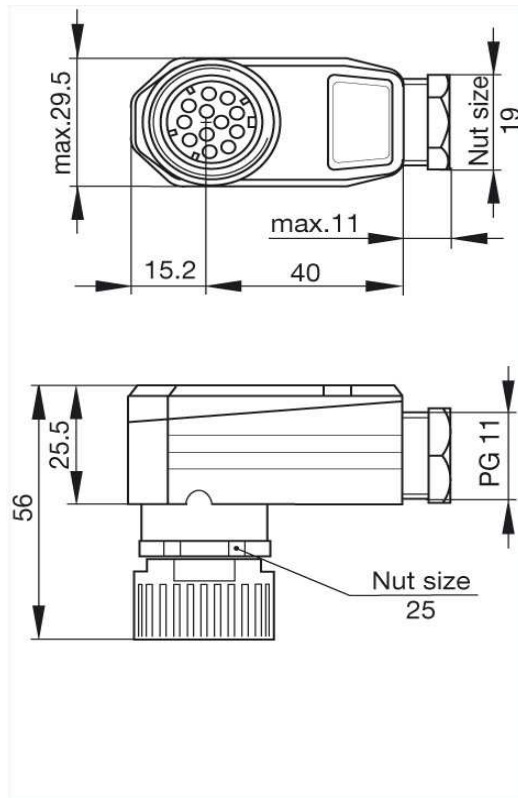
Product information

N11R FF

932 632-106

Name	
N11R FF	
	
Angled cable socket, strain relief by means of a clamping cage	
Delivery informations	
Availability	available
Product description	
Description	Angled cable socket, strain relief by means of a clamping cage
Type	N11R FF
Order No.	932 632-106
Type of contact	female
Number of contacts	11 + PE
Cable gland	PG 11
Cable diameter	8 mm to 10 mm
Conductor size	max. 0.5 mm ²
Standard	DIN 43651
Housing Color	grey
Technical data	
Pin dimensions	1.6 mm
Rated voltage	AC/DC 60 V
Rated current	5 A
Contact resistance	<= 5 mOhm
Type of termination	crimp
Suitable cables	0.14 mm ² to 0.5 mm ²
Material	
Contact surface material	Ag
Contact bearer material	PET
Housing material	PET
Environmental conditions	
Protection class (IEC 60529)	IP 65
Temperature range	-40 °C to +90 °C
Packing unit	
Packaging unit	10 pieces
Scope of delivery and accessories	
Scope of delivery	1 cable sockets, not assembled, in polythene bag, with assembly instructions
Accessories to order separately	can be plugged into N11R AM, N11R AM 5 contacts: RBC 162/1

Picture
Drawing



The information published has been compiled as carefully as possible. It is subject to alteration without notice in technical as well as in price related/commercial respect.