
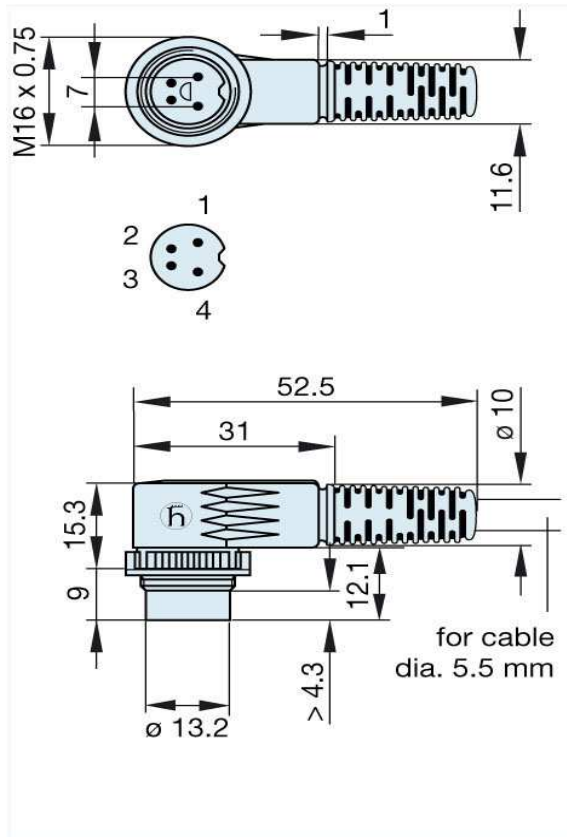




**Product information**  
**MAWI 4100 grau/grey**  
**932 907-117**

<b>Name</b>	
MAWI 4100 grau/grey	
	
angled plug with locking screw; solder joint	
<b>Delivery informations</b>	
<b>Availability</b>	available
<b>Product description</b>	
<b>Type</b>	MAWI 4100 grau/grey
<b>Order No.</b>	932 907-117
<b>Type of contact</b>	male
<b>Description</b>	angled plug with locking screw; solder joint
<b>Housing Color</b>	grey
<b>Number of contacts</b>	4
<b>Conductor size</b>	$\leq 0.34 \text{ mm}^2$
<b>Technical data</b>	
<b>LF output "Phone"</b>	EN 60 130-09
<b>Rated current</b>	4 A
<b>Rated voltage</b>	AC/DC 34 V
<b>Cable diameter</b>	6.5 mm
<b>Type of termination</b>	solder
<b>Material</b>	
<b>Contact material</b>	brass
<b>Contact surface material</b>	tin plated
<b>Contact bearer material</b>	PA 66/UL standard 94V-2
<b>Housing material</b>	PE
<b>Environmental conditions</b>	
<b>Protection class (IEC 60529)</b>	IP 30
<b>Temperature range</b>	-20 °C to +60 °C
<b>Scope of delivery and accessories</b>	
<b>Packaging</b>	retail package, polyethylene bag

Picture  
Drawing



The information published has been compiled as carefully as possible. It is subject to alteration without notice in technical as well as in price related/commercial respect.