


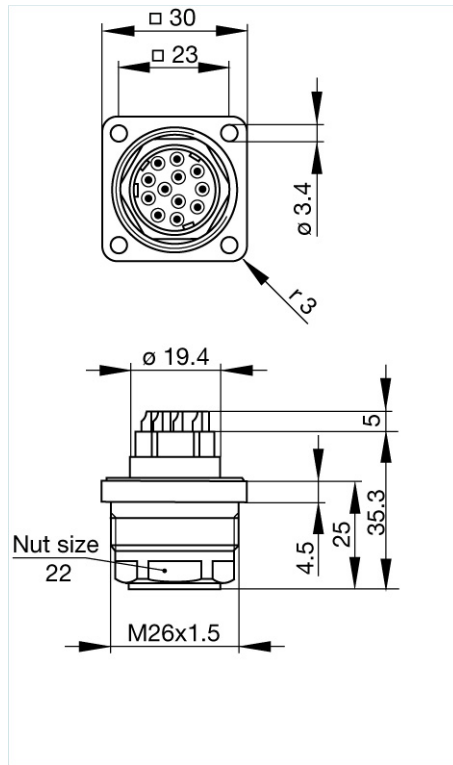


Product information
N11R BM FA F Metall/metal
934 392-001

Name	
N11R BM FA F Metall/metal	
	
Surface-mounted connector with flange and filter selection 11 x 1nF,metal housing	
Delivery informations	
Availability	available
Product description	
Description	Surface-mounted connector with flange and filter selection 11 x 1nF, metal housing
Type	N11R BM FA F Metall/metal
Order No.	934 392-001
Type of contact	male
Number of contacts	11 + PE
Housing Color	grey
Technical data	
Pin dimensions	1.6 mm
Rated voltage	AC 25 V / DC 50 V
Rated current	5 A
Contact resistance	<= 5 mOhm
Type of termination	solder, solid pins
Mounting	flange
Material	
Contact surface material	Ag
Contact bearer material	PET
Housing material	Zn Al/Ni
Environmental conditions	
Protection class (IEC 60529)	IP 65
Temperature range	-40 °C to +90 °C
Packing unit	
Packaging unit	50 pieces
Scope of delivery and accessories	
Accessories to order separately	can be plugged into N11R EF S; protective cover SHK 2, order no. 733 845-001



Picture
Drawing



The information published has been compiled as carefully as possible. It is subject to alteration without notice in technical as well as in price related/commercial respect.