




Product information
0985 508 120 - 0985 508 120/15 M
934688014

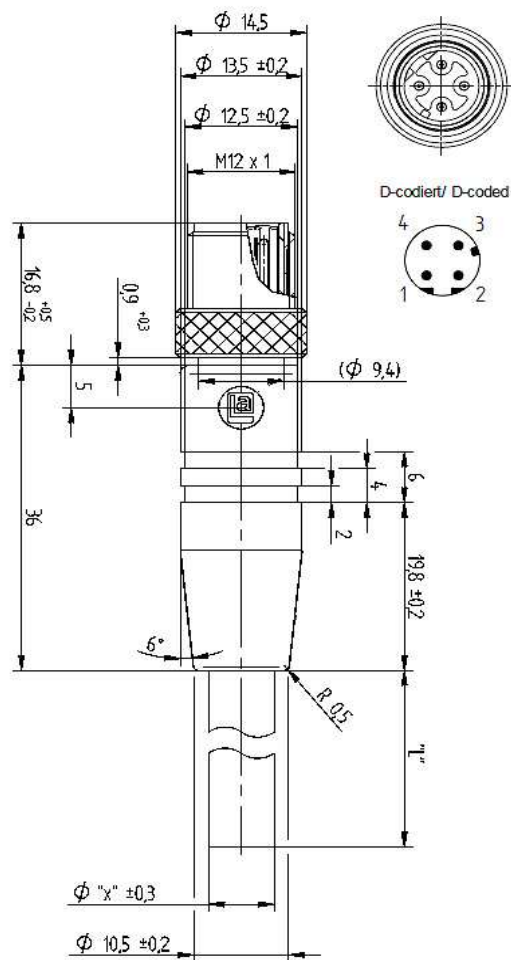
Name	
0985 508 120	
	
M12 cordset single-ended, Industrial Ethernet data cable, Cat 5 (ProfiNet), single-ended molded with M12 male connector, 4 poles, D coding, PUR jacket, halogen-free, black, 15 meter.	
Delivery informations	
Availability	available
Product description	
Type	0985 508 120/15 M
Order No.	934 688-014
Description	M12 cordset single-ended, Industrial Ethernet data cable, Cat 5 (ProfiNet), single-ended molded with M12 male connector, 4 poles, D coding, PUR jacket, halogen-free, black, 15 meter.
Note	Cat 5 and Cat 5e transmission properties according to ISO IEC 11801 and TIA/EIA-568-B.2. The application of these products in harsh environments should always be checked before use.
Color of housing	black
Number of contacts	4
Product characteristics	Oil resistance, EMC resistance, Vibration resistance
Classification	
Belden class	Industrial Ethernet Railway Connectors
Belden brand	Lumberg-Automation
Mechanical data	
Type of plug-in contact	Male connector
Design of housing	straight
Thread	M12
Coding of the M12 round plug connector	D
Environmental conditions	
Environmental temperature	-40 °C ... 85 °C
Degree of protection (IP), mounted	IP67
Pollution degree	3
Materials	
Housing material / Molded body	PA
Contact bearer material	PBT
Contact material	CuSn
Contact material - Surface refinement	gold-plated
Knurled screw / nut material	CuZn, nickel-plated
Approvals	
Approvals	EN 50155, IEC 61373, DIN CLC/TS 50467, DIN CEN/TS 45545, DIN 5510
RoHS 2002/95/EG compliant	yes
Electrical data	
Contact resistance	≤ 5 mΩ
Rated current I_n	4 A at 40°C
Nominal voltage	60 V
Rated voltage	250 V
Test voltage	2 kV eff./60 s
Insulation resistance	> 1 GΩ
Cable	
Cable length	15 m
Cable number	508

The information published has been compiled as carefully as possible. It is subject to alteration without notice in technical as well as in price related/commercial respect.



Cable description	Bus cable
Color of jacket	black
Material of outer jacket	PUR
Without halogens as in EN 50267-2-3	✓

Picture
Drawing



The information published has been compiled as carefully as possible. It is subject to alteration without notice in technical as well as in price related/commercial respect.