

KEL-SNAP

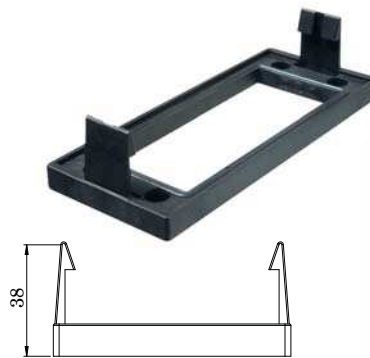
Snap mounting frames



Integrated circular sealing (IP54)



Blank plate BPK-SNAP, see page 186



1.11

1.21

| Description | Type | Order No. | Fits for | Cut-out [mm] | PU |
|-------------|----------------|-----------|--|--------------|----|
| | KEL-SNAP-B | 42038 | KEL-B KEL-U-B KEL-QUICK-B | 46 × 38 | 10 |
| | KEL-SNAP 10 | 42039 | KEL 10 KEL-U 10 KEL-QUICK 10 | 46 × 65 | 10 |
| | KEL-SNAP 16 | 42040 | KEL 16 KEL-U 16 KEL-QUICK 16 | 46 × 85 | 10 |
| | KEL-SNAP 24 | 42042 | KEL 24 KEL-U 24 KEL-FG-A KEL-QUICK 24 | 46 × 112 | 10 |
| | KEL-SNAP 24-E | 42044 | KEL 24-E | 71 × 112 | 1 |
| | KEL-SNAP 24-MT | 42046 | KEL 24-MT | 89 × 112 | 1 |

Product description

The patented KEL-SNAP frame provides a quick assembly of the KEL / KEL-U / KEL-QUICK system when necessary. Control panels, cabinets or machines can be equipped with the KEL-SNAP frame at delivery, allowing a simple push in of the KEL frame when routing the cables and conduits. Perfect for enclosures that are maintenance intensive or for an install at a later date.

A cut-out of 46 mm also can be chosen instead of 36 mm. Thus prefabricated multi-pin connectors can be used.

Advantages & benefits

- Upon disassembly (e.g. maintenance) screwing and unscrewing of KEL frame is not necessary
- Previously assembled KEL frames are quickly and easily attached
- Integrated gasket
- Drilling template identical to KEL frame (except KEL-SNAP-B)

Specifications

| | |
|--------------------|-----------------------------------|
| Material | Polyamide (PA) |
| Flame class | UL94-Vo, self-extinguishing |
| IP rating | IP54 (certified acc. to EN 60529) |
| UL type rating | UL type 12 (acc. to UL 50E) |
| Temperature | - 40°C to + 140°C (static) |
| Properties | Halogen-free, silicone-free |
| Cut-out dimensions | See Page 218 - 219 |

Accessories

| | |
|------------------------------|-----------|
| KEL Cable entry frames | 18 - 27 |
| KEL-U Cable entry frames | 8 - 14 |
| KEL-FG Flange enclosure | 28 - 30 |
| KEL-QUICK Cable entry frames | 56 - 57 |
| MP Module plates | 174 - 175 |
| BPK-SNAP Blank plates | 186 |
| ST Plugs | 53 |