

KEL-DP round Cable Entry Plates



Also available in black.



Membrane on front



Special fixing ribs ensure a centered fit.

Product Description

2.1

KEL-DP entry plates are designed for routing cables without connectors.

The KEL-DP products are a cost saving alternative to traditional cable glands. Ideal for high volume applications where conventional cable glands would normally be used. Simply make a small hole in the thin membrane and push the cables through. The KEL-DP round provides protection IP65 / UL Type 12.

ST-B Plugs can be used for sealing pierced membranes if cables have been removed.

A special rib ensures a centered fit in the cut-outs.

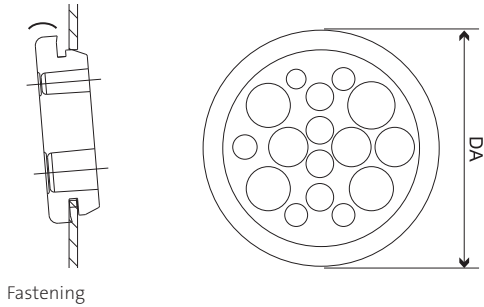
Advantages & Benefits

- Fast and easy assembly, no tools required
- High cable density
- Very good strain relief on the cable bundle
- Cost-effective
- For wall thickness 1.5 - 4 mm / 0.039 - 0.157 "
- Hygienic design - free of dirt-collecting recesses

Type	Order No. Type A	Order No. Type B	Number of cables	Cut-out	External diameter DA	PU
KEL-DP 25 4	43533 50533	-	4× max. 8 mm / 0.315 "	∅ 25 mm 0.984 "	32 mm 1.26 "	10
KEL-DP 25 6	43531 50531	-	4× max. 5.2 mm / 0.205 " 2× max. 9.4 mm / 0.37 "	∅ 25 mm 0.984 "	32 mm 1.26 "	10
KEL-DP 32 10	43532 50532	43560 50560	6× max. 5.2 mm / 0.205 " 2× max. 6.4 mm / 0.252 " 2× max. 9.4 mm / 0.37 "	∅ 32 mm 1.26 "	38 mm 1.496 "	10
KEL-DP 40 9	43536	43561	8× max. 9.5 mm / 0.374 " 1× max. 11.3 mm / 0.445 "	∅ 40 mm 1.575 "	50 mm 1.969 "	10
KEL-DP 40 16	43537	43563	2× max. 5.3 mm / 0.201 " 10× max. 6.3 mm / 0.248 " 2× max. 9.5 mm / 0.374 " 2× max. 11.3 mm / 0.445 "	∅ 40 mm 1.575 "	50 mm 1.969 "	10
KEL-DP 40 17	43538	43565	1× max. 4 mm / 0.157 " 16× max. 7.2 mm / 0.283 "	∅ 40 mm 1.575 "	50 mm 1.969 "	10

* Only valid for gray product types

KEL-DP round Cable Entry Plates



IP65

Type	Order No. Type A	Order No. Type B	Number of cables	Cut-out	External diameter DA	PU
KEL-DP 50 9	43554	43568	5× max. 7 mm / 0.276 "	ø 50 mm 1.969 "	60 mm 2.362 "	10
	50554	50568	4× max. 18 mm / 0.709 "			
KEL-DP 50 11	43555	43569	7× max. 7.2 mm / 0.283 "	ø 50 mm 1.969 "	60 mm 2.362 "	10
	50555	50569	3× max. 11.2 mm / 0.441 " 1× max. 22.5 mm / 0.886 "			
KEL-DP 50 12	43551	43562	10× max. 9.2 mm / 0.362 "	ø 50 mm 1.969 "	60 mm 2.362 "	10
	50551	50562	2× max. 11.2 mm / 0.439 "			
KEL-DP 50 16	43550	43564	4× max. 5.3 mm / 0.201 "	ø 50 mm 1.969 "	60 mm 2.362 "	10
	50550	50564	5× max. 6.3 mm / 0.248 " 3× max. 9.5 mm / 0.374 " 4× max. 11.3 mm / 0.445 "			
KEL-DP 50 18	43553	43567	2× max. 4 mm / 0.157 "	ø 50 mm 1.969 "	60 mm 2.362 "	10
	50553	50567	2× max. 6 mm / 0.236 " 4× max. 7.2 mm / 0.283 " 5× max. 9.4 mm / 0.37 " 5× max. 12 mm / 0.472 "			
KEL-DP 50 20	43552	43566	16× max. 6.3 mm / 0.248 "	ø 50 mm 1.969 "	60 mm 2.362 "	10
	50552	50566	4× max. 9.3 mm / 0.366 "			
KEL-DP 50 35	43556	43570	35× max. 5.2 mm / 0.205 "	ø 50 mm 1.969 "	60 mm 2.362 "	10
	50556	50570				

* Only valid for gray product types

Specifications

Material	Elastomer
Color	<input type="checkbox"/> gray (similar RAL 7035) <input type="checkbox"/> black
Flame class	UL94-Vo
IP rating	IP65 (certified acc. to EN 60529)
UL type rating	UL type 12 (acc. to UL 50E)
Operating temperature	- 40°C to + 90°C (static) - 40°F to + 194°F (static)
Properties	Halogen-free, silicone-free
Cut-out dimensions	Metric sizes
Plate depth	5 mm / 0.197 "
Type A:	For wall thickness 1.5 - 2.5 mm
Type B:	For wall thickness 2.8 - 4 mm

Accessories

ST-B Plugs	85
FP Flange plates	178 - 183

2.1