

# EV-T1G2C-1AC32A-19FT10ASBK01 - AC charging cable



1020770

<https://www.phoenixcontact.com/gb/products/1020770>

Please be informed that the data shown in this PDF document is generated from our online catalog. Please find the complete data in the user documentation. Our general terms of use for downloads are valid.



CHARX connect, AC charging cable, with vehicle charging connector and open cable end, for charging electric vehicles (EV) with alternating current (AC) via type 1 vehicle charging inlets, with protective cap, Type 1, SAE J1772, 32 A / 250 V (AC), PHOENIX CONTACT logo, cable: 19 ft, black, straight

## Product description

AC charging cable with vehicle charging connector and free cable end for charging electric vehicles (EV) with alternating current (AC) via type 1 vehicle charging inlets, for installation at charging stations for e-mobility (EVSE)

## Your advantages

- Complete product range
- Convenient handling due to the ergonomic, triple award-winning design
- Available with your logo on request – for consistent branding of your charging station
- Longitudinal water tightness reliably prevents water ingress
- Developed and produced in accordance with the IATF 16949 automotive standard and ISO 9001
- Tested in accordance with automotive standards LV124, LV214, and LV215-2
- Tested in accordance with EV Ready 37 requirements
- Laser-marked mating face in accordance with DIN EN 17186

## Commercial data

|                                      |               |
|--------------------------------------|---------------|
| Item number                          | 1020770       |
| Packing unit                         | 1 pc          |
| Minimum order quantity               | 1 pc          |
| Sales key                            | XWBAAA        |
| Product key                          | XWBAAA        |
| GTIN                                 | 4055626511061 |
| Weight per piece (including packing) | 3,965 g       |
| Weight per piece (excluding packing) | 3,965 g       |
| Country of origin                    | PL            |

# EV-T1G2C-1AC32A-19FT10ASBK01 - AC charging cable



1020770

<https://www.phoenixcontact.com/gb/products/1020770>

## Technical data

### Product properties

|                   |  |
|-------------------|--|
| Product type      | AC charging cable  |
| Product family    | CHARX connect  |
| Application       | for charging electric vehicles (EV) with alternating current (AC) via type 1 vehicle charging inlets<br>for installation at charging stations for electromobility (EVSE) |
| Type              | AC charging cable<br>with vehicle charging connector and open cable end  |
| Design            | with protective cap  |
| Affixed logo      | PHOENIX CONTACT logo   |
| Charging mode     | AC level 2   |
| Charging standard | Type 1   |

### Electrical properties

|                               |  |
|-------------------------------|--|
| Type of signal transmission   | Pulse width modulation   |
| Note on the connection method | Crimp connection, cannot be disconnected                           |
| Coding                        | 480 $\Omega$ (Lever actuated)<br>150 $\Omega$ (Lever not actuated) |
| Type of charging current      | AC single-phase  |
| Charging power                | 8 kW   |
| Charging current              | 32 A   |

### Power contact

|               |               |
|---------------|---------------|
| Number        | 3 (L1, N, PE) |
| Rated voltage | 250 V AC      |
| Rated current | 32 A          |

### Signal contact

|               |            |
|---------------|------------|
| Number        | 2 (CP, CS) |
| Rated voltage | 30 V AC    |
| Rated current | 2 A        |

## Dimensions

### Vehicle charging connector

|        |          |
|--------|----------|
| Width  | 58 mm    |
| Height | 151.1 mm |
| Depth  | 236.1 mm |

## Material specifications

|                           |                    |
|---------------------------|--------------------|
| Color (Housing)           | black (9005)       |
| Color (Handle area)       | black (9005)       |
| Color (Actuating element) | silver grey (7001) |

# EV-T1G2C-1AC32A-19FT10ASBK01 - AC charging cable



1020770

<https://www.phoenixcontact.com/gb/products/1020770>

|                                       |              |
|---------------------------------------|--------------|
| Color (Mating face)                   | black (9005) |
| Color (Protective cap)                | black (9005) |
| Color (Cable)                         | black (9005) |
| Material (Vehicle charging connector) | Plastic      |
| Material (Cable outer sheath)         | TPE-U        |
| Material (Contact surface)            | Silver       |

## Cable/line

|                                |  |
|--------------------------------|--|
| Cable length                   | 19 ft  |
| Wiring standards/regulations   | UL 62<br>FFSO7.E343212   |
| Cable weight                   | max. 385 kg/km   |
| Cable type                     | straight   |
| Cable structure                | 3 x 10 AWG + 1 x 18 AWG  |
| External cable diameter        | 17 mm ±0.4 mm  |
| Outer sheath, material         | TPE  |
| Stripping length of the sheath | 70 mm ±5 mm  |
| Cable resistance               | ≤ 0.00351 Ω/m (based on a power core, at an ambient temperature of 20°C) |
| Bending radius                 | min. 255 mm (15x diameter)   |
| Cable length                   | 19 ft  |
| Stripping length               | 70 mm ±5 mm  |
| External cable diameter        | 17 mm ±0.4 mm  |
| Wiring standards/regulations   | UL 62<br>FFSO7.E343212   |
| Cable resistance               | ≤ 0.00351 Ω/m (based on a power core, at an ambient temperature of 20°C) |

## Mechanical properties

### Mechanical data

|                             |         |
|-----------------------------|---------|
| Insertion/withdrawal cycles | > 10000 |
| Insertion force             | < 75 N  |
| Withdrawal force            | < 75 N  |

## Environmental and real-life conditions

### Ambient conditions

|   |  |
|---|--|
| Degree of protection (Vehicle charging inlet) | IP44 (plugged in; when plugged in and ready to operate, the degree of protection is only ensued if both plug-in components are original products from Phoenix Contact or suitable standard-compliant products) |
| Degree of protection (Protective cap)         | IP54   |
| Ambient temperature (operation)               | -30 °C ... 50 °C   |
| Ambient temperature (storage/transport)       | -40 °C ... 80 °C   |
| Altitude                                      | 5000 m (above sea level)   |

# EV-T1G2C-1AC32A-19FT10ASBK01 - AC charging cable



1020770

<https://www.phoenixcontact.com/gb/products/1020770>

## Standards and regulations

### Standards

| Standards/regulations |
|-----------------------|
| SAE J1772             |

# EV-T1G2C-1AC32A-19FT10ASBK01 - AC charging cable

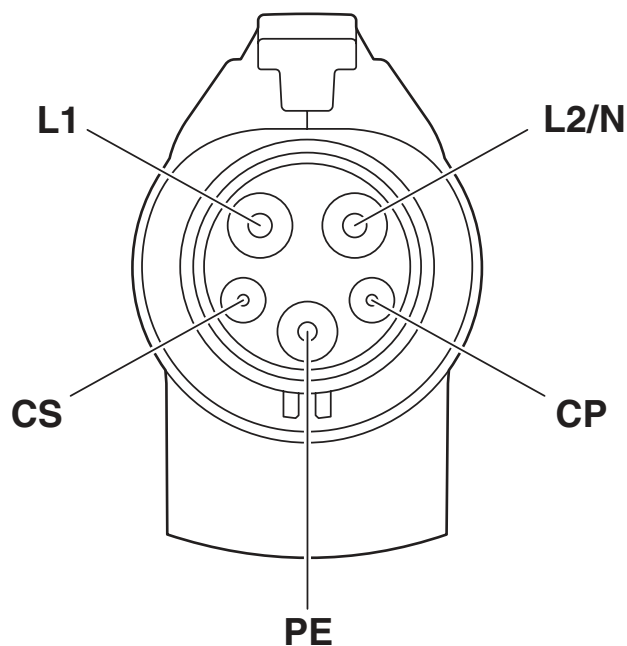


1020770

<https://www.phoenixcontact.com/gb/products/1020770>

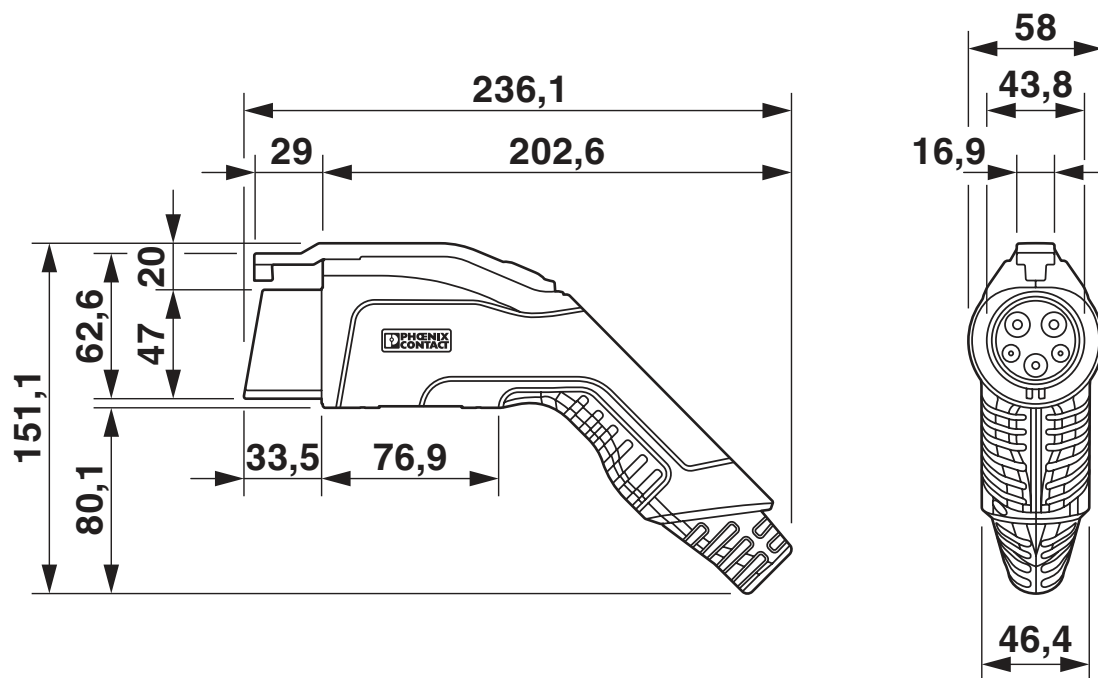
## Drawings

Connection diagram



Pin assignment of the Vehicle Connector

Dimensional drawing



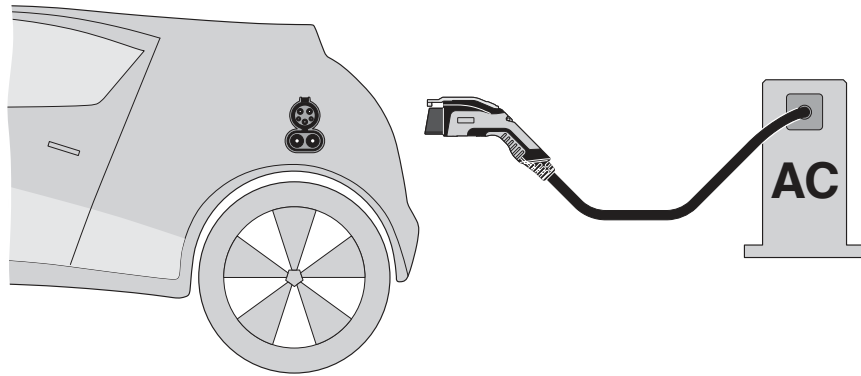
Make sure that the vehicle charging connector is placed in an appropriate charging connector holder, which ensures a minimum protection rating of IP24 in accordance with IEC 61851-1, for the entire time between charging. To create this charging connector holder, use the dimensions of the vehicle charging connector. Detailed dimensions can also be found in the Download area.

# EV-T1G2C-1AC32A-19FT10ASBK01 - AC charging cable

1020770

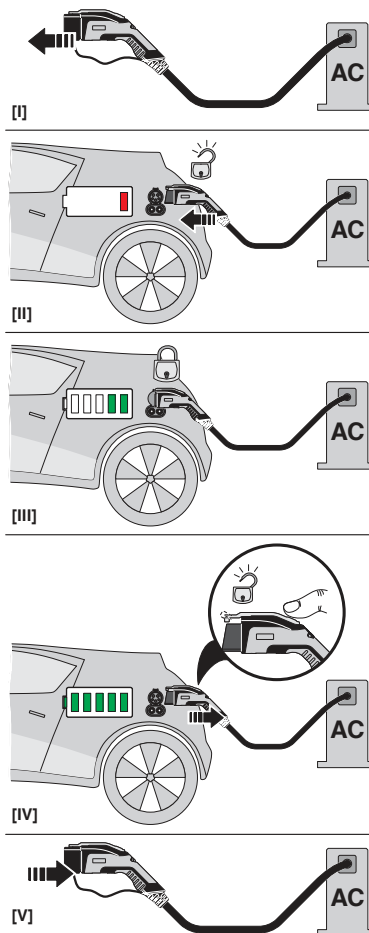
<https://www.phoenixcontact.com/gb/products/1020770>

Schematic diagram



## Terminology definition

Schematic diagram



## Operating instructions

# EV-T1G2C-1AC32A-19FT10ASBK01 - AC charging cable



1020770

<https://www.phoenixcontact.com/gb/products/1020770>

## Classifications

### ECLASS

ECLASS-11.0

27144705

### ETIM

ETIM 8.0

EC002897

### UNSPSC

UNSPSC 21.0

39121500

# EV-T1G2C-1AC32A-19FT10ASBK01 - AC charging cable



1020770

<https://www.phoenixcontact.com/gb/products/1020770>

## Environmental product compliance

|            |   |
|------------|---|
| China RoHS | Environmentally Friendly Use Period = 10;<br>For information on hazardous substances, refer to the manufacturer's declaration available under "Downloads" |
|------------|---|



# EV-T1G2C-1AC32A-19FT10ASBK01 - AC charging cable



1020770

<https://www.phoenixcontact.com/gb/products/1020770>

## Accessories

### EV-T1AC-PARK - Charging connector holder

1624139

<https://www.phoenixcontact.com/gb/products/1624139>



CHARX connect, Charging connector holder, Accessories, for vehicle charging connectors on charging stations (EVSE), Type 1, SAE J1772, Front mounting, housing: black

---

### G-INS-M32-M68N-PNES-BK - Cable gland

1411136

<https://www.phoenixcontact.com/gb/products/1411136>



Cable gland, material for screw connection: PA, external cable diameter 15 mm . . . 21 mm, shielding: no, connecting thread: M32 x 1.5, color: jet black RAL 9005

---

Phoenix Contact 2023 © - all rights reserved

<https://www.phoenixcontact.com>

PHOENIX CONTACT Ltd  
Halesfield 13, Telford  
Shropshire, TF7 4PG  
01952 681700  
[info@phoenixcontact.co.uk](mailto:info@phoenixcontact.co.uk)