

FL SWITCH 2416 - Industrial Ethernet Switch



1043416

<https://www.phoenixcontact.com/gb/products/1043416>

Please be informed that the data shown in this PDF document is generated from our online catalog. Please find the complete data in the user documentation. Our general terms of use for downloads are valid.

Managed Switch 2000, 16 RJ45 ports 10/100 Mbps, PROFINET Conformance-Class B, Extended temperature range



Your advantages

- DHCP client, DHCP server (pool-based and port-based), DHCP option 82
- Ambient temperature -40 °C ... 70 °C
- VLANs
- RSTP
- MRP (client and manager)
- Web-based management, SNMP
- Configuration memory
- Easy and fast startup and commissioning with the FL NETWORK MANAGER software
- Suitable for PROFINET and EtherNet/IP™ networks

Commercial data

| | |
|--------------------------------------|---------------|
| Item number | 1043416 |
| Packing unit | 1 pc |
| Minimum order quantity | 1 pc |
| Sales key | DNN122 |
| Product key | DNN122 |
| GTIN | 4055626611617 |
| Weight per piece (including packing) | 1,270 g |
| Weight per piece (excluding packing) | 1,035 g |
| Customs tariff number | 85176200 |
| Country of origin | DE |

FL SWITCH 2416 - Industrial Ethernet Switch




1043416

<https://www.phoenixcontact.com/gb/products/1043416>

Technical data

Dimensions

| | |
|---------------------|--|
| Dimensional drawing |  |
| Width | 214 mm |
| Height | 113 mm |
| Depth | 67 mm |

Notes

| | |
|---------|--|
| General | Support by phone or on-site (fee is charged) |
|---------|--|

Material specifications

| | |
|---------------------|--|
| Material base plate | Die-cast aluminum, corrosion-resistant |
| Housing material | Stainless steel 1.4301 |

Mounting

| | |
|---------------|-------------------|
| Mounting type | DIN rail mounting |
|---------------|-------------------|

Interfaces

Ethernet (RJ45)

| | |
|-------------------------------|-----------------------------------|
| Connection method | RJ45 |
| Note on the connection method | Auto negotiation and autocrossing |
| Transmission speed | 10/100 Mbps |
| Transmission physics | Copper |
| Transmission length | 100 m (per segment) |
| Signal LEDs | Data receive, link status |
| No. of channels | 16 (RJ45 ports) |

Product properties

| | |
|--------------------|--|
| Type | Block design |
| Product type | Switch |
| Product family | Managed Switch 2000 |
| MTTF | 238.46 Years (SN 29500 standard, temperature 25°C, operating cycle 21%) 137.07 Years (SN 29500 standard, temperature 40°C, operating cycle 34.25%) 21.04 Years (SN 29500 standard, temperature 70°C, operating cycle 100%) |
| Special properties | Extended temperature range |
| Signal delay | ≥ 6.5 μs (Store and Forward mode, 10/100 Mbps, depending on the frame size) |

FL SWITCH 2416 - Industrial Ethernet Switch



1043416

<https://www.phoenixcontact.com/gb/products/1043416>

Insulation characteristics

| | |
|---------------------|----------------|
| Protection class | III (VDE 0106) |
| Degree of pollution | 2 |

Switch functions

| | |
|----------------------------------|---|
| Diagnostic functions | RMON History |
| | LLDP (Link Layer Discovery Protocol) |
| | SNMP-Traps |
| | N:1-Portmirroring |
| | ACD (Address Conflict Detection) |
| | SysLog |
| | CRC-Surveillance |
| Basic functions | Store-and-forward switch, complies with IEEE 802.3 |
| Signal contact control voltage | typ. 24 V DC |
| PROFINET conformance class | Conformance-Class B |
| PROFINET device function | PROFINET device |
| | Fast Startup |
| Filter functions | Quality of Service (8 priority classes) |
| | Class of Service |
| | DiffServ/DSCP |
| | Port-Priorisierung |
| | VLAN (up to 32 VLANs) |
| | IGMP Snooping/Querier (v1/v2) |
| | Auto-Query-Port |
| | Extended Multicast Filtering |
| IP parameterization | DHCP-Client |
| | DHCP Option 82 (Relay Agent) |
| | DHCP server (pool-based, port-based) |
| | BootP |
| | DCP (Discovery and Configuration Protocol) |
| MAC address table | 8k |
| Management | Web-based management (HTTP/HTTPS) |
| | Role-based user management (LDAP, RADIUS) |
| | SNMPv1/v2/v3 |
| | Command Line Interface (Telnet, SSH) |
| Redundancy | MRP (Media Redundancy Protocol) |
| | RSTP (Rapid Spanning Tree Protocol) |
| | FRD (Fast Ring Detection) |
| | Large Tree Support |
| | LACP (Link Aggregation Control Protocol) |
| | PROFINET S2 system redundancy |
| Status and diagnostic indicators | LEDs: US1, US2 (power supply), Fail (alarm contact), 2 LEDs per Ethernet port (Link/Activity and Speed) |
| Additional functions | Transmission of MMS and GOOSE (IEC 61850-8-1) |

FL SWITCH 2416 - Industrial Ethernet Switch



1043416

<https://www.phoenixcontact.com/gb/products/1043416>

| | |
|----------------------|--|
| | Transmission of Modbus/TCP |
| Time synchronization | SNTP (Simple Network Time Protocol) |
| Security functions | |
| Port security | MAC-based, RADIUS (IEEE 802.1X), MAC Authentication Bypass |
| Basic functions | Store-and-forward switch, complies with IEEE 802.3 |

Electrical properties

| | |
|---|--|
| Local diagnostics | US1/2 Supply voltage US1, US2 Green LED |
| | FAIL Div. LED red |
| | LNK/ACT Link status Green LED |
| | SPD Data transmission speed Green LED |
| Maximum power dissipation for nominal condition | 7.52 W ($U_S = \max$, $T_{amb} = \max$) |
| Test voltage | 500 V DC |
| Test section | for one minute 500 V DC |
| Transmission medium | Copper |

Supply

| | |
|-----------------------------|--|
| Supply voltage (DC) | 24 V DC (redundant) |
| Supply voltage range | 19.2 V DC ... 32 V DC |
| Power supply connection | Via COMBICON, max. conductor cross section 2.5 mm ² |
| Residual ripple | 3.6 V _{PP} (within the permitted voltage range) |
| Max. current consumption | 390 mA ($U_S = \min$, $T_{amb} = \max$) |
| Typical current consumption | 280 mA (at $U_S = 24$ V DC and 25 °C ambient temperature) |

Function

| | |
|--------------------------------|--------------|
| Signal contact control voltage | typ. 24 V DC |
|--------------------------------|--------------|

Connection data

| | |
|-----------------------------------|---|
| Connection method | Push-in spring connection |
| Note on the connection method | Use only copper connecting cables providing the permitted temperature range (-40 °C ... 75 °C). |
| Conductor cross section, rigid | 0.2 mm ² ... 1.5 mm ² |
| Conductor cross section, flexible | 0.2 mm ² ... 2.5 mm ² |
| Conductor cross section AWG | 24 ... 16 |
| Stripping length | 10 mm |

Environmental and real-life conditions

Ambient conditions

| | |
|--|--------------------------------|
| Degree of protection | IP20 |
| Ambient temperature (operation) | -40 °C ... 70 °C |
| Ambient temperature (storage/transport) | -40 °C ... 85 °C |
| Permissible humidity (operation) | 10 % ... 95 % (non-condensing) |
| Permissible humidity (storage/transport) | 10 % ... 95 % (non-condensing) |
| Shock (operation) | 30g (EN 60068-2-27) |

FL SWITCH 2416 - Industrial Ethernet Switch



1043416

<https://www.phoenixcontact.com/gb/products/1043416>

| | |
|----------------------------------|---|
| Vibration (operation) | in acc. with IEC 60068-2-6: 5g, 150 Hz |
| Air pressure (operation) | 79 kPa ... 108 kPa up to 2000 m above mean sea level (Without derating) |
| Air pressure (storage/transport) | 79 kPa ... 108 kPa up to 2000 m above mean sea level (Without derating) |

Standards and regulations

| | |
|---|-----|
| Free from substances that could impair the application of coating | Yes |
|---|-----|

Approvals

UL, USA/Canada

| | |
|----------------|-------|
| Identification | cULus |
|----------------|-------|

Corrosive gas test

| | |
|----------------|----------------------------------|
| Identification | ISA S71.04.2013 G3 Harsh Group A |
|----------------|----------------------------------|

DNV GL data

| | |
|-------------|---|
| Temperature | B |
| Humidity | B |
| Vibration | A |
| EMC | B |
| Enclosure | Required protection according to the Rules shall be provided upon installation on board |

EMC data

| | |
|---------------------------------|--|
| Conformance with EMC directives | EN 61000-6-2 EN 61000-4-2 (ESD) Criterion B |
| | EN 61000-6-2 EN 61000-4-3 (electromagnetic fields) Criterion A |
| | EN 61000-6-2 EN 61000-4-4 (EFT burst) Criterion A |
| | EN 61000-6-2 EN 61000-4-5 (surge) Criterion A |
| | EN 61000-6-2 EN 61000-4-6 (line noise immunity) Criterion A |
| | EN 61000-6-2 EN 61000-6-4 (interference) Class A |
| | EN 61000-6-2 EN 61000-6-4 (conducted interference) Class A |
| Noise immunity | EN 61000-6-2 |
| Electromagnetic compatibility | Conformance with EMC Directive 2014/30/EU |
| Noise emission | EN 61000-6-4 |

System properties

Functionality

| | |
|-----------------|--|
| Basic functions | Store-and-forward switch, complies with IEEE 802.3 |
|-----------------|--|

Signaling

| | |
|----------------|---|
| Status display | LEDs: US1, US2 (power supply), Fail (alarm contact), 2 LEDs per Ethernet port (Link/Activity and Speed) |
|----------------|---|

FL SWITCH 2416 - Industrial Ethernet Switch

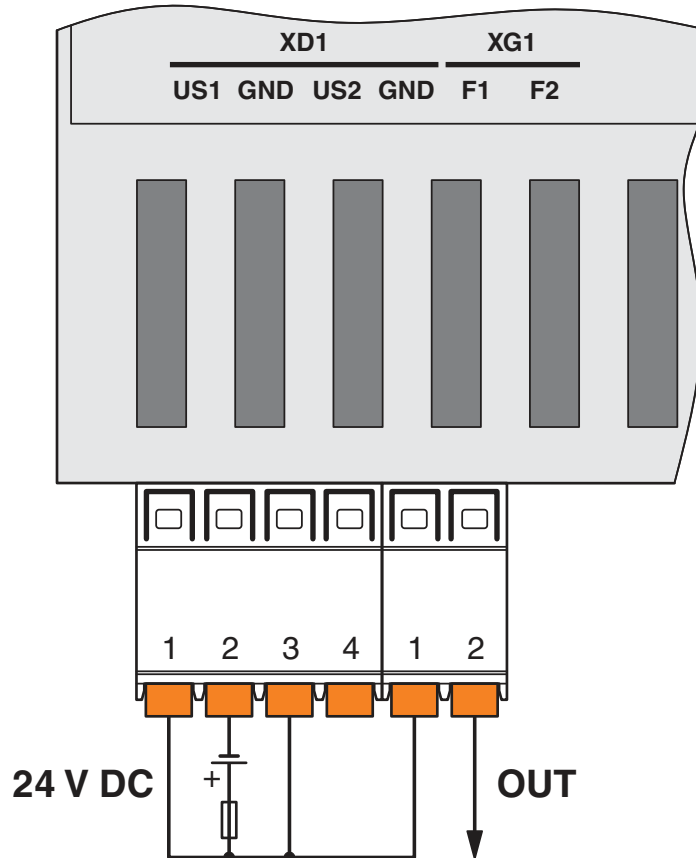


1043416

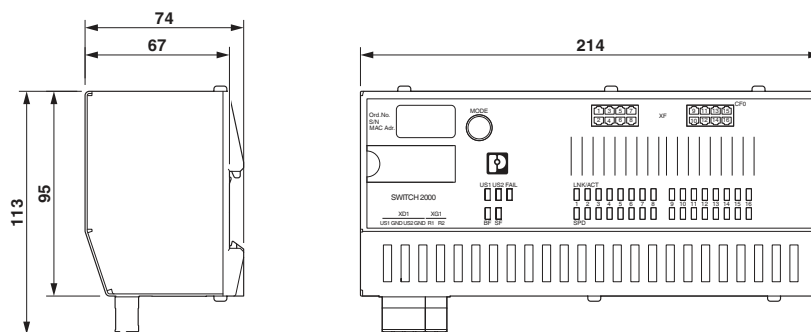
<https://www.phoenixcontact.com/gb/products/1043416>

Drawings

Connection diagram



Dimensional drawing



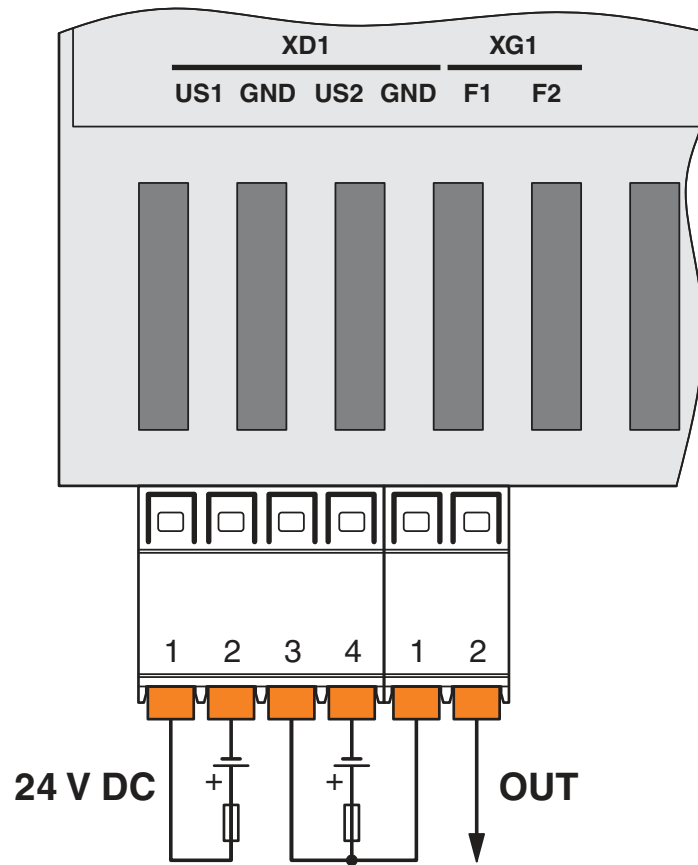
FL SWITCH 2416 - Industrial Ethernet Switch

1043416

<https://www.phoenixcontact.com/gb/products/1043416>



Connection diagram



FL SWITCH 2416 - Industrial Ethernet Switch



1043416

<https://www.phoenixcontact.com/gb/products/1043416>

Approvals

To download certificates, visit the product detail page: <https://www.phoenixcontact.com/gb/products/1043416>



EAC

Approval ID: RU D-DE.GB09.B.00312



DNV GL

Approval ID: TAA00000YV



LR

Approval ID: LR22250919TA



BV

Approval ID: 48146/A1 BV



UL Listed

Approval ID: FILE E 238705



cUL Listed

Approval ID: FILE E 238705



KC

Approval ID: R-R-PCK-1043416

BSH

Approval ID: 1045

ABS

Approval ID: 21-2066186-PDA



RINA

Approval ID: ELE162721XG



cUL Listed

Approval ID: FILE E 238705

FL SWITCH 2416 - Industrial Ethernet Switch



1043416

<https://www.phoenixcontact.com/gb/products/1043416>



UL Listed

Approval ID: FILE E 238705

FL SWITCH 2416 - Industrial Ethernet Switch



1043416

<https://www.phoenixcontact.com/gb/products/1043416>

Classifications

ECLASS

| | |
|-------------|----------|
| ECLASS-11.0 | 19170401 |
| ECLASS-12.0 | 19170401 |
| ECLASS-13.0 | 19170401 |

ETIM

| | |
|----------|----------|
| ETIM 8.0 | EC000734 |
|----------|----------|

UNSPSC

| | |
|-------------|----------|
| UNSPSC 21.0 | 43222600 |
|-------------|----------|

FL SWITCH 2416 - Industrial Ethernet Switch



1043416

<https://www.phoenixcontact.com/gb/products/1043416>

Environmental product compliance

| | |
|------------|--|
| REACH SVHC | Lead 7439-92-1 |
| China RoHS | Environmentally Friendly Use Period = 50 years |
| | For information on hazardous substances, refer to the manufacturer's declaration available under "Downloads" |

FL SWITCH 2416 - Industrial Ethernet Switch



1043416

<https://www.phoenixcontact.com/gb/products/1043416>

Accessories

SD FLASH 2GB - Program / configuration memory

2988162

<https://www.phoenixcontact.com/gb/products/2988162>



Program and configuration memory, for extending the internal flash memory, pluggable, 2 GB.

FL NETWORK MANAGER BASIC - Network management software

2702889

<https://www.phoenixcontact.com/gb/products/2702889>



SNMP-based software for easy commissioning and monitoring of network components such as switches, routers, and WLAN access points

FL SWITCH 2416 - Industrial Ethernet Switch



1043416

<https://www.phoenixcontact.com/gb/products/1043416>

FL DIN RA - DIN rail adapter

2891053

<https://www.phoenixcontact.com/gb/products/2891053>

The FL DIN RA is installed in a standard, 19-inch rack (EIA-310-D, IEC 60297-3-100) to allow DIN rail mounted equipment to be rack mounted.



FL RJ45 PROTECT CAP - Dust protection

2832991

<https://www.phoenixcontact.com/gb/products/2832991>

Dust protection caps for RJ45 socket



FL SWITCH 2416 - Industrial Ethernet Switch



1043416

<https://www.phoenixcontact.com/gb/products/1043416>

E/NS 35 N - End clamp

0800886

<https://www.phoenixcontact.com/gb/products/0800886>

End clamp, width: 9.5 mm, color: gray



FL CAT5 PATCH 0,5 - Patch cable

2832263

<https://www.phoenixcontact.com/gb/products/2832263>

Patch cable, CAT5, assembled, 0.5 m



FL SWITCH 2416 - Industrial Ethernet Switch

1043416

<https://www.phoenixcontact.com/gb/products/1043416>

FL CAT5 PATCH 1,0 - Patch cable

2832276

<https://www.phoenixcontact.com/gb/products/2832276>

Patch cable, CAT5, assembled, 1 m



FL CAT5 PATCH 2,0 - Patch cable

2832289

<https://www.phoenixcontact.com/gb/products/2832289>

Patch cable, CAT5, assembled, 2 m



FL SWITCH 2416 - Industrial Ethernet Switch



1043416

<https://www.phoenixcontact.com/gb/products/1043416>

NBC-R4AC-R4AC-IE8A/.../... - Patch cable

1411854

<https://www.phoenixcontact.com/gb/products/1411854>



Patch cable, degree of protection: IP20, number of positions: 8, 10 Gbps, CAT6_A, cable outlet: straight, Ethernet

NBC-R4AC/10G-R4AC/10G-94F/2,0 - Patch cable

1408360

<https://www.phoenixcontact.com/gb/products/1408360>



Patch cable, CAT6_A, 4-pair, shielded, connection not crossed (line), assembled at both ends with RJ45/IP20 connectors, outer sheath material: PUR, length: 2.0 m

FL SWITCH 2416 - Industrial Ethernet Switch



1043416

<https://www.phoenixcontact.com/gb/products/1043416>

NBC-R4AC/10G-R4AC/10G-94F/3,0 - Patch cable

1408365

<https://www.phoenixcontact.com/gb/products/1408365>



Patch cable, CAT6_A, 4-pair, shielded, connection not crossed (line), assembled at both ends with RJ45/IP20 connectors, outer sheath material: PUR, length: 3.0 m

NBC-R4AC/1,0-93B/R4AC - Patch cable

1408968

<https://www.phoenixcontact.com/gb/products/1408968>



Patch cable, degree of protection: IP20, cable length: 1 m, number of positions: 4, 100 Mbps, CAT5, material: PA 6.6, PROFINET

FL SWITCH 2416 - Industrial Ethernet Switch



1043416

<https://www.phoenixcontact.com/gb/products/1043416>

NBC-R4AC/2,0-93B/R4AC - Patch cable

1408969

<https://www.phoenixcontact.com/gb/products/1408969>



Patch cable, degree of protection: IP20, cable length: 2 m, number of positions: 4, 100 Mbps, CAT5, material: PA 6.6, PROFINET

NBC-R4AC/5,0-93B/R4AC - Patch cable

1408970

<https://www.phoenixcontact.com/gb/products/1408970>



Patch cable, degree of protection: IP20, cable length: 5 m, number of positions: 4, 100 Mbps, CAT5, material: PA 6.6, PROFINET

FL SWITCH 2416 - Industrial Ethernet Switch



1043416

<https://www.phoenixcontact.com/gb/products/1043416>

FKCN 2,5/ 2-ST GY7035 BD:1-2 - PCB connector

1082048

<https://www.phoenixcontact.com/gb/products/1082048>



PCB connector, nominal cross section: 2.5 mm², color: light grey, nominal current: 12 A, rated voltage (III/2): 320 V, contact surface: Tin, contact connection type: Socket, number of rows: 1, number of positions: 2, product range: FKCN 2,5/...-ST, pitch: 5 mm, connection method: Push-in spring connection, conductor/PCB connection direction: 0 °, locking clip: - Locking clip, plug-in system: COMBICON MSTB 2,5, locking: Screw locking mechanism, mounting: Screw flange, type of packaging: packed in cardboard

FKCN 2,5/ 4-ST GY7035 BD:1-4 - PCB connector

1082059

<https://www.phoenixcontact.com/gb/products/1082059>



PCB connector, nominal cross section: 2.5 mm², color: light grey, nominal current: 12 A, rated voltage (III/2): 320 V, contact surface: Tin, contact connection type: Socket, number of rows: 1, number of positions: 4, product range: FKCN 2,5/...-ST, pitch: 5 mm, connection method: Push-in spring connection, conductor/PCB connection direction: 0 °, locking clip: - Locking clip, plug-in system: COMBICON MSTB 2,5, locking: without, mounting: without, type of packaging: packed in cardboard

FL SWITCH 2416 - Industrial Ethernet Switch



1043416

<https://www.phoenixcontact.com/gb/products/1043416>

VS-08-RJ45-5-Q/IP20 - RJ45 connector

1656725

<https://www.phoenixcontact.com/gb/products/1656725>



RJ45 connector, design: RJ45, degree of protection: IP20, number of positions: 8, 1 Gbps, CAT5, material: Plastic, connection method: Insulation displacement connection, connection cross section: AWG 26- 23, cable outlet: straight, color: traffic grey A RAL 7042, Ethernet

Phoenix Contact 2023 © - all rights reserved

<https://www.phoenixcontact.com>

PHOENIX CONTACT Ltd

Halesfield 13, Telford

Shropshire, TF7 4PG

01952 681700

info@phoenixcontact.co.uk