

RAD-EE-2400-RS485 - Wireless module



1081818

<https://www.phoenixcontact.com/gb/products/1081818>

Please be informed that the data shown in this PDF document is generated from our online catalog. Please find the complete data in the user documentation. Our general terms of use for downloads are valid.



2.4 GHz wireless transceiver with RS-485 interface, RSMA (female) antenna connection, point-to-point, star, and mesh networks up to 250 stations, range of up to 500 m (with a clear line of sight), for worldwide use

Product description

Due to high-frequency switching operations in PV systems, interference commonly occurs on communication cables. This means that interference-free monitoring of PV systems cannot always be ensured. Wireless communication in the 2.4 GHz band is immune to electromagnetic interference and is therefore ideal for use in PV systems. Using the new wireless modules, serial RS-485 cables can be easily and flexibly replaced with a secure, interference-free wireless connection.

Your advantages

- Flexible networking of wireless modules as a point-to-point, star or mesh connection
- Parallel operation of multiple PV arrays, thanks to comprehensive coexistence mechanisms
- Reliable, interference-free communication even over long distances, thanks to Trusted Wireless technology
- Intuitive startup, thanks to user-friendly software wizard
- License-free 2.4 GHz frequency band
- Reasonably-priced version

Commercial data

Item number	1081818
Packing unit	1 pc
Minimum order quantity	50 pc
Sales key	DNC614
Product key	DNC614
GTIN	4055626810065
Weight per piece (including packing)	138.1 g
Weight per piece (excluding packing)	110 g
Customs tariff number	85176200
Country of origin	DE

Technical data

Notes

Utilization restriction

EMC note	EMC: class A product, see manufacturer's declaration in the download area
----------	---

Product properties

Product type	Wireless module
Application	RS-485
Operating mode	Serial data (Activation and configuration via PSI-CONF software)
MTTF	778 Years (SN 29500 standard, temperature 25°C, operating cycle 21%)
	358 Years (SN 29500 standard, temperature 40°C, operating cycle 34.25%)
	142 Years (SN 29500 standard, temperature 40°C, operating cycle 100%)

Insulation characteristics

Overvoltage category	II
Degree of pollution	2

Electrical properties

Transient surge protection	Yes
----------------------------	-----

System limits

Designation	Wireless module
Number of supported devices	≤ 250 (Addressing via PSI-CONF software)

Supply

Supply voltage	24 V DC
Supply voltage range	19.2 V DC ... 30.5 V DC
Max. current consumption	≤ 48 mA (at 24 V DC, at 25 °C)

Connection data

Connection method	Screw connection
Stripping length	7 mm
Conductor cross section, rigid min.	0.2 mm ²
Conductor cross section, rigid max.	2.5 mm ²
Conductor cross section flexible min.	0.2 mm ²
Conductor cross section flexible max.	2.5 mm ²
Conductor cross section AWG min.	24
Conductor cross section AWG max.	14

Interfaces

RAD-EE-2400-RS485 - Wireless module



1081818

<https://www.phoenixcontact.com/gb/products/1081818>

Wireless

Range	± 500 m (The range may be considerably above or below that stated, and depends on the environment, antenna technology, and the product used)
-------	--

Serial: RS-485

Data rate	300 bps / 600 bps / 1.2 kbps / 2.4 kbps / 4.8 kbps / 9.6 kbps / 19.2 kbps / 38.4 kbps / 57.6 kbps / 93.75 kbps / 115.2 kbps
Connection method	COMBICON plug-in screw terminal block
Connection technology	2-conductor
Transmission length	≤ 1200 m
Termination resistor	390 Ω (switchable via DIP switches) 150 Ω (switchable via DIP switches) 390 Ω (switchable via DIP switches)

Serial: Configuration interface

Connection method	S-PORT (socket)
-------------------	-----------------

Wireless

Interface description	Trusted Wireless
Direction	Bi-directional
Frequency	2400 MHz
Frequency range	2.4002 GHz ... 2.4785 GHz
Channel distance	1.3 MHz
Number of channel groups	8
Number of channels per group	55
Transmit capacity, minimum	0 dBm
Transmit capacity, maximum	≤ 18 dBm (can be set via software)
Data rate	16 kbps (adjustable) 125 kbps (Default setting, adjustable) 250 kbps (adjustable)
Minimum receiver sensitivity	-106 dBm (16 kbps) -96 dBm (125 kbps) -93 dBm (250 kbps)
Antenna connection method	RSMA (female)

Functions

Wireless licenses	Europe, USA, Canada, additional countries in the e-shop
-------------------	---

Wireless

Frequency band	2.4 GHz
Wireless standard	Trusted Wireless

Signaling

Status display	Green LED (supply voltage, PWR) LED yellow (reception quality, LINK) Green LED (receive data, RX)
----------------	---

RAD-EE-2400-RS485 - Wireless module



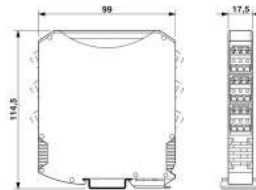
1081818

<https://www.phoenixcontact.com/gb/products/1081818>

Green LED (transmit data, TX)

Dimensions

Dimensional drawing



Width	17.5 mm
Height	116 mm
Depth	114.5 mm

Material specifications

Material	PA 6.6-FR
Flammability rating according to UL 94	V0
Material	PA 6.6-FR

Environmental and real-life conditions

Ambient conditions

Degree of protection	IP20
Ambient temperature (operation)	-20 °C ... 70 °C -4 °F ... 158 °F
Ambient temperature (storage/transport)	-20 °C ... 70 °C -4 °F ... 158 °F
Altitude	2000 m
Permissible humidity (operation)	20 % ... 85 %
Permissible humidity (storage/transport)	20 % ... 85 %
Shock	16g, 11 ms
Vibration (operation)	in accordance with IEC 60068-2-6: 5g, 10 Hz ... 150 Hz

Approvals

CE

Certificate	CE-compliant
-------------	--------------

UL, USA/Canada

Identification	508 Listed
----------------	------------

Wireless approval, Europe

Note	RED 2014/53/EU
------	----------------

Wireless approval USA, FCC

Certificate	YG3RAD2400A
-------------	-------------

RAD-EE-2400-RS485 - Wireless module



1081818

<https://www.phoenixcontact.com/gb/products/1081818>

Note	FCC directive, part 15.247
Wireless approval Australia, RCM	
Certificate	-
Wireless approval Brazil, ANATEL	
Certificate	06279-19-06497
Wireless approval India, WPC	
Certificate	NER-ETA/314
Wireless approval Canada, IC	
Certificate	4720B-RAD2400A
Note	ISC directive RSS 210
Wireless approval Mexico, IFT	
Certificate	RCPHRA20-0068
KC approval for South Korea	
Certificate	MSIP-CRI-PCK-2901541

EMC data

Electromagnetic compatibility	Conformance with RED Directive 2014/53/EU
Electrostatic discharge	
Standards/regulations	EN 61000-4-2
Electrostatic discharge	
Contact discharge	± 6 kV (Test Level 3)
Discharge in air	± 8 kV (Test Level 3)
Indirect discharge	± 6 kV
Comments	Criterion B
Electromagnetic HF field	
Standards/regulations	EN 61000-4-3
Electromagnetic HF field	
Frequency range	26 MHz ... 3 GHz (Test Level 3)
Field intensity	10 V/m
Comments	Criterion A
Fast transients (burst)	
Standards/regulations	EN 61000-4-4
Fast transients (burst)	
Input	± 2 kV (Test Level 3)
Signal	± 2 kV
Comments	Criterion B

Surge current load (surge)

RAD-EE-2400-RS485 - Wireless module



1081818

<https://www.phoenixcontact.com/gb/products/1081818>

Standards/regulations	EN 61000-4-5
-----------------------	--------------

Surge current load (surge)

Input	± 0.5 kV (symmetrical)
	± 1 kV (asymmetrical)
Signal	± 1 kV (asymmetrical)
Comments	Criterion B

Conducted interference

Standards/regulations	EN 61000-4-6
-----------------------	--------------

Conducted interference

Frequency range	0.15 MHz ... 80 MHz
Comments	Criterion A
Voltage	10 V

Emitted interference

Emitted radio interference in acc. with EN 55011	EN 55016-2-3 Class A industrial applications
--	--

Criteria

Criterion A	Normal operating behavior within the specified limits.
Criterion B	Temporary impairment to operational behavior that is corrected by the device itself.

Standards and regulations

Standard designation	RED directive 2014/53/EU
Standards/specifications	EN 300328
	EN 61000-6-4
	EN 61000-6-2
	EN 50371
	EN 60950-1

Mounting

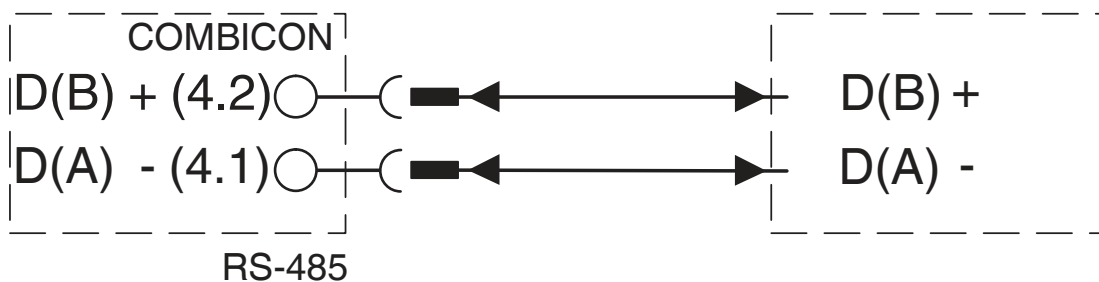
Mounting type	DIN rail mounting
Assembly instructions	on standard DIN rail NS 35 in accordance with EN 60715

1081818

<https://www.phoenixcontact.com/gb/products/1081818>

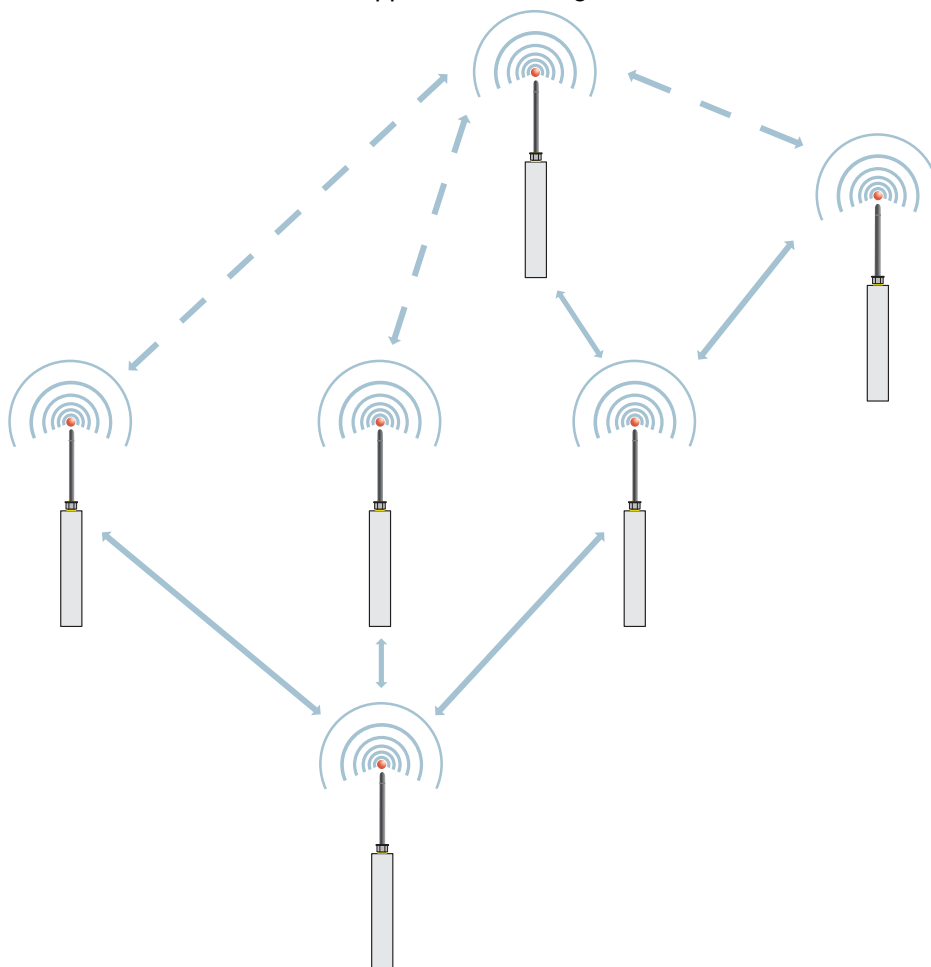
Drawings

Connection diagram



RS-485 connection

Application drawing



Mesh network

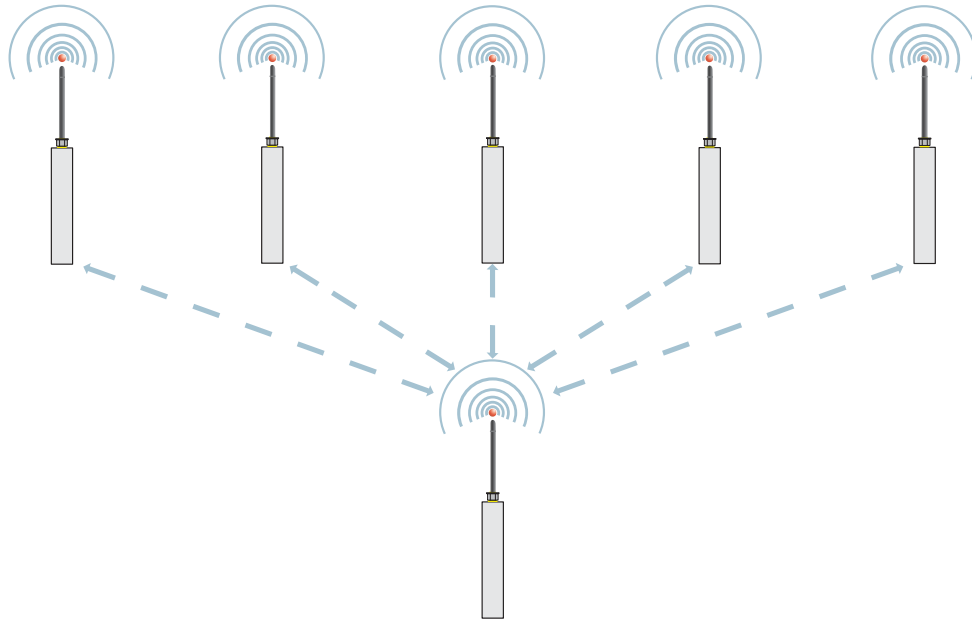
RAD-EE-2400-RS485 - Wireless module



1081818

<https://www.phoenixcontact.com/gb/products/1081818>

Application drawing



Star structure

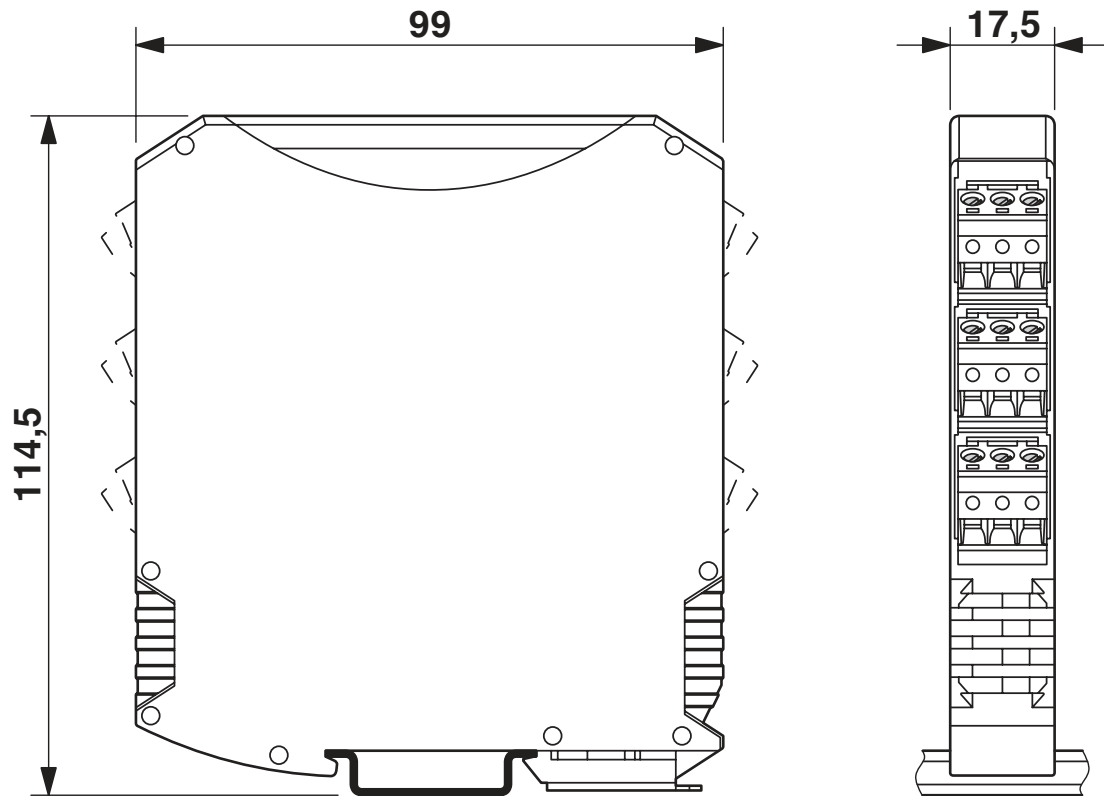
RAD-EE-2400-RS485 - Wireless module

1081818

<https://www.phoenixcontact.com/gb/products/1081818>



Dimensional drawing



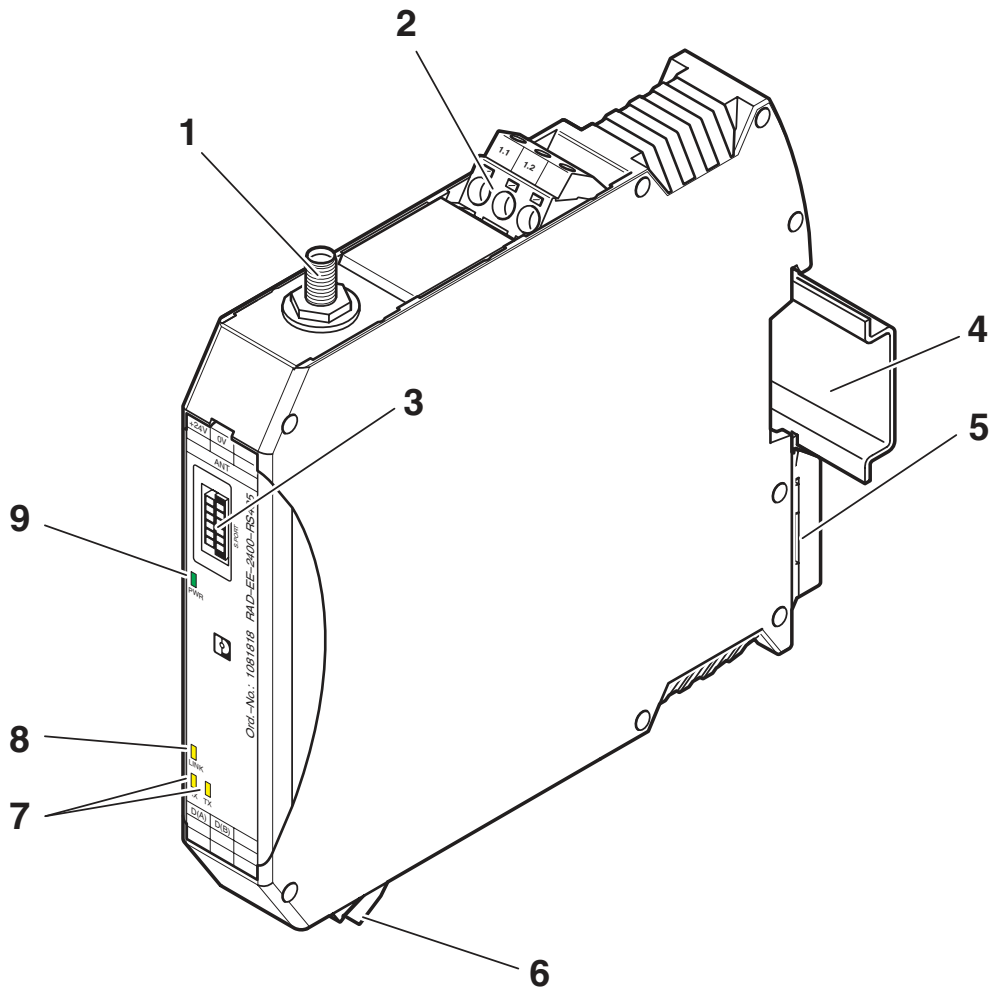
Slim design

RAD-EE-2400-RS485 - Wireless module

1081818

<https://www.phoenixcontact.com/gb/products/1081818>

Schematic diagram



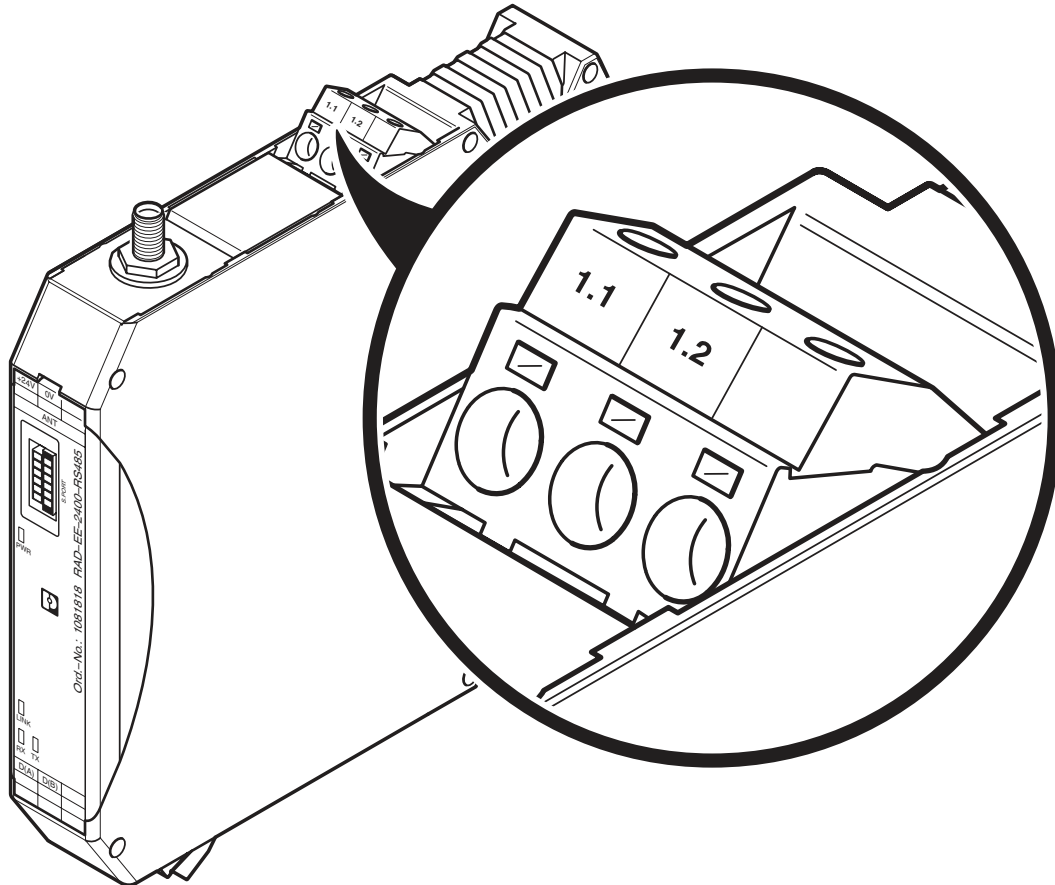
Function elements

RAD-EE-2400-RS485 - Wireless module

1081818

<https://www.phoenixcontact.com/gb/products/1081818>

Schematic diagram



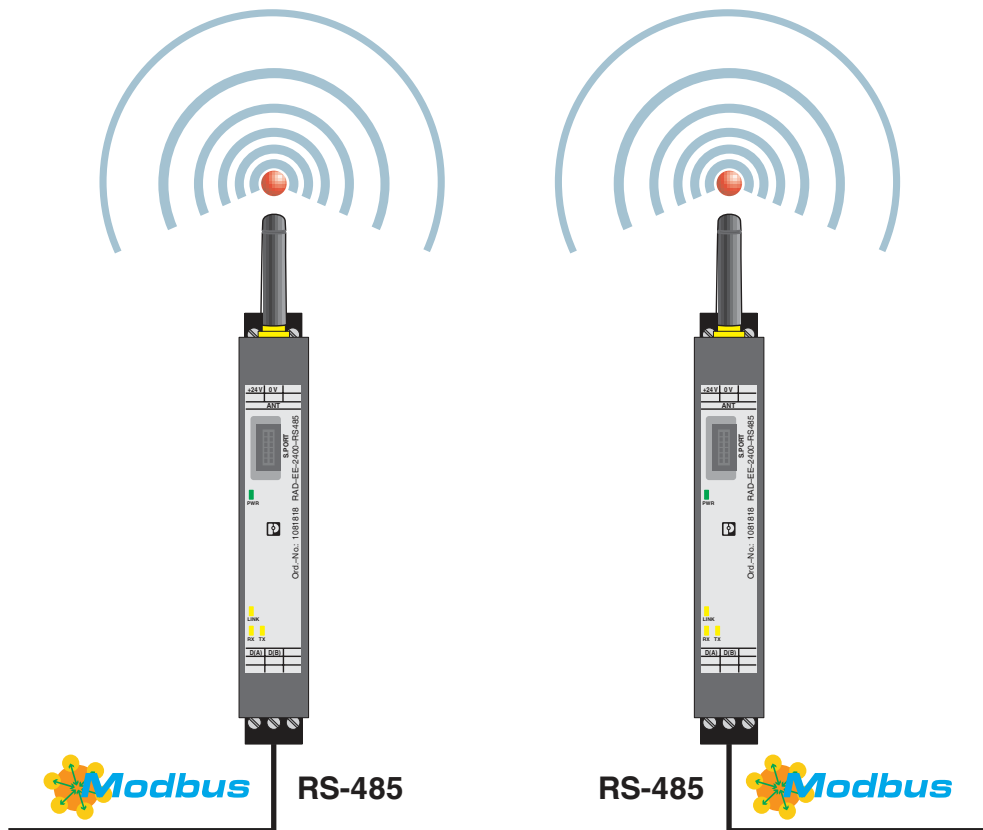
Power supply

RAD-EE-2400-RS485 - Wireless module

1081818

<https://www.phoenixcontact.com/gb/products/1081818>

Application drawing



Point-to-point connection

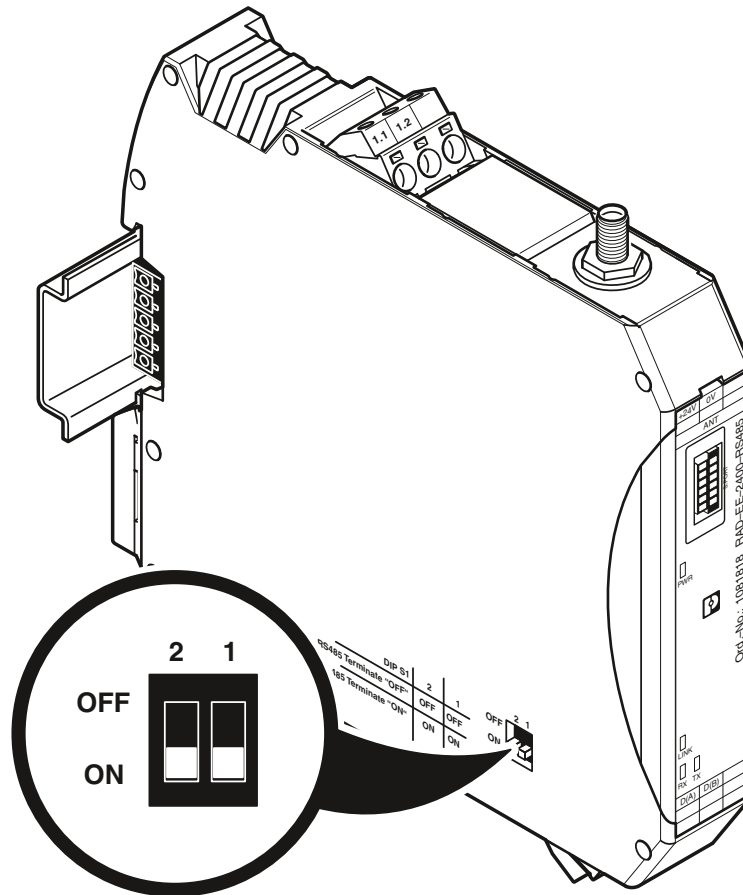
RAD-EE-2400-RS485 - Wireless module



1081818

<https://www.phoenixcontact.com/gb/products/1081818>

Schematic diagram



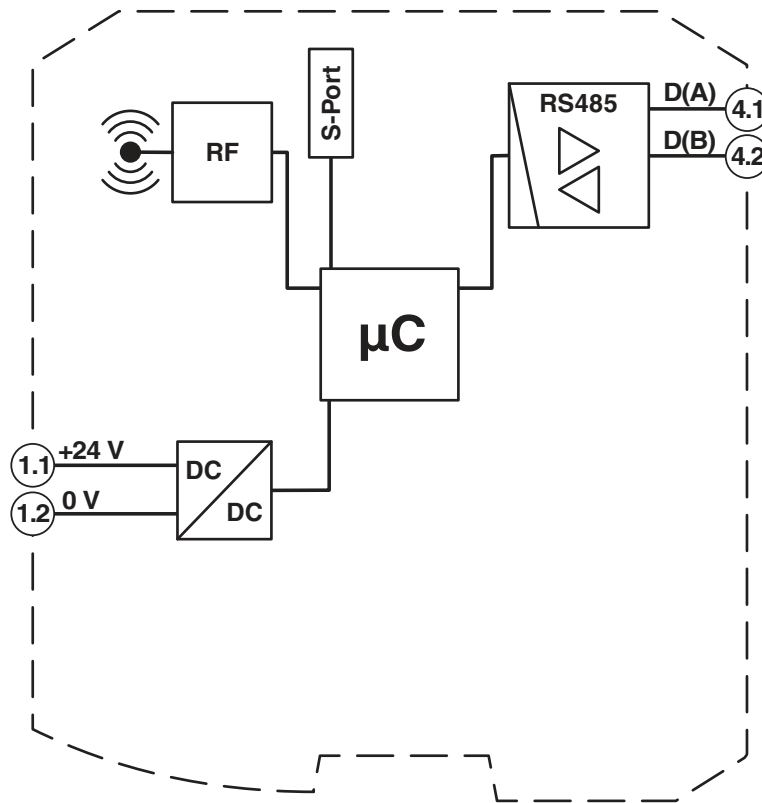
DIP switches

RAD-EE-2400-RS485 - Wireless module

1081818

<https://www.phoenixcontact.com/gb/products/1081818>

Block diagram



Basic circuit diagram

RAD-EE-2400-RS485 - Wireless module



1081818

<https://www.phoenixcontact.com/gb/products/1081818>

Approvals

To download certificates, visit the product detail page: <https://www.phoenixcontact.com/gb/products/1081818>



UL Listed

Approval ID: FILE E 238705



cUL Listed

Approval ID: FILE E 238705



KC

Approval ID: MSIP-CRI-PCK-2901541



cUL Listed

Approval ID: FILE E 238705



UL Listed

Approval ID: FILE E 238705

ANATEL

Approval ID: 06279-19-06497

cULus Listed

RAD-EE-2400-RS485 - Wireless module



1081818

<https://www.phoenixcontact.com/gb/products/1081818>

Classifications

ECLASS

ECLASS-11.0	19179090
ECLASS-12.0	19179090
ECLASS-13.0	19179090

ETIM

ETIM 8.0	EC002608
----------	----------

UNSPSC

UNSPSC 21.0	43222600
-------------	----------

RAD-EE-2400-RS485 - Wireless module



1081818

<https://www.phoenixcontact.com/gb/products/1081818>

Environmental product compliance

REACH SVHC	Lead 7439-92-1
China RoHS	Environmentally Friendly Use Period = 50 years
	For information on hazardous substances, refer to the manufacturer's declaration available under "Downloads"

RAD-EE-2400-RS485 - Wireless module



1081818

<https://www.phoenixcontact.com/gb/products/1081818>

Accessories

RAD-CABLE-USB - Cable for programming

2903447

<https://www.phoenixcontact.com/gb/products/2903447>



Radioline - USB data cable for communication between the PC and Radioline devices, energy supply for diagnostics and configuration via the USB port of the PC, cable length: 2 m / 6.5 ft

SCC 10-NS35 - Shield connection clamp

1019440

<https://www.phoenixcontact.com/gb/products/1019440>



Shield connection clamp, number of positions: 1, connection method: Spring-cage connection, mounting type: NS 35/7,5, NS 35/15, color: black

RAD-EE-2400-RS485 - Wireless module

1081818

<https://www.phoenixcontact.com/gb/products/1081818>



FL COMSERVER UNI 232/422/485 - Interface converters

2313452

<https://www.phoenixcontact.com/gb/products/2313452>



Second generation FL COMSERVER UNI..., serial device server for converting a serial 232/422/485 interface to Ethernet, supports TCP, UDP, Modbus gateway, and PPP applications, incl. COM port redirector software and user documentation

ANT-OMNI-2459-04 - Antenna

1284780

<https://www.phoenixcontact.com/gb/products/1284780>



Multiband omnidirectional antenna for freely mobile applications, compact design, frequency band: 2.4 GHz / 5 GHz / 6 GHz, gain: 2.0 dBi / 2.5 dBi / 3.0 dBi, degree of protection: IP68/IP69K, shock- and vibration-resistant, connection: N (male)

RAD-EE-2400-RS485 - Wireless module

1081818

<https://www.phoenixcontact.com/gb/products/1081818>



RAD-ISM-2400-ANT-OMNI-2-1-RSMA - Antenna

2701362

<https://www.phoenixcontact.com/gb/products/2701362>



Omnidirectional antenna for wall mounting, frequency band: 2.4 GHz, gain: 2 dBi, degree of protection: IP65, connection: RSMA (male), incl. 1.5 m connecting cable, mounting bracket, and mounting material

ANT-OMNI-0671-02 - Antenna

1396318

<https://www.phoenixcontact.com/gb/products/1396318>



Multiband omnidirectional antenna with protection against vandalism for control cabinet mounting, frequency band: 0.6 GHz ... 7.1 GHz, gain: 2 dBi ... 4 dBi, degree of protection: IP67, shockproof: IK10, seawater-resistant, connection: N (female)

RAD-EE-2400-RS485 - Wireless module



1081818

<https://www.phoenixcontact.com/gb/products/1081818>

ANT-OMNI-0671-01 - Antenna

1396316

<https://www.phoenixcontact.com/gb/products/1396316>



Multiband omnidirectional antenna for wall or mast mounting, 0.6 GHz ... 7.1 GHz, gain: 1 dBi ... 3 dBi, degree of protection: IP67, seawater-resistant, connection: N (female), incl. mounting bracket and mast clamps

RAD-ISM-2400-ANT-OMNI-6-0 - Antenna

2885919

<https://www.phoenixcontact.com/gb/products/2885919>



Omnidirectional antenna for wall or mast mounting, 2.4 GHz, gain: 6 dBi, degree of protection: IP67, saltwater-resistant, shock- and vibration-resistant, connection: N (female), incl. mounting bracket and mast clamps, ATEX and IECEx approval

RAD-EE-2400-RS485 - Wireless module

1081818

<https://www.phoenixcontact.com/gb/products/1081818>



RAD-PIG-EF316-N-RSMA - Antenna cable

2701402

<https://www.phoenixcontact.com/gb/products/2701402>

Antenna cable for control cabinet feed-through, outside diameter: 3.2 mm (0.126 in.), inner conductor: stranded, attenuation: 0.6 / 0.9 / 1.4 dB at 0.9 / 2.4 / 5.8 GHz, connection: N (female) -> RSMA (male), cable length: 0.5 m (1.6 ft.)



RAD-PIG-RSMA/N-0.5 - Antenna cable

2903263

<https://www.phoenixcontact.com/gb/products/2903263>

Antenna cable, outside diameter: 5 mm (0.2 in.), inner conductor: solid, attenuation: 0.4 / 0.5 / 0.6 dB at 0.9 / 2.4 / 5.8 GHz, connection: N (male) -> RSMA (male), cable length: 0.5 m (1.6 ft.)



RAD-EE-2400-RS485 - Wireless module

1081818

<https://www.phoenixcontact.com/gb/products/1081818>

RAD-PIG-RSMA/N-1 - Antenna cable

2903264

<https://www.phoenixcontact.com/gb/products/2903264>



Antenna cable, outside diameter: 5 mm (0.2 in.), inner conductor: solid, attenuation: 0.5 / 0.8 / 1.1 dB at 0.9 / 2.4 / 5.8 GHz, connection: N (male) -> RSMA (male), cable length: 1 m (3.3 ft.)

RAD-PIG-RSMA/N-2 - Antenna cable

2903265

<https://www.phoenixcontact.com/gb/products/2903265>



Antenna cable, outside diameter: 5 mm (0.2 in.), inner conductor: solid, attenuation: 0.9 / 1.3 / 2.0 dB at 0.9 / 2.4 / 5.8 GHz, connection: N (male) -> RSMA (male), cable length: 2 m (6.5 ft.)

RAD-EE-2400-RS485 - Wireless module

1081818

<https://www.phoenixcontact.com/gb/products/1081818>

RAD-PIG-RSMA/N-3 - Antenna cable

2903266

<https://www.phoenixcontact.com/gb/products/2903266>



Antenna cable, outside diameter: 5 mm (0.2 in.), inner conductor: solid, attenuation: 1.2 / 2.0 / 3.0 dB at 0.9 / 2.4 / 5.8 GHz, connection: N (male) -> RSMA (male), cable length: 3 m (10 ft.)

RAD-PIG-RSMA/N-5 - Antenna cable

2702140

<https://www.phoenixcontact.com/gb/products/2702140>



Antenna cable, outside diameter: 5 mm (0.2 in.), inner conductor: solid, attenuation: 2.0 / 3.3 / 4.8 dB at 0.9 / 2.4 / 5.8 GHz, connection: N (male) -> RSMA (male), cable length: 5 m (16 ft.)

RAD-EE-2400-RS485 - Wireless module



1081818

<https://www.phoenixcontact.com/gb/products/1081818>

RAD-CAB-EF393- 3M - Antenna cable

2867649

<https://www.phoenixcontact.com/gb/products/2867649>



Antenna cable, outside diameter: 10 mm (0.4 in.), inner conductor: stranded, attenuation: 1.0 / 1.8 / 3.1 dB at 0.9 / 2.4 / 5.8 GHz, connection: 2 x N (male), cable length: 3 m (10 ft.)

RAD-CAB-EF393- 5M - Antenna cable

2867652

<https://www.phoenixcontact.com/gb/products/2867652>



Antenna cable, outside diameter: 10 mm (0.4 in.), inner conductor: stranded, attenuation: 1.6 / 2.9 / 5.0 dB at 0.9 / 2.4 / 5.8 GHz, connection: 2 x N (male), cable length: 5 m (16 ft.)

RAD-EE-2400-RS485 - Wireless module



1081818

<https://www.phoenixcontact.com/gb/products/1081818>

RAD-CAB-EF393-10M - Antenna cable

2867665

<https://www.phoenixcontact.com/gb/products/2867665>



Antenna cable, outside diameter: 10 mm (0.4 in.), inner conductor: stranded, attenuation: 2.9 / 5.6 / 9.9 dB at 0.9 / 2.4 / 5.8 GHz, connection: 2 x N (male), cable length: 10 m (32 ft.)

RAD-CAB-EF393-15M - Antenna cable

2885634

<https://www.phoenixcontact.com/gb/products/2885634>



Antenna cable, outside diameter: 10 mm (0.4 in.), inner conductor: stranded, attenuation: 4.3 / 8.3 / 14.8 dB at 0.9 / 2.4 / 5.8 GHz, connection: 2 x N (male), cable length: 15 m (50 ft.)

RAD-EE-2400-RS485 - Wireless module

1081818

<https://www.phoenixcontact.com/gb/products/1081818>



CN-LAMBDA/4-5.9-BB - Surge protection device

2838490

<https://www.phoenixcontact.com/gb/products/2838490>



Attachment plug with Lambda/4 technology as surge protection for coaxial signal interfaces. Connection: N connectors socket-socket

RAD-ADP-N/F-N/F - Adapter

2867843

<https://www.phoenixcontact.com/gb/products/2867843>



Antenna adapter for control cabinet feed-through, frequency range: 0.3 GHz ... 6 GHz, degree of protection: IP65, connection: 2 x N (female)

RAD-EE-2400-RS485 - Wireless module

1081818

<https://www.phoenixcontact.com/gb/products/1081818>



RAD-ADP-RSMA/M-RSMA/F-90 - Adapter

2904790

<https://www.phoenixcontact.com/gb/products/2904790>



Antenna adapter, frequency range: 0.3 GHz ... 6 GHz, connection: RSMA (male)
-> RSMA (female), 90° angled

RAD-TAPE-SV-19-3 - Weather protection tape

2903182

<https://www.phoenixcontact.com/gb/products/2903182>



Vulcanizing sealing tape for external protection of adapters, cable connections,
etc. against the effects of weather, roll length: 3 m

Phoenix Contact 2023 © - all rights reserved
<https://www.phoenixcontact.com>

PHOENIX CONTACT Ltd
Halesfield 13, Telford
Shropshire, TF7 4PG
01952 681700
info@phoenixcontact.co.uk