

# ANT-OMNI-VAN-868-01 - Antenna

1090616

<https://www.phoenixcontact.com/gb/products/1090616>

Please be informed that the data shown in this PDF document is generated from our online catalog. Please find the complete data in the user documentation. Our general terms of use for downloads are valid.

Omnidirectional antenna with protection against vandalism for control cabinet mounting, frequency band: 868 MHz, gain: 2.5 dBi, degree of protection: IP67, shockproof: IK08, connection: N (female)



## Your advantages

- Ideally suited for freely mobile or stationary 868 MHz applications
- Impact-resistant housing (IK08)

## Commercial data

Item number	1090616
Packing unit	1 pc
Minimum order quantity	1 pc
Sales key	DNC6A2
Product key	DNC6A2
Catalog page	Page 390 (C-6-2019)
GTIN	4055626901220
Weight per piece (including packing)	160 g
Weight per piece (excluding packing)	160 g
Customs tariff number	85177100
Country of origin	TW

# ANT-OMNI-VAN-868-01 - Antenna

1090616

<https://www.phoenixcontact.com/gb/products/1090616>

## Technical data

### Product properties

Product type	Antenna
Radiation characteristics	Omnidirectional
Gain	2.5 dBi
Vertical beamwidth	55 °
Horizontal beamwidth	360 °
Polarization	Linear vertical

### Electrical properties

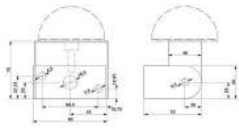
Frequency band	868 MHz
Frequency range	868 MHz ... 870 MHz
Impedance	50 Ω
Maximum capacity	1.00 W

### Connection data

#### Connection technology

Connection method	N (female)
-------------------	------------

### Dimensions

Dimensional drawing	
Height	40 mm
Diameter	80 mm

### Material specifications

Material	Polycarbonate PC
Material	Polycarbonate PC

### Cable/line

Connecting cable	No
------------------	----

### Environmental and real-life conditions

#### Ambient conditions

Degree of protection	IP67
Ambient temperature (operation)	-40 °C ... 85 °C
Ambient temperature (storage/transport)	-40 °C ... 85 °C

### Mounting

# ANT-OMNI-VAN-868-01 - Antenna



1090616

<https://www.phoenixcontact.com/gb/products/1090616>

Mounting type	Control cabinet
	Wall mounting
Assembly instructions	Outdoors and indoors
Connection method	N (female)

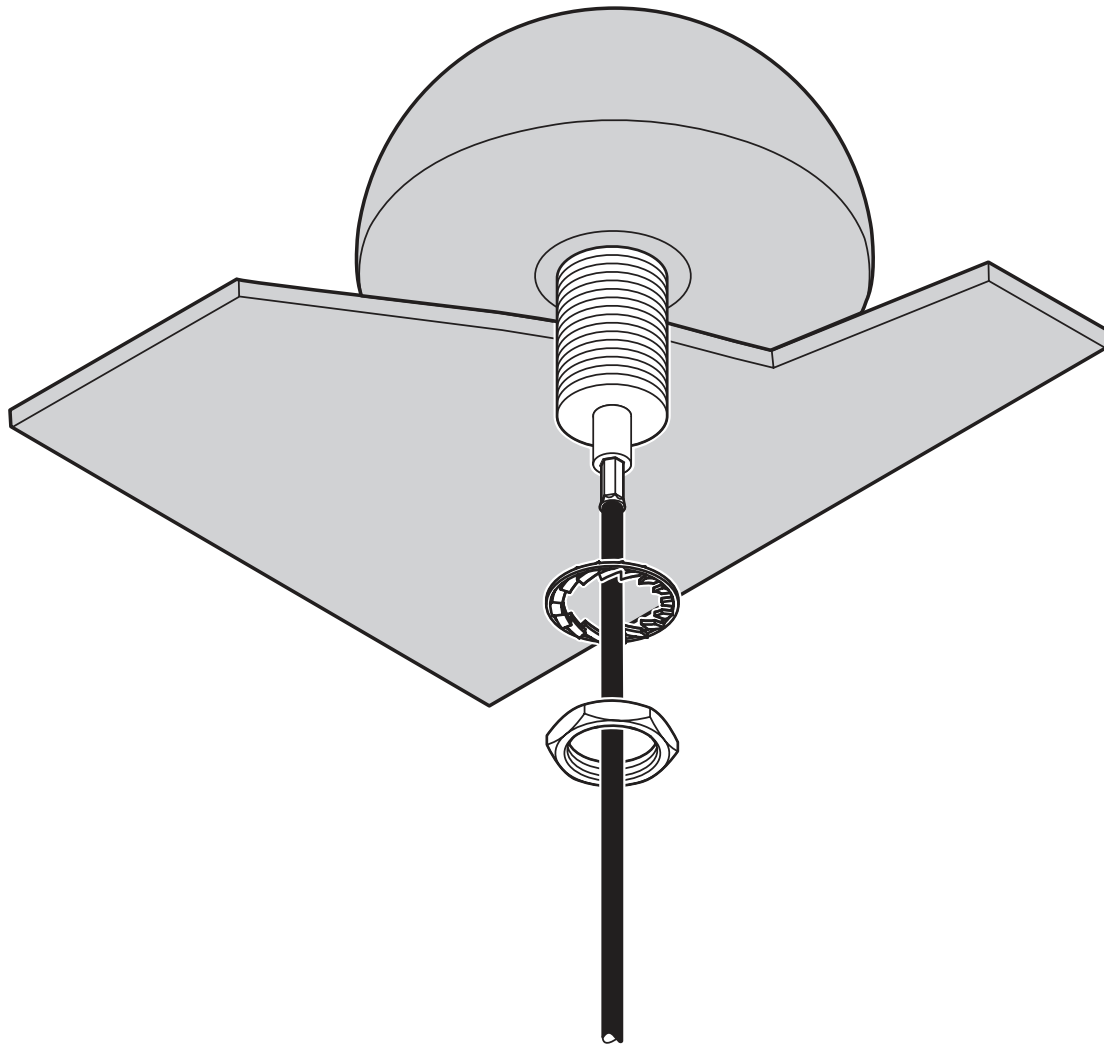
# ANT-OMNI-VAN-868-01 - Antenna

1090616

<https://www.phoenixcontact.com/gb/products/1090616>

## Drawings

Schematic diagram



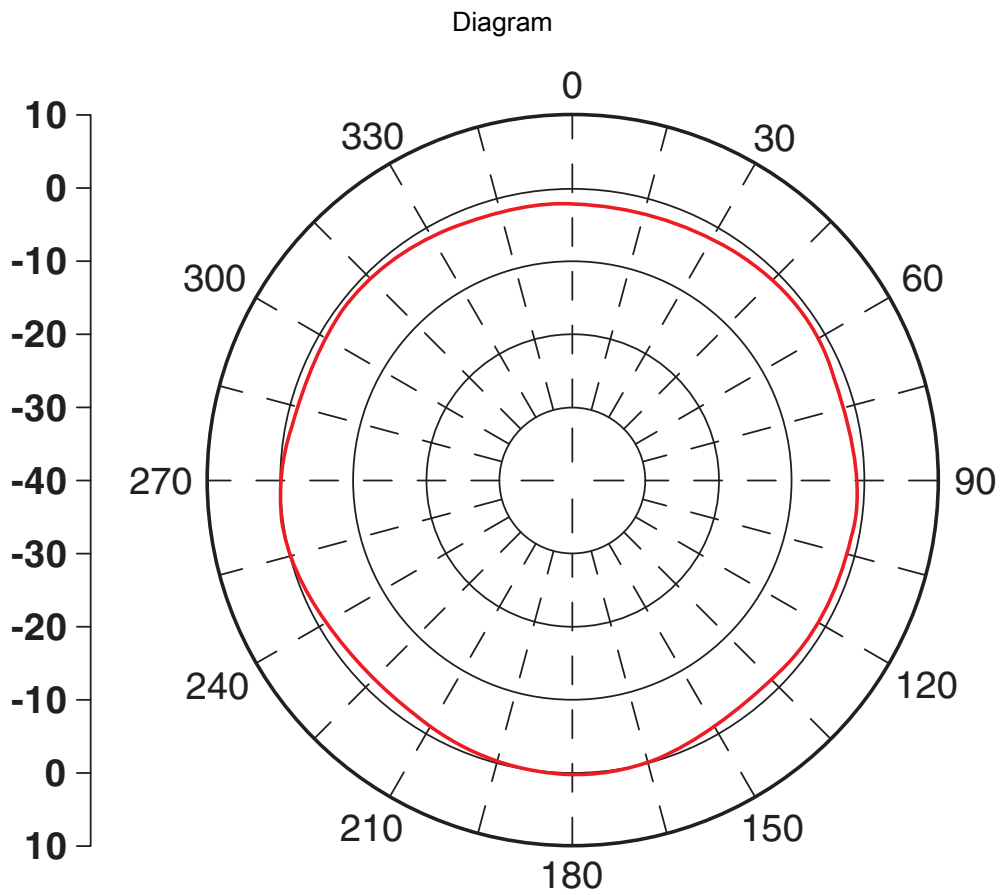
Mounting on the control cabinet

# ANT-OMNI-VAN-868-01 - Antenna



1090616

<https://www.phoenixcontact.com/gb/products/1090616>



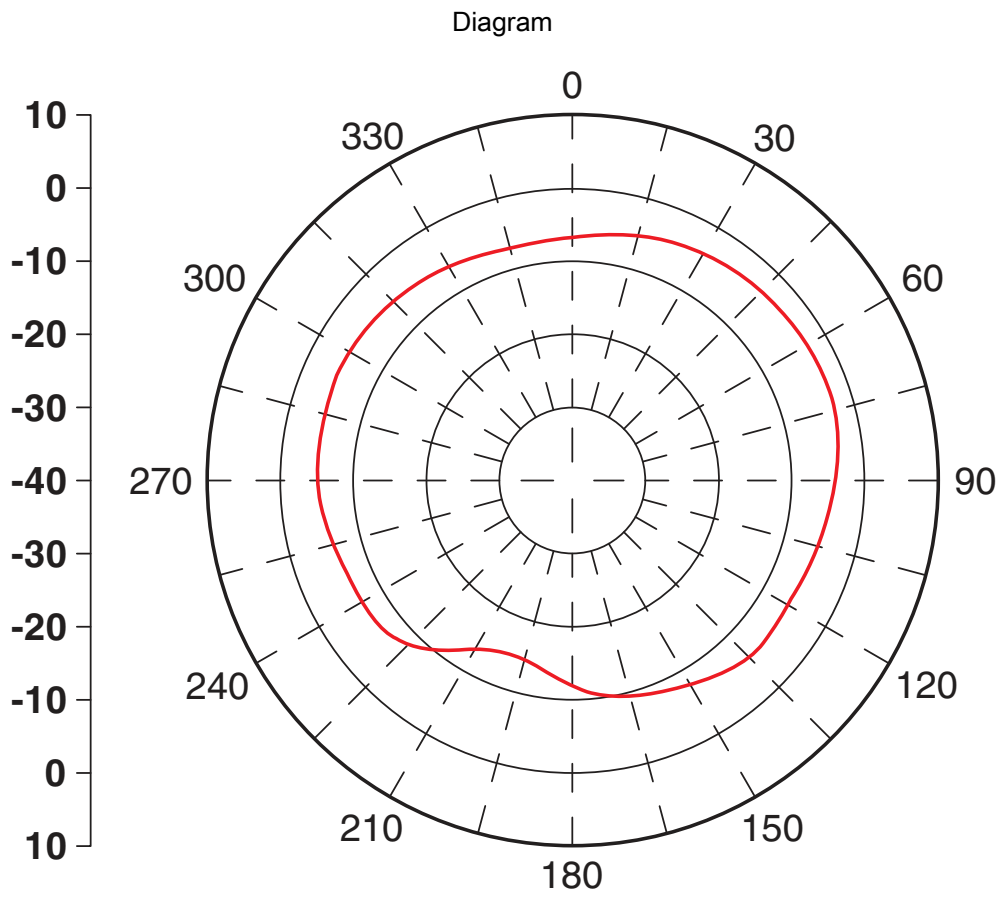
Horizontal

# ANT-OMNI-VAN-868-01 - Antenna



1090616

<https://www.phoenixcontact.com/gb/products/1090616>



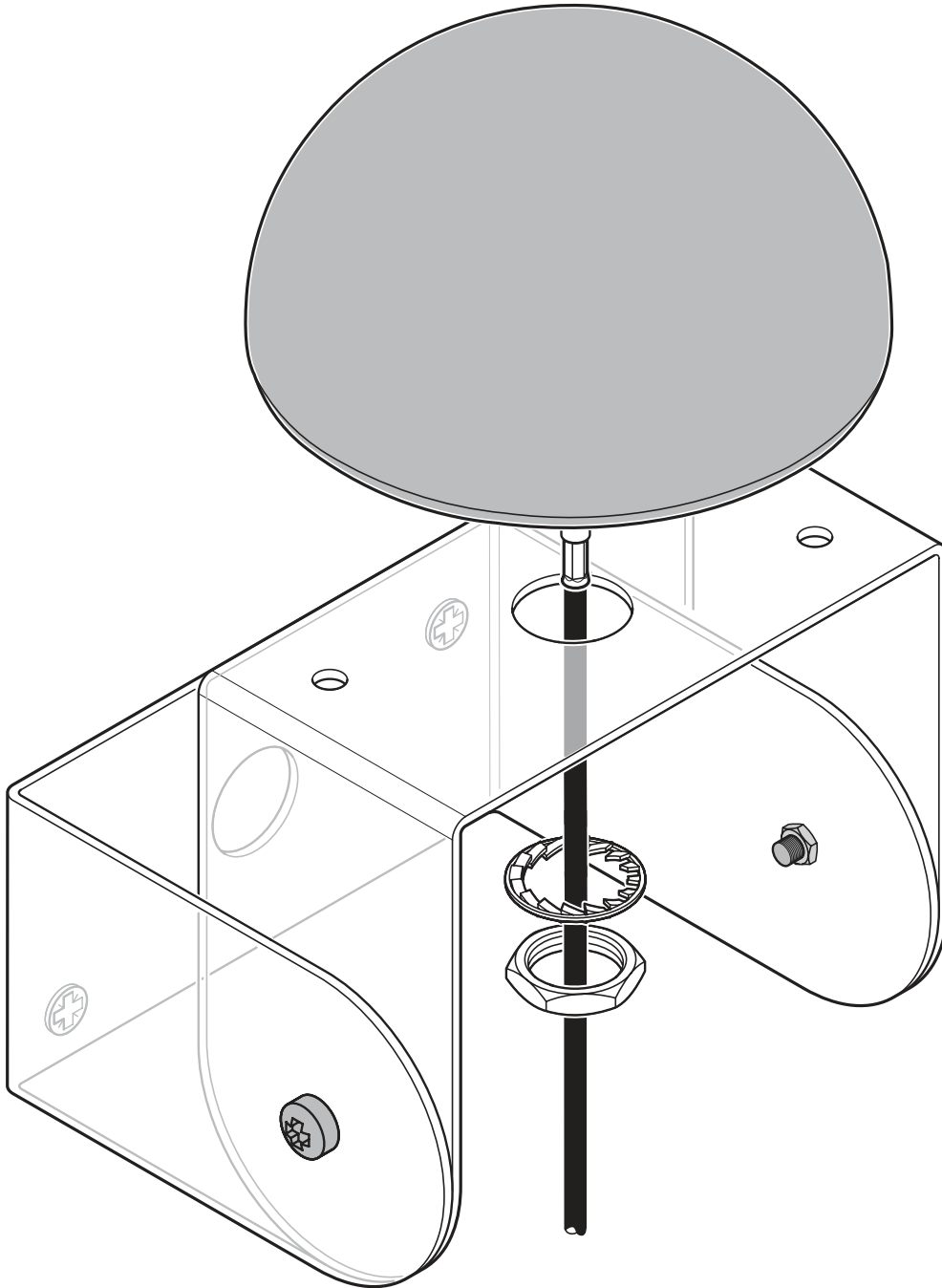
Vertical

# ANT-OMNI-VAN-868-01 - Antenna

1090616

<https://www.phoenixcontact.com/gb/products/1090616>

Schematic diagram



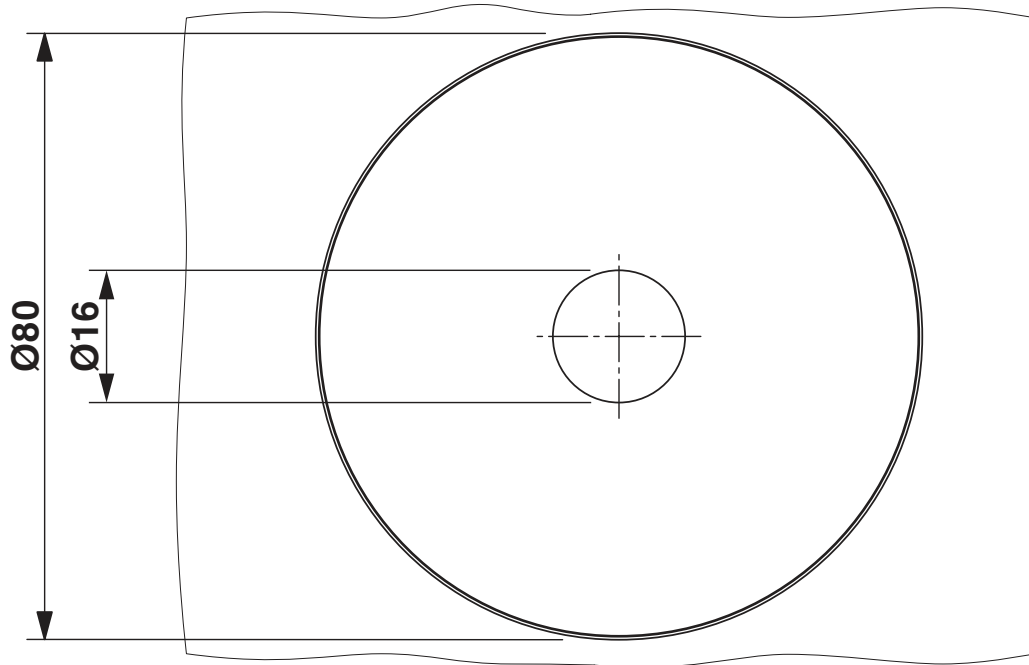
Wall mounting

# ANT-OMNI-VAN-868-01 - Antenna

1090616

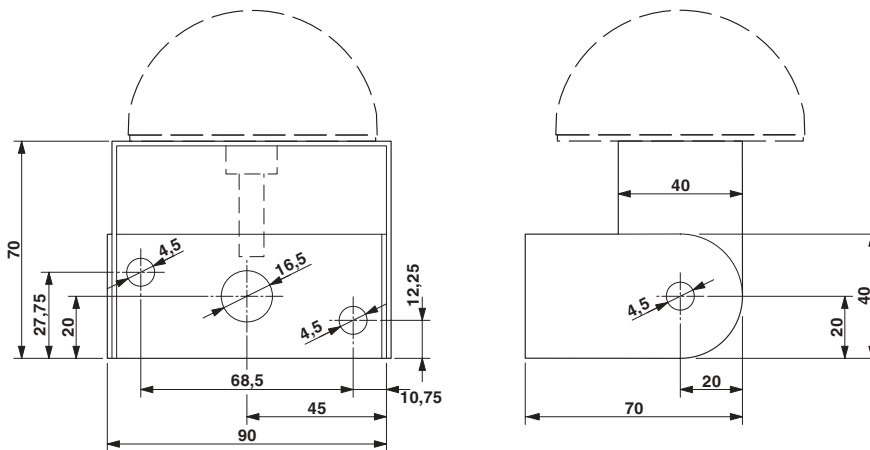
<https://www.phoenixcontact.com/gb/products/1090616>

Dimensional drawing



View from below

Dimensional drawing



Dimensional drawing

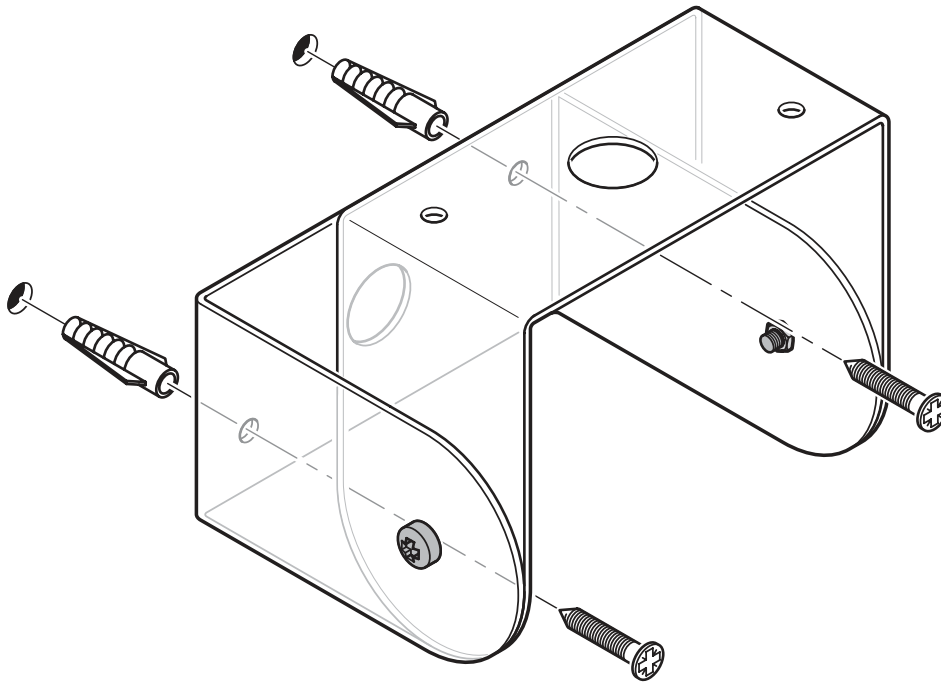


# ANT-OMNI-VAN-868-01 - Antenna

1090616

<https://www.phoenixcontact.com/gb/products/1090616>

Schematic diagram



Mounting bracket

# ANT-OMNI-VAN-868-01 - Antenna



1090616

<https://www.phoenixcontact.com/gb/products/1090616>

## Classifications

### ECLASS

ECLASS-11.0	19070105
ECLASS-12.0	19070105
ECLASS-13.0	19070105

### ETIM

ETIM 8.0	EC001698
----------	----------

### UNSPSC

UNSPSC 21.0	43223100
-------------	----------

# ANT-OMNI-VAN-868-01 - Antenna



1090616

<https://www.phoenixcontact.com/gb/products/1090616>

## Environmental product compliance

REACH SVHC	Lead 7439-92-1
China RoHS	Environmentally Friendly Use Period = 50 years
	For information on hazardous substances, refer to the manufacturer's declaration available under "Downloads"

# ANT-OMNI-VAN-868-01 - Antenna

1090616

<https://www.phoenixcontact.com/gb/products/1090616>



## Accessories

### RAD-ANT-VAN-MKT - Mounting material

2885870

<https://www.phoenixcontact.com/gb/products/2885870>



Mounting material for wall mounting of omnidirectional antenna with protection against vandals

---

Phoenix Contact 2023 © - all rights reserved  
<https://www.phoenixcontact.com>

PHOENIX CONTACT Ltd  
Halesfield 13, Telford  
Shropshire, TF7 4PG  
01952 681700  
[info@phoenixcontact.co.uk](mailto:info@phoenixcontact.co.uk)