

TRIO-UPS-2G/1AC/24DC/20 - Uninterruptible power supply



1105556

<https://www.phoenixcontact.com/gb/products/1105556>

Please be informed that the data shown in this PDF document is generated from our online catalog. Please find the complete data in the user documentation. Our general terms of use for downloads are valid.



TRIO UPS - UPS with integrated power supply, USB (Modbus/RTU), DIN rail mounting, Push-in connection, input: 1-phase, output: 24 V DC / 20 A

Product description

Supply DC loads reliably and save space with the TRIO uninterruptible power supplies. An input grid is no longer necessary for startup. Connected industrial PCs can be shut down easily via the integrated USB interface.

Your advantages

- Space saving: Combination of UPS module and power supply in the same housing
- Long buffer times, thanks to large selection of VRLA energy storage systems
- USB interface for connection to higher-level controllers such as industrial PCs
- Startup from energy storage possible, even without mains input
- Universal range of possible applications, thanks to a comprehensive package of approvals and an extended temperature range
- Easy installation, thanks to push-in connection technology

Commercial data

Item number	1105556
Packing unit	1 pc
Minimum order quantity	1 pc
Sales key	CMUO13
Product key	CMUO13
GTIN	4055626988900
Weight per piece (including packing)	2,003.96 g
Weight per piece (excluding packing)	1,688 g
Customs tariff number	85044095
Country of origin	CN

TRIO-UPS-2G/1AC/24DC/20 - Uninterruptible power supply



1105556

<https://www.phoenixcontact.com/gb/products/1105556>

Technical data

Input data

Input voltage range	100 V AC ... 240 V AC -15 % ... +10 %
Voltage type of supply voltage	AC
Inrush current	< 10 A
Inrush current integral (I^2t)	< 0.4 A ² s
Frequency range (f_N)	50 Hz ... 60 Hz (± 10 %)
Mains buffering time	≥ 20 ms (120 V AC)
Switch-on time	typ. 200 ms
Typical current consumption	6.4 A (100 V AC)
Input fuse	10 A (slow-blow, internal)

Signal Bat.-Start

Connection labeling	3.6
Signalization designation	Bat.-Start
Low signal	Connection to SGnd with < 2.7 k Ω
High signal	Open (> 200 k Ω between Bat.-Start and SGnd)

Signal Remote

Connection labeling	3.5
Signalization designation	Remote
Low signal	Connection to SGnd with < 2.7 k Ω
High signal	Open (> 35 k Ω between Remote and SGnd)

Output data

Efficiency	typ. 88 % (100 V AC)
	typ. 92 % (240 V AC)
	typ. (Battery operation)
Derating	> 60 °C (2.5%/K of P_{Out} nom.)
Crest factor	1.57 (120 V AC)
	1.58 (230 V AC)
Switch-over time	< 3 ms
UPS connection in parallel	yes, with diode module uncoupled
UPS connection in series	no
Energy storage device connection in parallel	yes
Feedback voltage resistance	≤ 35 V DC
Protection against overvoltage at the output (OVP)	< 30 V DC
Residual ripple	< 20 mV
Control deviation	< 0.4 % (change in load, static 10 % ... 90 %)
	< 2.9 % (Dynamic load change 10 % ... 90 %, 10 Hz)
	< 0.1 % (change in input voltage ± 10 %)
Rise time	< 34 ms
Permissible backup fuse	B16

TRIO-UPS-2G/1AC/24DC/20 - Uninterruptible power supply



1105556

<https://www.phoenixcontact.com/gb/products/1105556>

Mains operation

Output voltage	24 V DC
Output voltage range	24 V DC ... 28 V DC (> 24 V constant capacity)
Output current I_N	20 A
Dynamic Boost ($I_{Dyn.Boost}$)	30 A
Maximum no-load power dissipation	< 4 W (230 V AC)
Power loss nominal load max.	< 50 W (230 V AC)

Battery operation

Output voltage	$U_{BAT} - 0.1$ V DC
Output voltage range	18 V DC ... 30 V DC
Output current I_N	20 A

Signal Alarm

Connection labeling	3.2
Signalization designation	Alarm
Type of signaling	LED red
Switching output	Transistor output, active
Output voltage	24 V DC
Continuous load current	20 mA
LED status indicator	red

Signal Battery mode

Connection labeling	3.3
Signalization designation	Battery mode
Type of signaling	Yellow LED
Switching output	Transistor output, active
Output voltage	24 V DC
Continuous load current	20 mA
LED status indicator	yellow

Signal DC OK

Connection labeling	3.1
Signalization designation	DC OK
Type of signaling	Green LED
Switching output	Transistor output, active
Output voltage	24 V DC
Continuous load current	20 mA
LED status indicator	green

Signal Ready

Connection labeling	3.4
Signalization designation	Ready
Switching output	Transistor output, active
Output voltage	24 V DC
Continuous load current	20 mA

TRIO-UPS-2G/1AC/24DC/20 - Uninterruptible power supply



1105556

<https://www.phoenixcontact.com/gb/products/1105556>

Energy storage

Nominal voltage U_N	24 V DC
End-of-charge voltage	max. 30 V DC
Charging current (Configurable)	0.2 A ... 3 A (-25 °C ... 40 °C)
Charging current (Reduced)	3 A ... 0 A (40 °C ... 65 °C)
Charging current (Preset)	2.1 A (-25 °C ... 40 °C)
Charging current ()	3 A
Nominal capacity range	4 Ah ... 40 Ah
Battery technology	VRLA-AGM
Charge characteristic curve	IU ₀ U

Connection data

Conductor connection

Connection method	Push-in connection
rigid	1 mm ² ... 4 mm ²
flexible	1 mm ² ... 2.5 mm ²
flexible with ferrule without plastic sleeve	1 mm ² ... 2.5 mm ²
flexible with ferrule with plastic sleeve	1 mm ² ... 1.5 mm ²
rigid (AWG)	16 ... 12
Stripping length	10 mm

Conductor connection

Connection method	Push-in connection
rigid	2.5 mm ² ... 10 mm ²
flexible	2.5 mm ² ... 6 mm ²
flexible with ferrule without plastic sleeve	2.5 mm ² ... 6 mm ²
flexible with ferrule with plastic sleeve	2.5 mm ² ... 4 mm ²
rigid (AWG)	12 ... 8
Stripping length	15 mm

Conductor connection

Connection method	Push-in connection
rigid	0.2 mm ² ... 1.5 mm ²
flexible	0.2 mm ² ... 1.5 mm ²
flexible with ferrule without plastic sleeve	0.2 mm ² ... 1.5 mm ²
flexible with ferrule with plastic sleeve	0.2 mm ² ... 0.75 mm ²
rigid (AWG)	24 ... 16
Stripping length	8 mm

Conductor connection

Connection method	Push-in connection
rigid	2.5 mm ² ... 10 mm ²
flexible	2.5 mm ² ... 6 mm ²
flexible with ferrule without plastic sleeve	2.5 mm ² ... 6 mm ²

TRIO-UPS-2G/1AC/24DC/20 - Uninterruptible power supply



1105556

<https://www.phoenixcontact.com/gb/products/1105556>

flexible with ferrule with plastic sleeve	2.5 mm ² ... 4 mm ²
rigid (AWG)	12 ... 8
Stripping length	15 mm

Interfaces

Interface	USB (Modbus/RTU)
Number of interfaces	1
Connection method	MINI-USB Type B
Locking	Screw

Electrical properties

Number of phases	1.00
------------------	------

Product properties

Product type	DC UPS with integrated power supply
Product family	TRIO UPS
MTBF (IEC 61709, SN 29500)	958219 h (25 °C)
	576370 h (40 °C)
	265724 h (60 °C)

Insulation characteristics

Protection class	I
Degree of pollution	2

Dimensions

Item dimensions

Width	88 mm
Height	130 mm
Depth	160 mm

Item dimensions with alternative mounting

Width	160 mm
Height	130 mm
Depth	88 mm

Installation dimensions

Installation distance right/left	0 mm / 0 mm
Installation distance top/bottom	50 mm / 50 mm

Mounting

Mounting type	DIN rail mounting
Assembly note	alignable: horizontally 0 mm, vertically 50 mm
Mounting position	horizontal DIN rail NS 35, EN 60715

Material specifications

TRIO-UPS-2G/1AC/24DC/20 - Uninterruptible power supply



1105556

<https://www.phoenixcontact.com/gb/products/1105556>

Flammability rating according to UL 94 (housing / terminal blocks)	V0
Hood version	PC
Side element version	Aluminum

Environmental and real-life conditions

Ambient conditions

Degree of protection	IP20
Ambient temperature (operation)	-25 °C ... 70 °C (> 60 °C Derating: 2,5 %/K)
Ambient temperature (storage/transport)	-40 °C ... 85 °C
Ambient temperature (start-up type tested)	-40 °C
Maximum altitude	≤ 4000 m (> 2000 m, observe derating)
Climatic class	3K3 (in acc. with EN 60721)
Max. permissible relative humidity (operation)	≤ 95 % (At +25°C, non-condensing)
Shock	30g, 18 ms in accordance with IEC 60068-2-27
Vibration (operation)	< 12 ... 13.2 Hz, amplitude ±1 mm, 13.2 ... 100 Hz, 0.7g in accordance with IEC 60068-2-6

Standards and regulations

Overvoltage category

EN 61010-1	II
------------	----

Safety for measurement, control, and laboratory equipment

Standard designation	Safety for equipment for measurement, control, and laboratory use
Standards/specifications	IEC 61010-1

Protective extra-low voltage

Standard designation	Protective extra-low voltage
Standards/specifications	IEC 61010 (SELV) / (PELV)

Safe isolation

Standard designation	Safe isolation
Standards/specifications	DIN VDE 0100-410

Low-voltage power supplies, DC output

Standard designation	Low-voltage power supplies, DC output
Standards/specifications	EN 61204-3

Approvals

UL

Identification	UL Listed UL 61010
----------------	--------------------

UL

Identification	UL/C-UL Listed ANSI/ISA-12.12.01 Class I, Division 2, Groups A, B, C
----------------	--

TRIO-UPS-2G/1AC/24DC/20 - Uninterruptible power supply



1105556

<https://www.phoenixcontact.com/gb/products/1105556>

EMC data

Low Voltage Directive	Conformance with Low Voltage Directive 2014/35/EC
EMC requirements for noise emission	EN 61000-6-3
	EN 61000-6-4
EMC requirements for noise immunity	EN 61000-6-1
	EN 61000-6-2
Noise immunity	Immunity in accordance with EN 61000-6-2 (industrial)
Electromagnetic compatibility	Conformance with EMC Directive 2014/30/EU
Conducted noise emission	EN 61000-6-3
Noise emission	EN 61000-6-3

Harmonic currents

Standards/regulations	EN 61000-3-2
-----------------------	--------------

Flicker

Standards/regulations	EN 61000-3-3
-----------------------	--------------

Electrostatic discharge

Standards/regulations	EN 61000-4-2
-----------------------	--------------

Electrostatic discharge

Contact discharge	6 kV (Test Level 3)
Discharge in air	8 kV (Test Level 3)

Electromagnetic HF field

Standards/regulations	EN 61000-4-3
-----------------------	--------------

Electromagnetic HF field

Frequency range	80 MHz ... 6 GHz
Test field strength	10 V/m
Frequency range	1.4 GHz ... 6 GHz
Test field strength	3 V/m

Fast transients (burst)

Standards/regulations	EN 61000-4-4
-----------------------	--------------

Fast transients (burst)

Input	4 kV
Output	2 kV
Signal	2 kV

Surge voltage load (surge)

Standards/regulations	EN 61000-4-5
-----------------------	--------------

Surge voltage load (surge)

Input	1 kV (Test Level 3 - symmetrical)
	2 kV (Test Level 3 - asymmetrical)
Output	0.5 kV (Test Level 2 - symmetrical)

TRIO-UPS-2G/1AC/24DC/20 - Uninterruptible power supply



1105556

<https://www.phoenixcontact.com/gb/products/1105556>

	1 kV (Test Level 2 - asymmetrical)
Signal	1 kV (Test Level 2 - asymmetrical)
Conducted interference	
Standards/regulations	EN 61000-4-6
Conducted interference	
Frequency range	0.15 MHz ... 80 MHz
Voltage	10 V

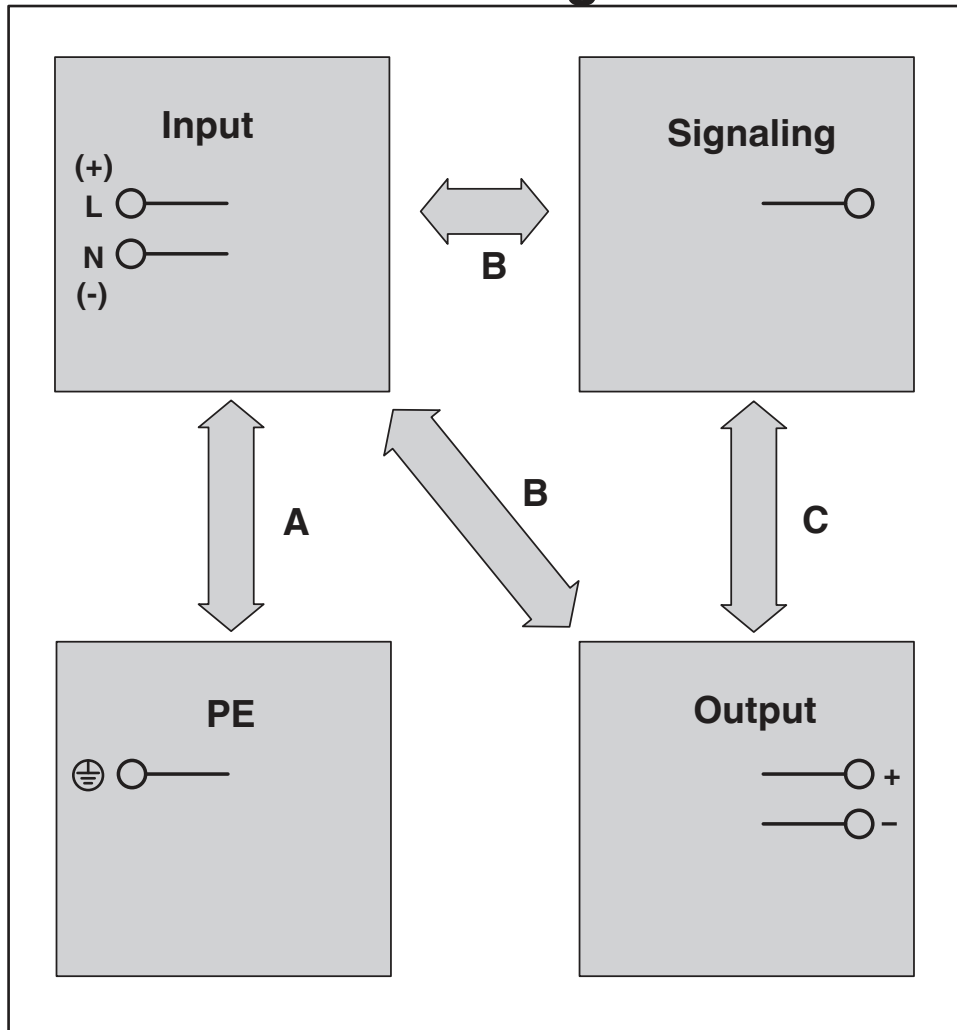
1105556

<https://www.phoenixcontact.com/gb/products/1105556>

Drawings

Schematic diagram

Housing



Insulation electric strength

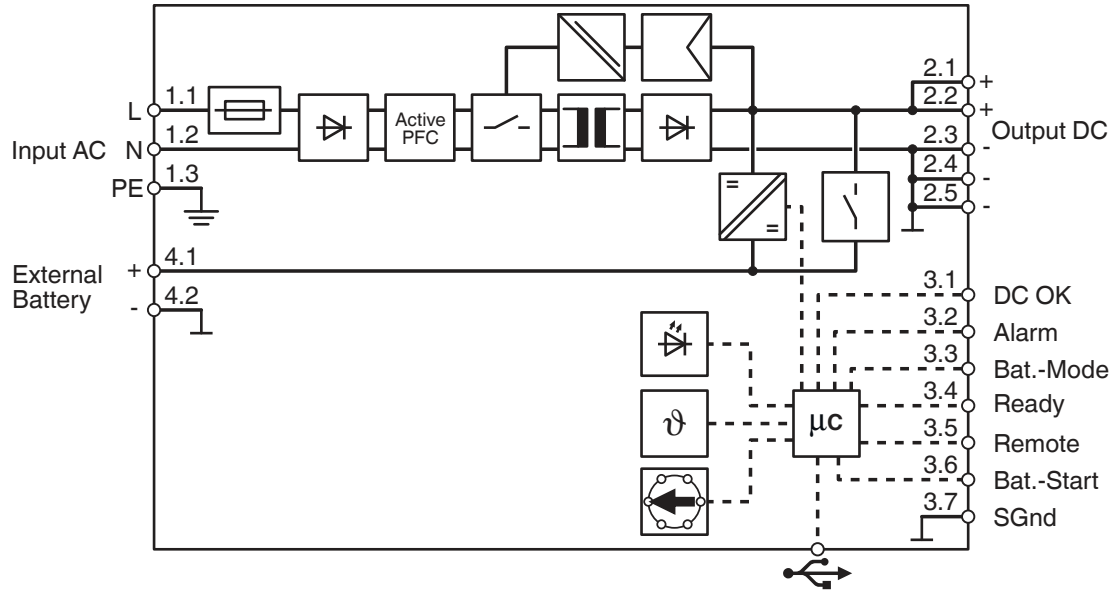
TRIO-UPS-2G/1AC/24DC/20 - Uninterruptible power supply



1105556

<https://www.phoenixcontact.com/gb/products/1105556>

Block diagram



Block diagram

TRIO-UPS-2G/1AC/24DC/20 - Uninterruptible power supply



1105556

<https://www.phoenixcontact.com/gb/products/1105556>

Approvals

To download certificates, visit the product detail page: <https://www.phoenixcontact.com/gb/products/1105556>



cULus Listed

Approval ID: FILE E 123528



cULus Listed

Approval ID: FILE E 199827

TRIO-UPS-2G/1AC/24DC/20 - Uninterruptible power supply



1105556

<https://www.phoenixcontact.com/gb/products/1105556>

Classifications

ECLASS

ECLASS-11.0	27040705
ECLASS-12.0	27040705
ECLASS-13.0	27040705

ETIM

ETIM 9.0	EC000382
----------	----------

TRIO-UPS-2G/1AC/24DC/20 - Uninterruptible power supply



1105556

<https://www.phoenixcontact.com/gb/products/1105556>

Environmental product compliance

EU RoHS

Fulfills EU RoHS substance requirements	Yes
Exemption	6(c), 7(a), 7(c)-I, 7(c)-II

China RoHS

Environment friendly use period (EFUP)	EFUP-25
	An article-related China RoHS declaration table can be found in the download area for the respective article under "Manufacturer declaration". For all articles with EFUP-E, no China RoHS declaration table issued and required.

EU REACH SVHC

REACH candidate substance (CAS No.)	Lead(CAS: 7439-92-1)
-------------------------------------	----------------------

TRIO-UPS-2G/1AC/24DC/20 - Uninterruptible power supply



1105556

<https://www.phoenixcontact.com/gb/products/1105556>

Mandatory accessories

UPS-BAT/PB/24DC/4AH - Battery module

1274117

<https://www.phoenixcontact.com/gb/products/1274117>



Battery module, VRLA-AGM, 24 V DC, 4 Ah, automatic detection and communication with QUINT UPS-IQ

UPS-BAT/PB/24DC/7AH - Battery module

1274118

<https://www.phoenixcontact.com/gb/products/1274118>



Battery module, VRLA-AGM, 24 V DC, 7 Ah, automatic detection and communication with QUINT UPS-IQ

TRIO-UPS-2G/1AC/24DC/20 - Uninterruptible power supply



1105556

<https://www.phoenixcontact.com/gb/products/1105556>

UPS-BAT/PB/24DC/12AH - Battery module

1274119

<https://www.phoenixcontact.com/gb/products/1274119>



Battery module, VRLA-AGM, 24 V DC, 12 Ah, automatic detection and communication with QUINT UPS-IQ

UPS-BAT/PB/24DC/20AH - Battery module

1348516

<https://www.phoenixcontact.com/gb/products/1348516>



Battery module, VRLA-AGM, 24 V DC, 20 Ah, automatic detection and communication with QUINT UPS-IQ

TRIO-UPS-2G/1AC/24DC/20 - Uninterruptible power supply



1105556

<https://www.phoenixcontact.com/gb/products/1105556>

UPS-BAT/PB/24DC/40AH - Battery module

1354641

<https://www.phoenixcontact.com/gb/products/1354641>



Battery module, VRLA-AGM, 24 V DC, 40 Ah, automatic detection and communication with QUINT UPS-IQ

UPS-BAT/VRLA-WTR/24DC/13AH - Battery module

2320416

<https://www.phoenixcontact.com/gb/products/2320416>



Battery module, lead AGM, VRLA technology, 24 V DC, 13 Ah, tool-free battery replacement, automatic detection, and communication with QUINT UPS-IQ

TRIO-UPS-2G/1AC/24DC/20 - Uninterruptible power supply



1105556

<https://www.phoenixcontact.com/gb/products/1105556>

UPS-BAT/VRLA-WTR/24DC/26AH - Battery module

2320429

<https://www.phoenixcontact.com/gb/products/2320429>

Battery module, lead AGM, VRLA technology, 24 V DC, 26 Ah, tool-free battery replacement, automatic detection, and communication with QUINT UPS-IQ



Accessories

MINI-SCREW-USB-DATACABLE - Data cable

2908217

<https://www.phoenixcontact.com/gb/products/2908217>

Used for communication between an industrial PC and Phoenix Contact devices with USB-Mini-B connection.



TRIO-UPS-2G/1AC/24DC/20 - Uninterruptible power supply



1105556

<https://www.phoenixcontact.com/gb/products/1105556>

UWA 130 - Mounting adapter

2901664

<https://www.phoenixcontact.com/gb/products/2901664>



2-piece universal wall adapter for securely mounting the device in the event of strong vibrations. The profiles that are screwed onto the side of the device are screwed directly onto the mounting surface. The universal wall adapter is attached on the left/right.

UWA 182/52 - Mounting adapter

2938235

<https://www.phoenixcontact.com/gb/products/2938235>



Universal wall adapter for securely mounting the device in the event of strong vibrations. The device is screwed directly onto the mounting surface. The universal wall adapter is attached on the top/bottom.

TRIO-UPS-2G/1AC/24DC/20 - Uninterruptible power supply



1105556

<https://www.phoenixcontact.com/gb/products/1105556>

POWER MANAGEMENT SUITE - Configuration software

1252232

<https://www.phoenixcontact.com/gb/products/1252232>

Configuration and management software



Phoenix Contact 2024 © - all rights reserved

<https://www.phoenixcontact.com>

PHOENIX CONTACT Ltd

Halesfield 13, Telford

Shropshire, TF7 4PG

01952 681700

info@phoenixcontact.co.uk