

FL SWITCH 2608 PN - Industrial Ethernet Switch



1106616

<https://www.phoenixcontact.com/gb/products/1106616>

Please be informed that the data shown in this PDF document is generated from our online catalog. Please find the complete data in the user documentation. Our general terms of use for downloads are valid.



Managed Switch 2000, 8 M12 ports 10/100 Mbps, degree of protection: IP65/IP66/IP67, PROFINET Conformance-Class B, Extended temperature range, PROFINET mode preset, PROFINET status LEDs

Your advantages

- Robust IP67 housing
- Easy panel mounting

Commercial data

Item number	1106616
Packing unit	1 pc
Minimum order quantity	1 pc
Sales key	DNN126
Product key	DNN126
GTIN	4063151001650
Weight per piece (including packing)	1,431 g
Weight per piece (excluding packing)	1,400 g
Customs tariff number	85176200
Country of origin	DE

FL SWITCH 2608 PN - Industrial Ethernet Switch

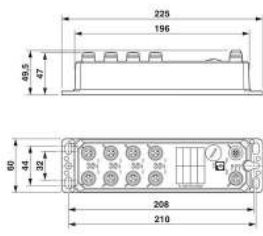


1106616

<https://www.phoenixcontact.com/gb/products/1106616>

Technical data

Dimensions

Dimensional drawing	
Width	60 mm
Height	226 mm
Depth	46 mm

Notes

General	Support by phone or on-site (fee is charged)
---------	--

Material specifications

Housing material	Zinc die-cast
------------------	---------------

Mounting

Mounting type	Wall mounting
---------------	---------------

Interfaces

Ethernet

Connection method	M12 connectors, D-coded
Note on the connection method	Auto negotiation and autocrossing
Transmission speed	10/100 Mbps
Transmission physics	Copper
Transmission length	100 m (per segment)
Signal LEDs	Data receive, link status
No. of channels	8 (M12 ports)

Product properties

Type	Stand-Alone
Product type	Switch
Product family	Managed Switch 2000
MTTF	461.15 Years (SN 29500 standard, temperature 25°C, operating cycle 21%) 149.69 Years (SN 29500 standard, temperature 40°C, operating cycle 34.25%) 19.78 Years (SN 29500 standard, temperature 70°C, operating cycle 100%)
Special properties	Extended temperature range

1106616

<https://www.phoenixcontact.com/gb/products/1106616>

	PROFINET mode preset, PROFINET status LEDs
Signal delay	≥ 6.5 μs (Store and Forward mode, 10/100 Mbps, depending on the frame size)
Insulation characteristics	
Protection class	III (VDE 0106)
Switch functions	
Diagnostic functions	RMON History
	LLDP (Link Layer Discovery Protocol)
	SNMP-Traps
	N:1-Portmirroring
	ACD (Address Conflict Detection)
	SysLog
	CRC-Surveillance
Basic functions	Store-and-forward switch, complies with IEEE 802.3
PROFINET conformance class	Conformance-Class B
PROFINET device function	PROFINET device
	Fast Startup
Filter functions	Quality of Service (8 priority classes)
	Class of Service
	DiffServ/DSCP
	Port-Priorisierung
	VLAN (up to 32 VLANs)
	IGMP Snooping/Querier (v1/v2)
	Auto-Query-Port
	Extended Multicast Filtering
IP parameterization	DHCP-Client
	DHCP Option 82 (Relay Agent)
	DHCP server (pool-based, port-based)
	BootP
	DCP (Discovery and Configuration Protocol)
MAC address table	8k
Management	Web-based management (HTTP/HTTPS)
	Role-based user management (LDAP, RADIUS)
	SNMPv1/v2/v3
	Command Line Interface (Telnet, SSH)
Redundancy	MRP (Media Redundancy Protocol)
	RSTP (Rapid Spanning Tree Protocol)
	FRD (Fast Ring Detection)
	Large Tree Support
	LACP (Link Aggregation Control Protocol)
	PROFINET S2 system redundancy
Status and diagnostic indicators	LEDs: US1, US2 (power supply), Fail, 2 LEDs per Ethernet port (Link/Activity and Speed)

1106616

<https://www.phoenixcontact.com/gb/products/1106616>

Additional functions	Transmission of MMS and GOOSE (IEC 61850-8-1)
	Transmission of Modbus/TCP
Time synchronization	SNTP (Simple Network Time Protocol)

Security functions

Port security	MAC-based, RADIUS (IEEE 802.1X), MAC Authentication Bypass
Basic functions	Store-and-forward switch, complies with IEEE 802.3

Electrical properties

Local diagnostics	US1/2 Supply voltage US1, US2 Green LED
	FAIL Div. LED red
	LINK Link status Green LED
Maximum power dissipation for nominal condition	4.68 W ($U_S = \min$, $T_{amb} = \max$)
Test section	for one minute 500 V DC
Transmission medium	Copper

Supply

Supply voltage (DC)	24 V DC (redundant)
Supply voltage range	9 V DC ... 57 V DC
Residual ripple	3.6 V _{PP} (within the permitted voltage range)
Max. current consumption	0.52 A ($U_S = \min$, $T_{amb} = \max$)
Typical current consumption	180 mA (at $U_S = 24$ V DC and 25 °C ambient temperature)
Current consumption	180 mA

Connection data

Connection method	M12 connector (L-coded)
-------------------	-------------------------

Environmental and real-life conditions

Ambient conditions

Degree of protection	IP65
	IP66
	IP67
Ambient temperature (operation)	-40 °C ... 70 °C
Ambient temperature (storage/transport)	-40 °C ... 85 °C
Permissible humidity (operation)	5 % ... 95 %
Permissible humidity (storage/transport)	5 % ... 95 %
Shock (operation)	30g (EN 60068-2-27)
Vibration (operation)	in acc. with IEC 60068-2-6: 5g, 150 Hz
Air pressure (operation)	79 kPa ... 108 kPa up to 2000 m above mean sea level (Without derating)
Air pressure (storage/transport)	79 kPa ... 108 kPa up to 2000 m above mean sea level (Without derating)

Standards and regulations

Free from substances that could impair the application of coating	Yes
---	-----

1106616

<https://www.phoenixcontact.com/gb/products/1106616>

EMC data

Conformance with EMC directives	EN 61000-6-2 EN 61000-4-2 (ESD) Criterion B
	EN 61000-6-2 EN 61000-4-3 (electromagnetic fields) Criterion A
	EN 61000-6-2 EN 61000-4-4 (EFT burst) Criterion A
	EN 61000-6-2 EN 61000-4-5 (surge) Criterion B
	EN 61000-6-2 EN 61000-4-6 (line noise immunity) Criterion A
	EN 61000-6-3 (conducted emissions) Class B
	EN 61000-6-3 (conducted emissions) Class B
Noise immunity	EN 61000-6-2
Electromagnetic compatibility	Conformance with EMC Directive 2014/30/EU
Noise emission	EN 61000-6-3

System properties

Functionality

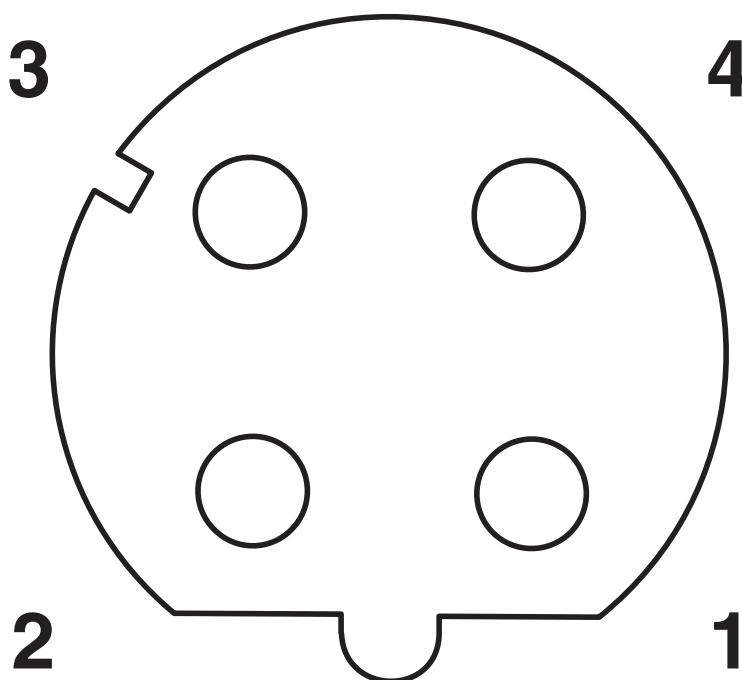
Basic functions	Store-and-forward switch, complies with IEEE 802.3
-----------------	--

Signaling

Status display	LEDs: US1, US2 (power supply), Fail, 2 LEDs per Ethernet port (Link/Activity and Speed)
----------------	---

Drawings

Schematic diagram



Assignment of the LAN socket

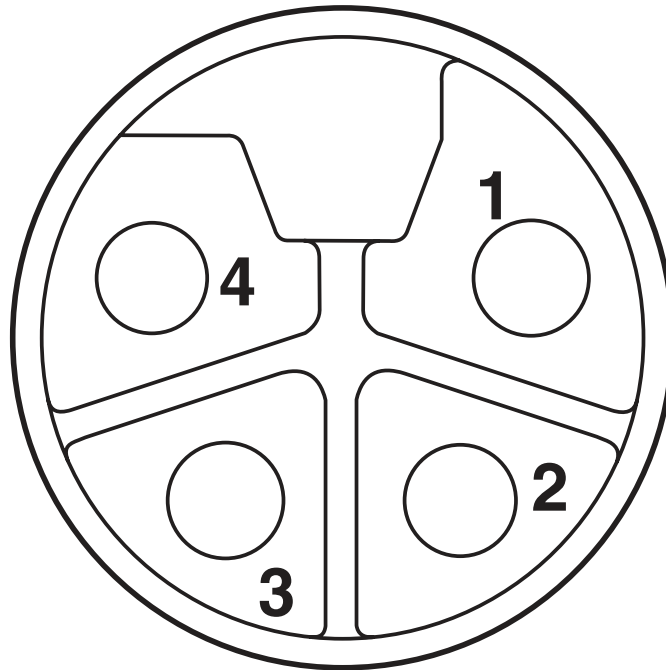
- Pin 1 Transmit +
- Pin 2 Receive +
- Pin 3 Transmit -
- Pin 4 Receive -

FL SWITCH 2608 PN - Industrial Ethernet Switch

1106616

<https://www.phoenixcontact.com/gb/products/1106616>

Schematic diagram



Connection of the supply voltage

- PIN 1 Us1
- PIN 2 GND
- Pin 3 GND
- Pin 4 Us2
- Pin 5 N.C.

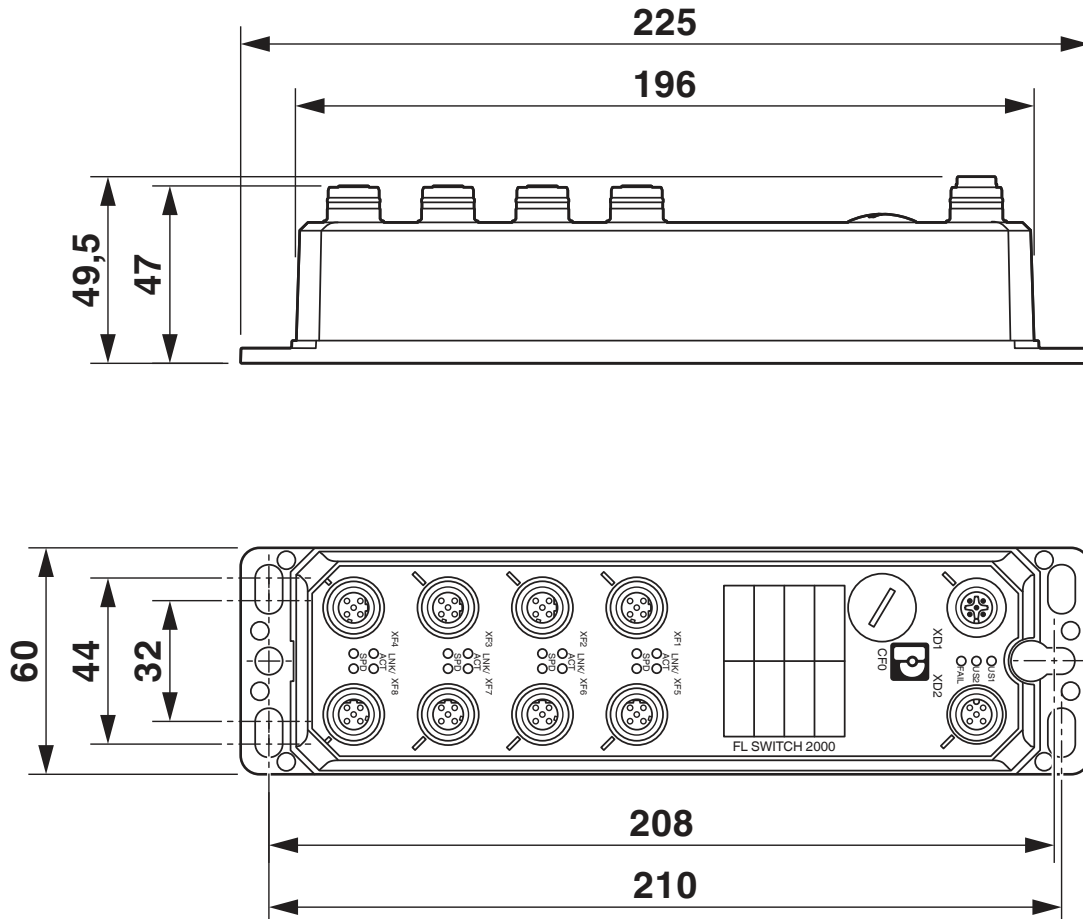
FL SWITCH 2608 PN - Industrial Ethernet Switch



1106616

<https://www.phoenixcontact.com/gb/products/1106616>

Dimensional drawing



FL SWITCH 2608 PN - Industrial Ethernet Switch



1106616

<https://www.phoenixcontact.com/gb/products/1106616>

Approvals

🔗 To download certificates, visit the product detail page: <https://www.phoenixcontact.com/gb/products/1106616>



EAC

Approval ID: RU D-DE.GB09.B.00312

PROFINET

Approval ID: Z13092



cULus Listed

Approval ID: FILE E 238705

FL SWITCH 2608 PN - Industrial Ethernet Switch



1106616

<https://www.phoenixcontact.com/gb/products/1106616>

Classifications

ECLASS

ECLASS-11.0	19170401
ECLASS-12.0	19170401
ECLASS-13.0	19170401

ETIM

ETIM 8.0	EC000734
----------	----------

UNSPSC

UNSPSC 21.0	43222600
-------------	----------

FL SWITCH 2608 PN - Industrial Ethernet Switch



1106616

<https://www.phoenixcontact.com/gb/products/1106616>

Environmental product compliance

REACH SVHC	Lead 7439-92-1
China RoHS	Environmentally Friendly Use Period = 50 years
	For information on hazardous substances, refer to the manufacturer's declaration available under "Downloads"

FL SWITCH 2608 PN - Industrial Ethernet Switch



1106616

<https://www.phoenixcontact.com/gb/products/1106616>

Accessories

FL NETWORK MANAGER BASIC - Network management software

2702889

<https://www.phoenixcontact.com/gb/products/2702889>



SNMP-based software for easy commissioning and monitoring of network components such as switches, routers, and WLAN access points

FL MICRO SD FLASH - Program / configuration memory

1129482

<https://www.phoenixcontact.com/gb/products/1129482>



Configuration memory in micro SD format

FL SWITCH 2608 PN - Industrial Ethernet Switch



1106616

<https://www.phoenixcontact.com/gb/products/1106616>

NBC-M12MSD/ 2,0-93C/M12MSD - Network cable

1416200

<https://www.phoenixcontact.com/gb/products/1416200>



Network cable, PROFINET CAT5 (100 Mbps), EtherCAT[®] CAT5 (100 Mbps), 4-position, shielded (Advanced Shielding Technology), Plug straight M12, coding: D / IP67, on Plug straight M12, coding: D / IP67, cable length: 2 m

NBC-MRD-MRD SCO-PN/.../... - Network cable

1408624

<https://www.phoenixcontact.com/gb/products/1408624>



Network cable, PROFINET CAT5 (100 Mbps), EtherCAT[®] CAT5 (100 Mbps), 4-position, Variable cable type, shielded, Plug angled M12, coding: D SPEEDCON / IP67, on Plug angled M12, coding: D SPEEDCON / IP67, cable length: Free input (0.2 ... 40.0 m)

Phoenix Contact 2023 © - all rights reserved
<https://www.phoenixcontact.com>

PHOENIX CONTACT Ltd
Halesfield 13, Telford
Shropshire, TF7 4PG
01952 681700
info@phoenixcontact.co.uk