

SCX 2POE 2T - Industrial Ethernet Switch



1108544

<https://www.phoenixcontact.com/gb/products/1108544>

Please be informed that the data shown in this PDF document is generated from our online catalog. Please find the complete data in the user documentation. Our general terms of use for downloads are valid.



Smart Camera Box to connect PoE end devices, two PoE ports, two uplink ports (RJ45), integrated Managed Switch and surge protection, supply voltage 100 ... 240 V AC, wall or mast mounting

Product description

The Smart Camera Box is used to connect PoE end devices such as IP cameras to a video server. You can use the Smart Camera Box to supply voltage to PoE end devices and additional external devices. The Smart Camera Box is a manageable outdoor PoE switch with a power supply, a wiring space for the AC voltage supply, replaceable overvoltage protection modules, and an area with an integrated 24 V DC supply and a DIN rail for mounting additional devices. The Smart Camera Box integrates the functions of conventional connection boxes equipped with standard DIN rail devices into a single compact device. This saves you planning and installation time. Numerous management and monitoring functions ensure reliable operation of the system.

Your advantages

- Cost savings with an all-in-one solution that provides all functions in a single device
- Significant time savings with adapter for wall and mast mounting
- Minimal wiring effort
- Replaceable surge protection
- A wide range of alarm messages via SNMP, such as in the event of sabotage attempts or defective surge protection
- Advanced PoE management for reliable operation of IP cameras
- Quick and easy startup and configuration via web-based management or the FL Network Manager software

Commercial data

Item number	1108544
Packing unit	1 pc
Minimum order quantity	1 pc
Sales key	DNC371
Product key	DNC371
GTIN	4063151015121
Weight per piece (including packing)	5,005 g
Weight per piece (excluding packing)	4,300 g
Customs tariff number	85176200
Country of origin	DE

SCX 2POE 2T - Industrial Ethernet Switch

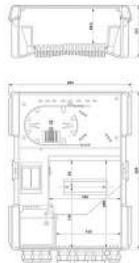


1108544

<https://www.phoenixcontact.com/gb/products/1108544>

Technical data

Dimensions

Dimensional drawing	
Width	284 mm
Height	364 mm
Depth	121 mm

Material specifications

Material	Polycarbonate PC
	Polyamide
	Neoprene
Flammability rating according to UL 94	V0 (Housing, a vertically clamped sample is extinguished within 10 seconds, no flaming droplets of molten plastic, smoldering for a maximum of 60 seconds)
	V2 (Cable gland; a vertically tensioned sample is extinguished within 30 seconds; flaming droplets are permitted)
Impact strength	IK10 (in accordance with IEC 62262: Impact energy of 20 J, corresponds to 5 kg from a height of 40 cm)

Mounting

Mounting type	Wall mounting
	Mast mounting

Interfaces

Basic functions	Store-and-forward switch, complies with IEEE 802.3
-----------------	--

Data: Ethernet / Fast Ethernet / Gigabit Ethernet

Transmission speed	10/100/1000 Mbps
Connection method	RJ45 jack
No. of channels	2 (RJ45 ports)
Transmission length	100 m (per segment)
Transmission medium	Copper
Maximum output power	165 W (>55°C derating, see data sheet)
	155 W (If switching output is active, >55°C derating)
	90 W (per port POE1/2, >50°C derating, see data sheet)

Data: Ethernet / Fast Ethernet / Gigabit Ethernet

SCX 2POE 2T - Industrial Ethernet Switch



1108544

<https://www.phoenixcontact.com/gb/products/1108544>

Transmission speed	10/100/1000 Mbps
Connection method	RJ45 jack
No. of channels	2 (SFP ports)
Transmission length	100 m (per segment)
Transmission medium	Copper

Data: Configuration interface

Connection method	RJ45 jack
No. of channels	1 (RJ45 port)

Data: Switching output

Connection method	Push-in spring connection
No. of channels	1 (Push-in Technology)
Conductor cross section, flexible, with ferrule, with plastic sleeve	0.25 mm ² ... 0.75 mm ² (Stripping length 8 mm)
Conductor cross section flexible, with ferrule without plastic sleeve	0.25 mm ² ... 1.5 mm ² (Stripping length 8 mm)
Conductor cross section AWG max.	16
Conductor cross section AWG min.	24
Stripping length	10 mm
Load/output load current output	no inductive load
Output nominal voltage	24 V DC ±10 % (Supply for devices within the Smart Camera Box)
Output current	300 mA (typical)

Product properties

Product type	Switch
Product family	Smart Camera Box
MTTF	496 Years (SN 29500 standard, temperature 25°C, operating cycle 21%)
	247 Years (SN 29500 standard, temperature 40°C, operating cycle 34.25%)
	105 Years (SN 29500 standard, temperature 40°C, operating cycle 100%)

Insulation characteristics

Protection class	I (Protective grounding of all conductive housing parts)
------------------	--

Insulation characteristics

Overvoltage category	III (With protection modules plugged in)
	II (Without protection modules)
Pollution degree	2

Switch functions

Diagnostic functions	RMON History
	LLDP (Link Layer Discovery Protocol)
	SNMP traps
	N:1-Portmirroring
	ACD (Address Conflict Detection)

SCX 2POE 2T - Industrial Ethernet Switch



1108544

<https://www.phoenixcontact.com/gb/products/1108544>

Basic functions	Store-and-forward switch, complies with IEEE 802.3
Filter functions	Port prioritization
	VLAN (up to 32 VLANs)
IP parameterization	DHCP client
	BootP
	Static IP address
MAC address table	8k
Management	Web-based management (HTTP/HTTPS)
	SNMPv2/v3
	Command Line Interface (Telnet, SSH)
Redundancy	RSTP (Rapid Spanning Tree Protocol in accordance with IEEE 802.1D-2004)
	Large Tree Support
	FRD (Fast Ring Detection)
Additional functions	Jumbo frames
Time synchronization	SNTP (Simple Network Time Protocol)
Security functions	
Basic functions	Store-and-forward switch, complies with IEEE 802.3

Electrical properties

Rated insulation voltage	3 kV AC (Input / output, IEC/EN 60950-1)
Supply	
Supply voltage range	100 V AC ... 240 V AC -15 % ... +10 % (Single-phase)
Connection method	Push-in spring connection

Connection data

Supply	
Connection method	Push-in spring connection
Conductor cross section flexible, with ferrule without plastic sleeve	0.2 mm ² ... 4 mm ²
Conductor cross section, flexible, with ferrule, with plastic sleeve	0.2 mm ² ... 4 mm ²
2 conductors with the same cross section, flexible, with TWIN ferrule with plastic sleeve	0.5 mm ² ... 1.5 mm ²
Conductor cross section, flexible [AWG]	24 ... 10
Stripping length	10 mm

Environmental and real-life conditions

Ambient conditions	
Degree of protection	IP65 (in accordance with DIN EN 60529: Complete touch protection, dust cannot enter, spray water from any direction)
Impact strength	IK10 (in accordance with IEC 62262: Impact energy of 20 J, corresponds to 5 kg from a height of 40 cm)
Ambient temperature (operation)	-40 °C ... 70 °C (>50°C derating)
Ambient temperature (storage/transport)	-40 °C ... 85 °C

SCX 2POE 2T - Industrial Ethernet Switch



1108544

<https://www.phoenixcontact.com/gb/products/1108544>

Altitude	2000 m
Permissible humidity (operation)	10 % ... 95 % (non-condensing)

Standards and regulations

Other resistance	UV-resistant in accordance with UL746C, f1 listing/rating Outdoor housing, subject to 1,000 hour xenon weather testing, 7-day water submergence test
Standards/regulations	IEC 62444
Standard designation	Strain relief
Standards/regulations	IEC 61249-2-21
Standard designation	Halogen-free (housing, bromine: <900 ppm, chlorine: <900 ppm, total halogen content: <1,500 ppm)
Standards/regulations	DIN EN 45545-2, requirement set R22, hazard level HL3
Standard designation	Fire protection

Approvals

CE

Certificate	CE-compliant
-------------	--------------

UKCA

Certificate	UKCA-compliant
-------------	----------------

UL, USA/Canada

Identification	Listed
	UL 61010-1, 3rd Edition
	UL 61010-2-201, 2nd Edition
	CAN/CSA C22.2 No. 61010-1-12
	CSA C22.2 No. 61010-2-201:18

Corrosive gas test

Identification	ISA-S71.04-1985 G3 Harsh Group A
----------------	----------------------------------

EMC data

Noise immunity	EN 61000-6-2
Electromagnetic compatibility	Conformance with EMC Directive 2014/30/EU
Conducted noise emission	EN 61000-6-3 Class B, domain of use: residential and small commercial
Noise emission	EN 61000-6-4, Class B, domain of use: residential and small commercial

Electrostatic discharge

Standards/regulations	EN 61000-4-2
-----------------------	--------------

Electrostatic discharge

Contact discharge	± 6 kV
Discharge in air	± 8 kV
Indirect discharge	± 6 kV
Comments	Criterion B

SCX 2POE 2T - Industrial Ethernet Switch



1108544

<https://www.phoenixcontact.com/gb/products/1108544>

Electromagnetic HF field

Standards/regulations	EN 61000-4-3
-----------------------	--------------

Electromagnetic HF field

Frequency range	80 MHz ... 3 GHz (80% amplitude modulation with 1 kHz)
Field intensity	10 V/m
Comments	Criterion A

Fast transients (burst)

Standards/regulations	EN 61000-4-4
-----------------------	--------------

Fast transients (burst)

Input	± 2.2 kV (1 minute)
Signal	± 2.2 kV (1 minute)
Comments	Criterion B

Surge current load (surge)

Standards/regulations	EN 61000-4-5
-----------------------	--------------

Surge current load (surge)

Input	± 1 kV (AC supply, line to line) ± 2 kV (AC supply, line to ground)
-------	--

Conducted interference

Standards/regulations	EN 61000-4-6
-----------------------	--------------

Conducted interference

Frequency range	0.15 MHz ... 80 MHz (80% amplitude modulation with 1 kHz)
Comments	Criterion A
Voltage	10 V

Emitted interference

Standards/regulations	EN 61000-6-4
Comments	Class B, domain of use: residential and small commercial

Criteria

Criterion A	Normal operating behavior within the specified limits.
Criterion B	Temporary impairment to operational behavior that is corrected by the device itself.

System properties

Functionality

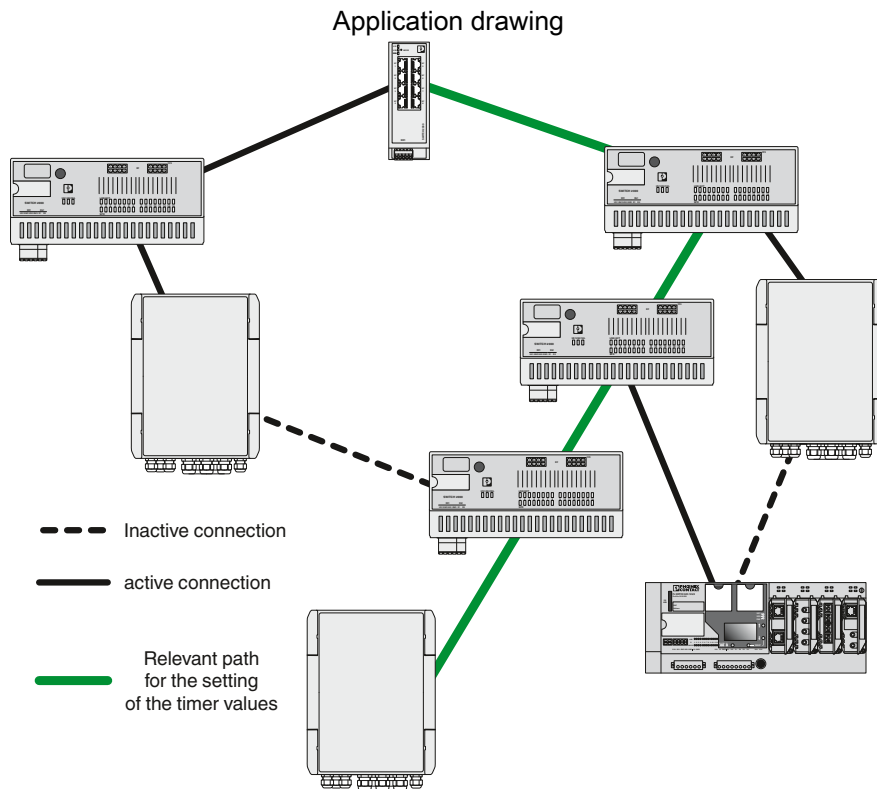
Basic functions	Store-and-forward switch, complies with IEEE 802.3
-----------------	--

SCX 2POE 2T - Industrial Ethernet Switch

1108544

<https://www.phoenixcontact.com/gb/products/1108544>

Drawings



Redundancy via RSTP

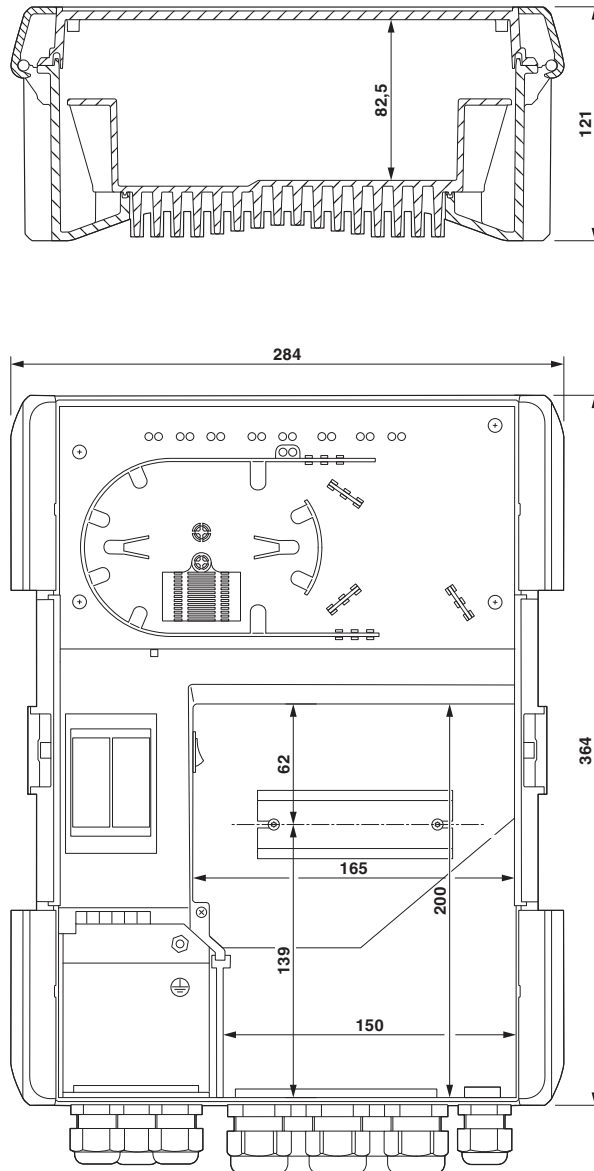
SCX 2POE 2T - Industrial Ethernet Switch



1108544

<https://www.phoenixcontact.com/gb/products/1108544>

Dimensional drawing



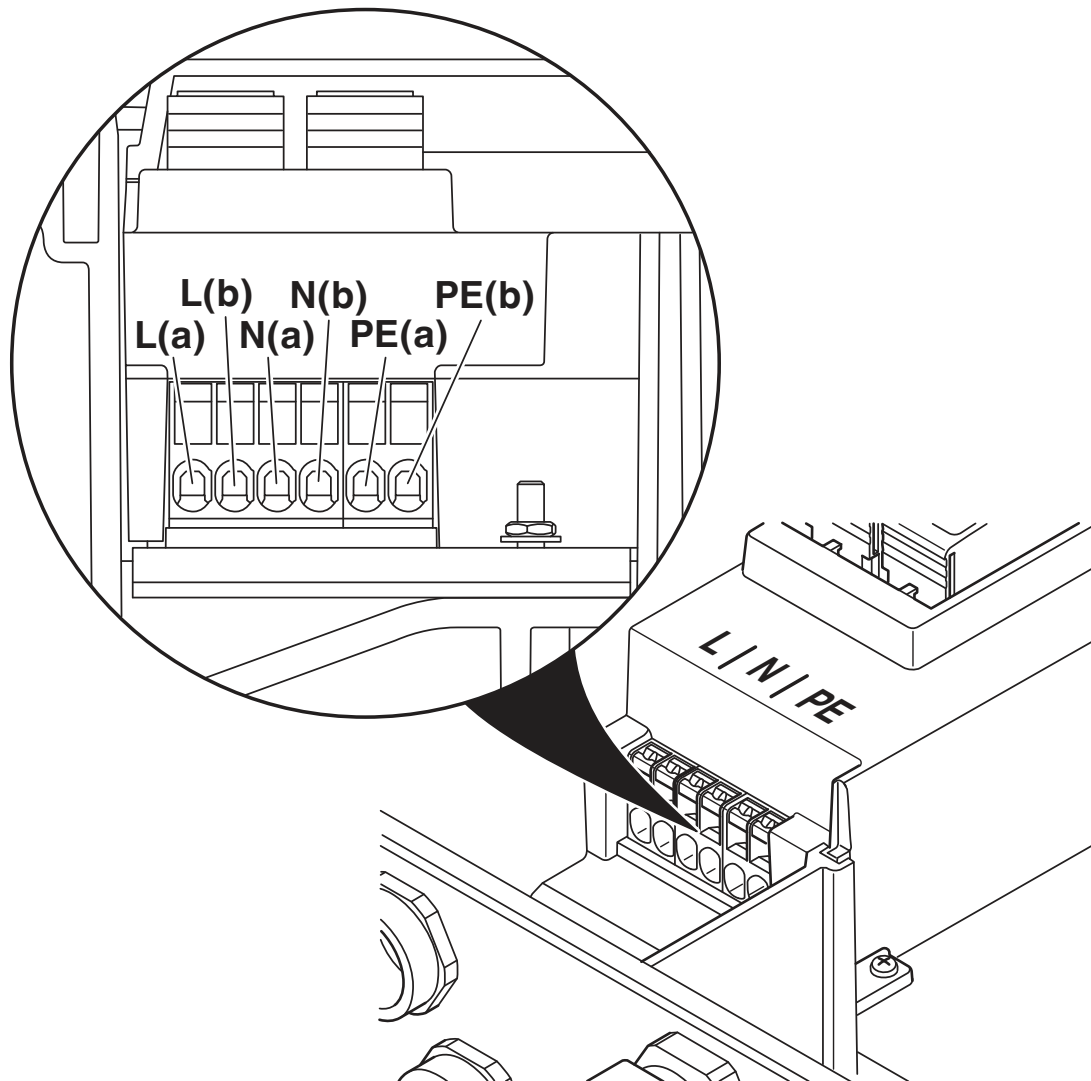
Dimensions

SCX 2POE 2T - Industrial Ethernet Switch

1108544

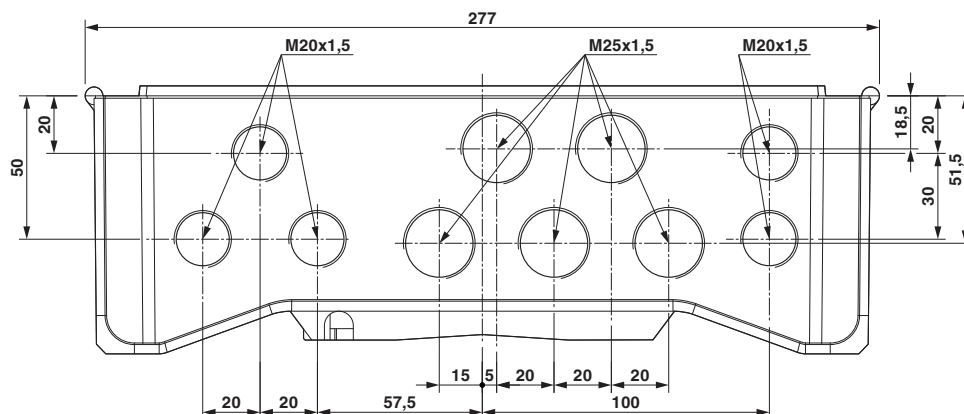
<https://www.phoenixcontact.com/gb/products/1108544>

Connection diagram



Connecting the supply voltage

Dimensional drawing



Underside dimensions

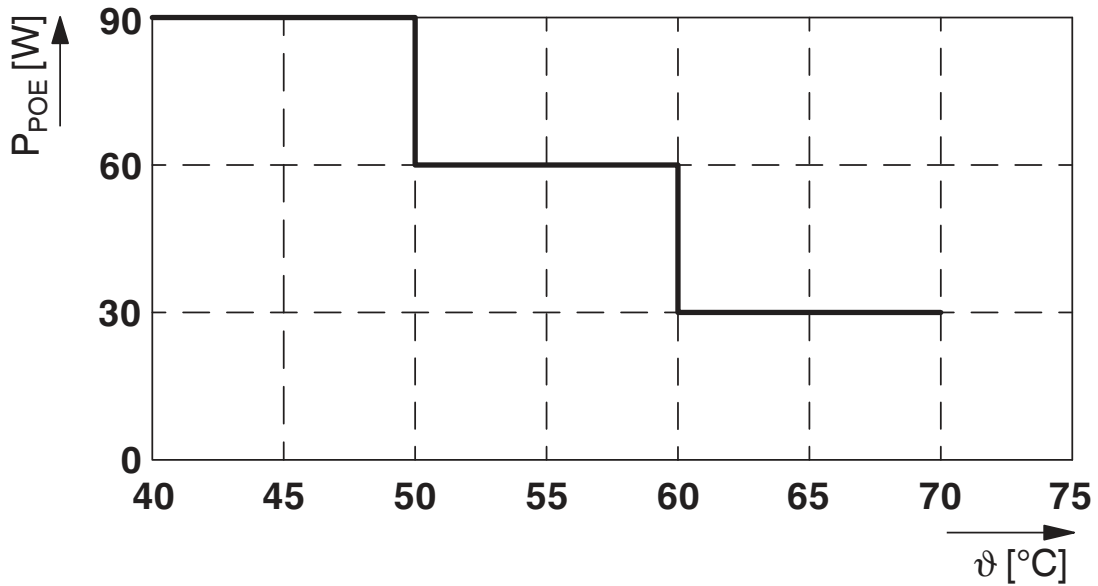
SCX 2POE 2T - Industrial Ethernet Switch



1108544

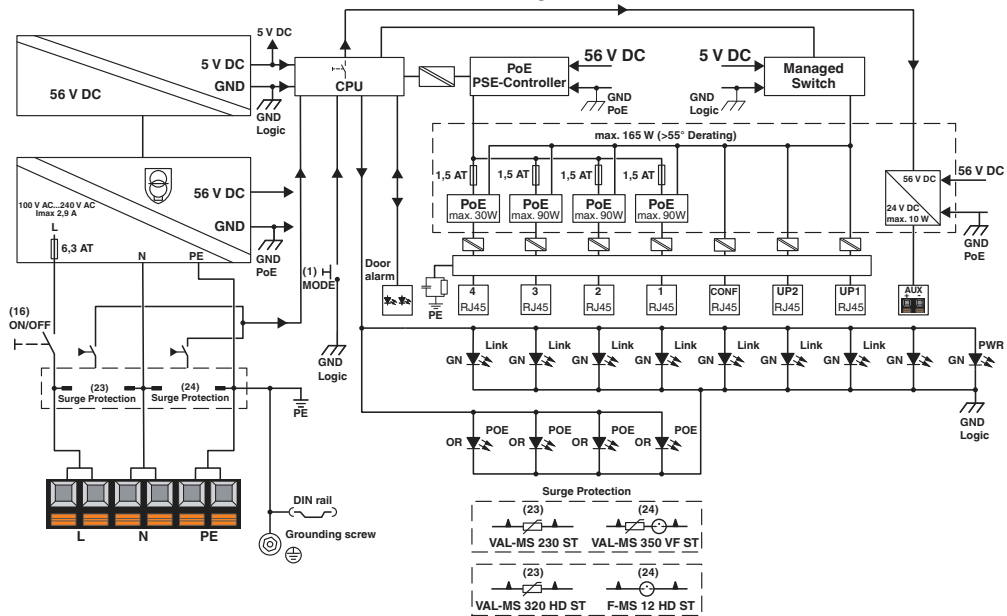
<https://www.phoenixcontact.com/gb/products/1108544>

Diagram



Derating per port

Circuit diagram

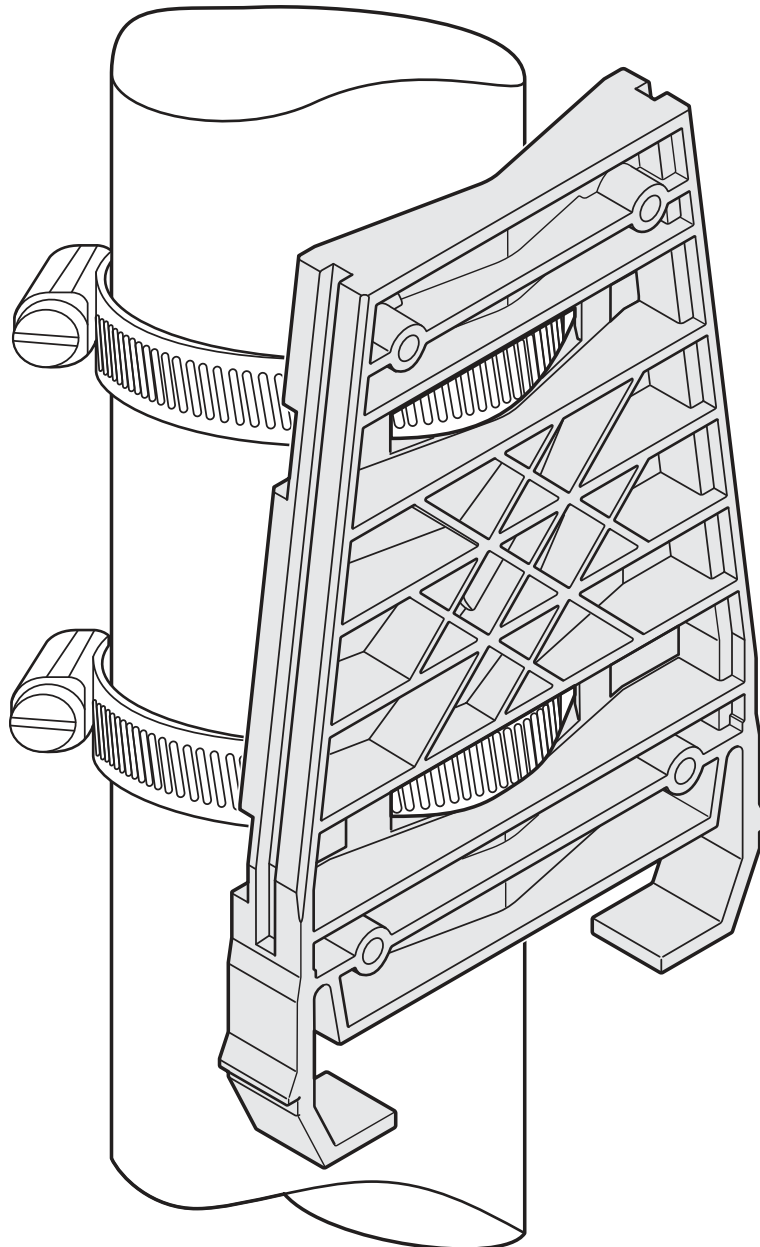


SCX 2POE 2T - Industrial Ethernet Switch

1108544

<https://www.phoenixcontact.com/gb/products/1108544>

Schematic diagram



Mast mounting

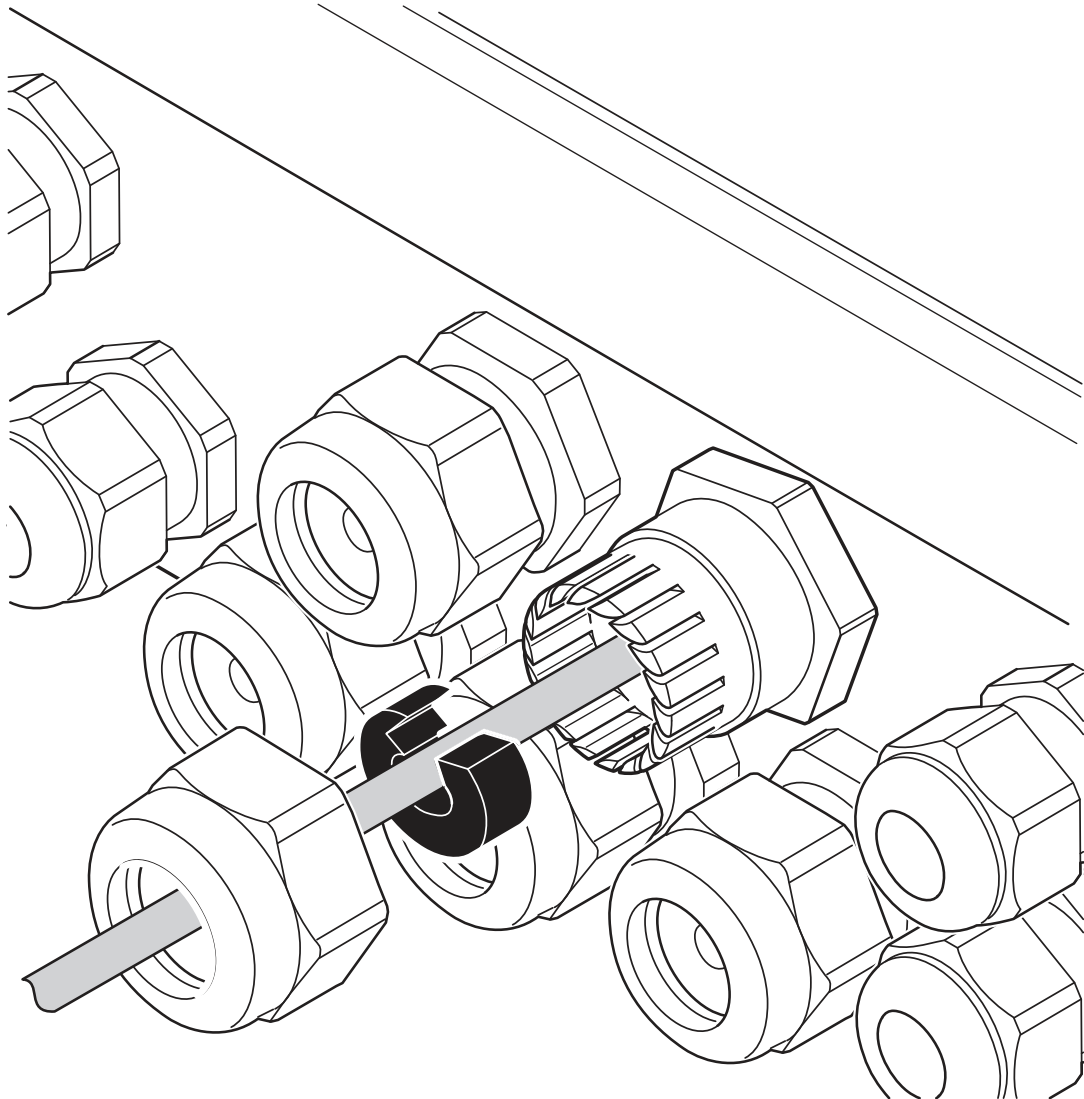
SCX 2POE 2T - Industrial Ethernet Switch



1108544

<https://www.phoenixcontact.com/gb/products/1108544>

Schematic diagram



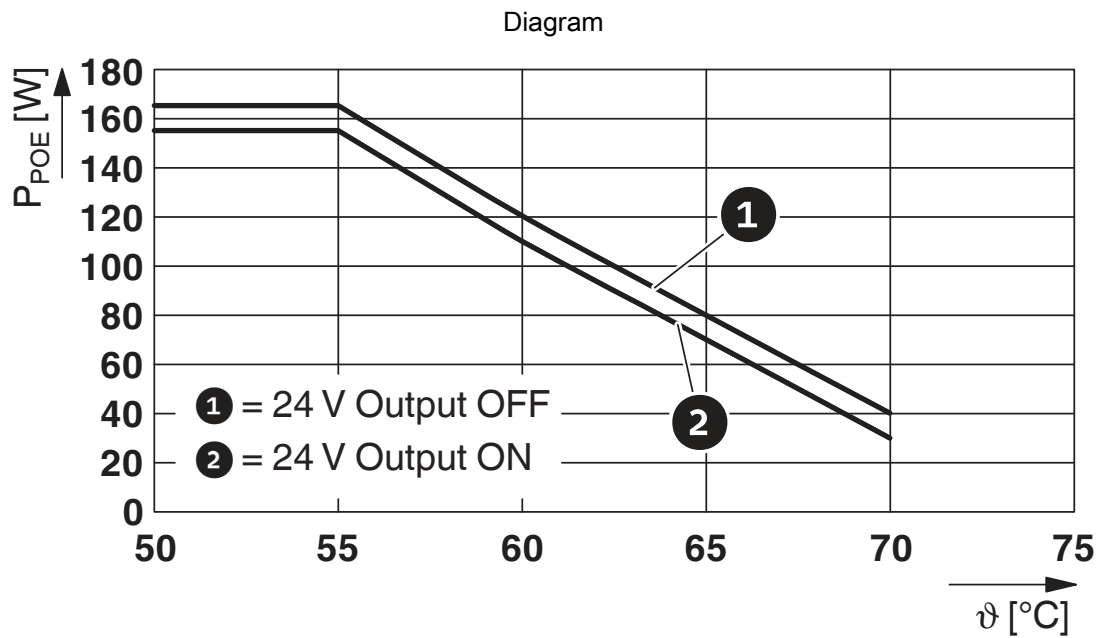
Cable gland

SCX 2POE 2T - Industrial Ethernet Switch



1108544

<https://www.phoenixcontact.com/gb/products/1108544>



Derating (PoE power total)

SCX 2POE 2T - Industrial Ethernet Switch



1108544

<https://www.phoenixcontact.com/gb/products/1108544>

Approvals

To download certificates, visit the product detail page: <https://www.phoenixcontact.com/gb/products/1108544>



cULus Listed

Approval ID: FILE E 238705



cULus Listed

Approval ID: FILE E 238705

SCX 2POE 2T - Industrial Ethernet Switch



1108544

<https://www.phoenixcontact.com/gb/products/1108544>

Classifications

ECLASS

ECLASS-11.0	27180590
ECLASS-12.0	27180590
ECLASS-13.0	27180590

ETIM

ETIM 8.0	EC000261
----------	----------

UNSPSC

UNSPSC 21.0	31261500
-------------	----------

SCX 2POE 2T - Industrial Ethernet Switch



1108544

<https://www.phoenixcontact.com/gb/products/1108544>

Environmental product compliance

REACH SVHC

Lead 7439-92-1

SCX 2POE 2T - Industrial Ethernet Switch

1108544

<https://www.phoenixcontact.com/gb/products/1108544>

Accessories

F-MS 12 HD ST - Type 2 surge protection plug

1224885

<https://www.phoenixcontact.com/gb/products/1224885>



Replacement plug for the SCX Smart Camera Box for the N-PE path.

VAL-MS 320 HD ST - Type 2 surge protection plug

1224886

<https://www.phoenixcontact.com/gb/products/1224886>



Replacement plug for the SCX Smart Camera Box for the L-N path.

SCX 2POE 2T - Industrial Ethernet Switch



1108544

<https://www.phoenixcontact.com/gb/products/1108544>

VAL-MS 230 ST - Type 2 surge protection plug

2798844

<https://www.phoenixcontact.com/gb/products/2798844>



Surge protection connector type 2 with high-capacity varistor for VAL-MS base element, thermal monitoring, visual fault warning. Design: 230 V AC

VAL-MS 350 VF ST - Type 2 surge protection plug

2856595

<https://www.phoenixcontact.com/gb/products/2856595>



Surge protection connector type 2 with series connection consisting of varistor and gas-filled spark gap for VAL-MS base element, thermal monitoring, visual fault warning. Design: 350 V AC

SCX 2POE 2T - Industrial Ethernet Switch



1108544

<https://www.phoenixcontact.com/gb/products/1108544>

SCX-CLAMP 14X51-127 - Mast clamp

1175556

<https://www.phoenixcontact.com/gb/products/1175556>

Mast clamps, 2 pcs, with quick mounting connection for installation on masts with a diameter of 51 ... 127 mm



SCX-CLAMP 14X102-254 - Mast clamp

1188634

<https://www.phoenixcontact.com/gb/products/1188634>

Mast clamps, 2 pcs, with quick mounting connection for installation on masts with a diameter of 102 ... 254 mm



SCX 2POE 2T - Industrial Ethernet Switch



1108544

<https://www.phoenixcontact.com/gb/products/1108544>

SCX-DOOR-LOCK - Locking

1184401

<https://www.phoenixcontact.com/gb/products/1184401>



Stable door lock with locking tab for securely locking the Smart Camera Box, protects against unauthorized access, for a padlock with a shackle diameter of up to 12 mm

FL NETWORK MANAGER BASIC - Network management software

2702889

<https://www.phoenixcontact.com/gb/products/2702889>



SNMP-based software for easy commissioning and monitoring of network components such as switches, routers, and WLAN access points

SCX 2POE 2T - Industrial Ethernet Switch



1108544

<https://www.phoenixcontact.com/gb/products/1108544>

NBC-R4AC-R4AC-IE8/.../... - Network cable

1411842

<https://www.phoenixcontact.com/gb/products/1411842>



Network cable, degree of protection: IP20, number of positions: 8, 1 Gbps, CAT5, cable outlet: straight, Ethernet

FL DIN-RAIL ADAPTER 22.5 - Mounting panel

1085485

<https://www.phoenixcontact.com/gb/products/1085485>



The FL DIN-RAIL ADAPTER 22.5 is designed to allow products 22.5 mm wide to be mounted flush to a standard 35 mm DIN rail, in any orientation.

SCX 2POE 2T - Industrial Ethernet Switch



1108544

<https://www.phoenixcontact.com/gb/products/1108544>

FL DIN-RAIL ADAPTER 40 - Mounting panel

1085484

<https://www.phoenixcontact.com/gb/products/1085484>



The FL DIN-RAIL ADAPTER 40 is designed to allow products 40 mm wide to be mounted flush to a standard 35 mm DIN rail, in any orientation.

DT-LAN-CAT.6+ - Surge protection device

2881007

<https://www.phoenixcontact.com/gb/products/2881007>



Surge protection in accordance with Class E_A (CAT6_A), for Gigabit Ethernet (up to 10 Gbps), token ring, FDDI/CDDI, ISDN, and DS1. Suitable for Power over Ethernet (PoE++ / 4PPoE) "Mode A" and "Mode B". RJ45 attachment plug with separate grounding cable and ground connection snap-on foot for NS 35 DIN rails.

Phoenix Contact 2023 © - all rights reserved
<https://www.phoenixcontact.com>

PHOENIX CONTACT Ltd
Halesfield 13, Telford
Shropshire, TF7 4PG
01952 681700
info@phoenixcontact.co.uk