

CLOUD CLIENT 1101T-TX/TX - Router



1221706

<https://www.phoenixcontact.com/gb/products/1221706>

Please be informed that the data shown in this PDF document is generated from our online catalog. Please find the complete data in the user documentation. Our general terms of use for downloads are valid.



Industrial VPN gateway for mGuard Secure Cloud, IPsec communication via operator network, 1 WAN port, 1 LAN port, routing function, 1 digital input, 1 digital output

Product description

The CLOUD CLIENT TX/TX is positioned as a cost-effective field device for secure remote maintenance scenarios via the operator network. The devices are optimized for use with the mGuard Secure Cloud. For this reason, all CLOUD CLIENT devices support Virtual Private Networks (VPNs) as standard. A scope of functions optimized for the mGuard Secure Cloud enables quick startup of the devices in the field.

Your advantages

- Secure communication via IPsec
- Configuration via web-based management or microSD card
- Cloud-based VPN infrastructure from Phoenix Contact
- Turnkey VPN infrastructure for operators, machine builders, and systems manufacturers
- Secure and reliable, thanks to industry-proven mGuard security technology

Commercial data

Item number	1221706
Packing unit	1 pc
Minimum order quantity	1 pc
Sales key	DNC422
Product key	DNC422
GTIN	4063151310271
Weight per piece (including packing)	326 g
Weight per piece (excluding packing)	326 g
Customs tariff number	85176200
Country of origin	DE

1221706

<https://www.phoenixcontact.com/gb/products/1221706>

Technical data

Notes

Utilization restriction

CCCex note	Use in potentially explosive areas is not permitted in China.
------------	---

Product properties

Product type	Remote maintenance gateway
--------------	----------------------------

Insulation characteristics

Pollution degree	2
------------------	---

Electrical properties

Electrical isolation	VCC // FE // Ethernet
Maximum power dissipation for nominal condition	4.8 W
Mains type	Ethernet

Supply

Supply voltage range	10 V DC ... 30 V DC (SELV, via pluggable Push-in terminal block)
Typical current consumption	< 200 mA (24 V DC)
Max. current consumption	500 mA

Function

Management	Web-based management
------------	----------------------

Input data

Digital

Description of the input	Digital input
Number of inputs	1
Voltage input signal	10 V DC ... 30 V DC
Switching level "1" signal	10 V DC ... 30 V DC

Output data

Signal

Output name	Digital output
Number of outputs	1
Voltage output signal	10 V DC ... 30 V DC (depending on the operating voltage)
Current output signal	≤ 50 mA (Not short-circuit proof)

Connection data

Supply

Conductor cross section, flexible	0.14 mm ² ... 1.50 mm ²
Conductor cross section, rigid	0.14 mm ² ... 1.50 mm ²

CLOUD CLIENT 1101T-TX/TX - Router



1221706

<https://www.phoenixcontact.com/gb/products/1221706>

Conductor cross section AWG	26 ... 16
-----------------------------	-----------

Interfaces

Signal	Ethernet
--------	----------

Data: Ethernet interface, 10/100Base-T(X) in accordance with IEEE 802.3

Serial transmission speed	10/100 Mbps, auto negotiation
Connection method	RJ45 jack, shielded
No. of channels	2 (LAN + WAN, SELV)
Transmission length	100 m (shielded twisted pair)
Protocols supported	TCP/IP, UDP/IP, FTP, HTTP(S)
Auxiliary protocols	ARP, DHCP, PING (ICMP)

Dimensions

Width	45 mm
Height	130 mm
Depth	126 mm

Material specifications

Material	Plastic
----------	---------

Environmental and real-life conditions

Ambient conditions

Degree of protection	IP20
Ambient temperature (operation)	-40 °C ... 70 °C
Ambient temperature (storage/transport)	-40 °C ... 85 °C
Permissible humidity (operation)	10 % ... 95 % (non-condensing)
Permissible humidity (storage/transport)	10 % ... 95 % (non-condensing)

Approvals

CE

Certificate	CE-compliant
-------------	--------------

UL, USA/Canada

Identification	Class I, Zone 2, AEx nA IIC T4 / Ex nA IIC T4 Gc Class I, Div. 2, Groups A, B, C, D T4
----------------	---

Corrosive gas test

Identification	ISA-S71.04-1985 G3 Harsh Group A
----------------	----------------------------------

EMC data

Noise immunity	EN 61000-6-2
Electromagnetic compatibility	Conformance with EMC Directive 2014/30/EU

Electrostatic discharge

Standards/regulations	EN 61000-4-2
-----------------------	--------------

CLOUD CLIENT 1101T-TX/TX - Router



1221706

<https://www.phoenixcontact.com/gb/products/1221706>

Electrostatic discharge

Contact discharge	± 6 kV (Test Level 3)
Discharge in air	± 8 kV (Test Level 3)
Comments	Criterion B

Electromagnetic HF field

Standards/regulations	EN 61000-4-3
-----------------------	--------------

Electromagnetic HF field

Frequency range	80 MHz ... 3 GHz (Test Level 3)
Field intensity	10 V/m
Comments	Criterion A

Fast transients (burst)

Standards/regulations	EN 61000-4-4
-----------------------	--------------

Fast transients (burst)

Input	± 2 kV (Test Level 3)
Signal	± 2 kV (Ethernet)
Comments	Criterion B

Surge current load (surge)

Standards/regulations	EN 61000-4-5
-----------------------	--------------

Surge current load (surge)

Input	± 0.5 kV (symmetrical)
	± 1 kV (asymmetrical)
Signal	± 1 kV (Data line, asymmetrical)
Comments	Criterion B

Conducted interference

Standards/regulations	EN 61000-4-6
-----------------------	--------------

Conducted interference

Frequency range	0.15 MHz ... 80 MHz
Comments	Criterion A
Voltage	10 V

Emitted interference

Radio interference voltage in acc. with EN 55011	Class B, area of application: Industry and residential
Emitted radio interference in acc. with EN 55011	Class B, area of application: Industry and residential

Criteria

Criterion A	Normal operating behavior within the specified limits.
Criterion B	Temporary impairment to operational behavior that is corrected by the device itself.

Mounting

CLOUD CLIENT 1101T-TX/TX - Router



1221706

<https://www.phoenixcontact.com/gb/products/1221706>

Mounting type	DIN rail mounting
---------------	-------------------

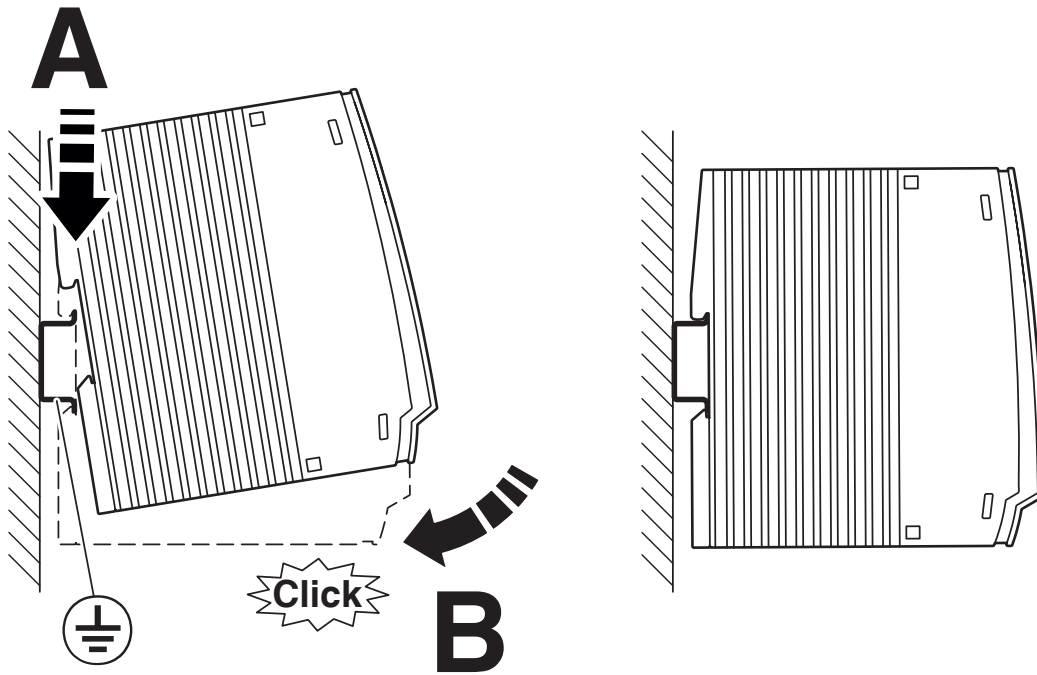
CLOUD CLIENT 1101T-TX/TX - Router

1221706

<https://www.phoenixcontact.com/gb/products/1221706>

Drawings

Schematic diagram



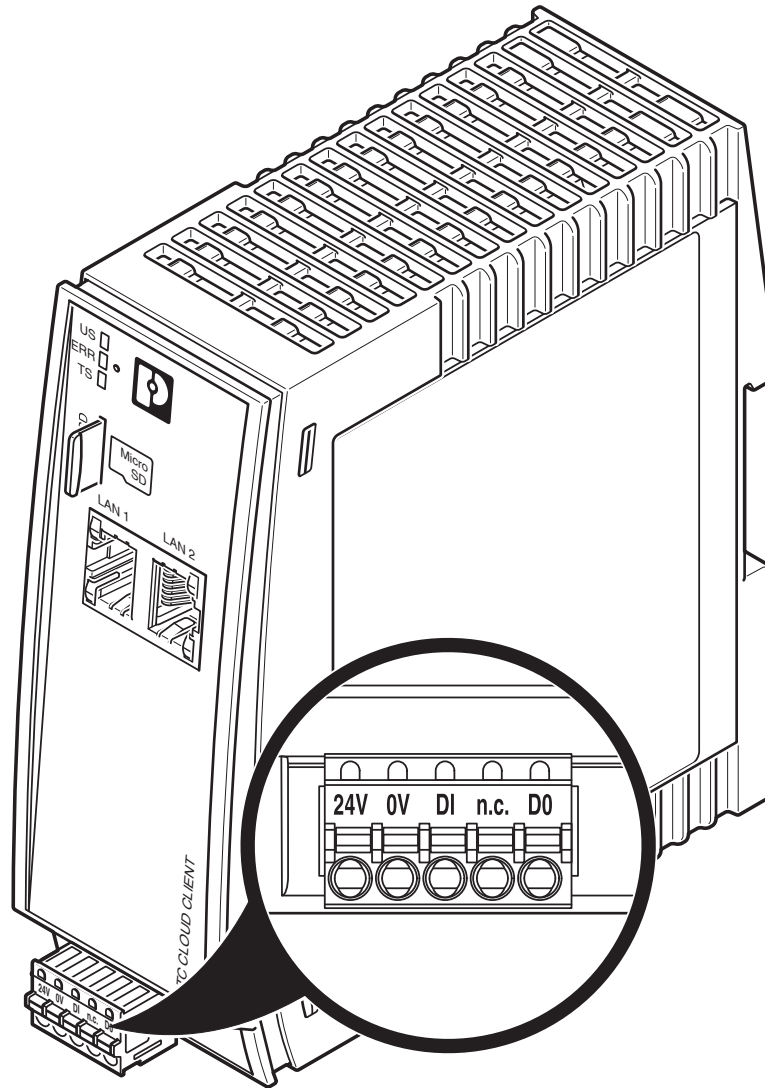
DIN rail mounting

CLOUD CLIENT 1101T-TX/TX - Router

1221706

<https://www.phoenixcontact.com/gb/products/1221706>

Schematic diagram



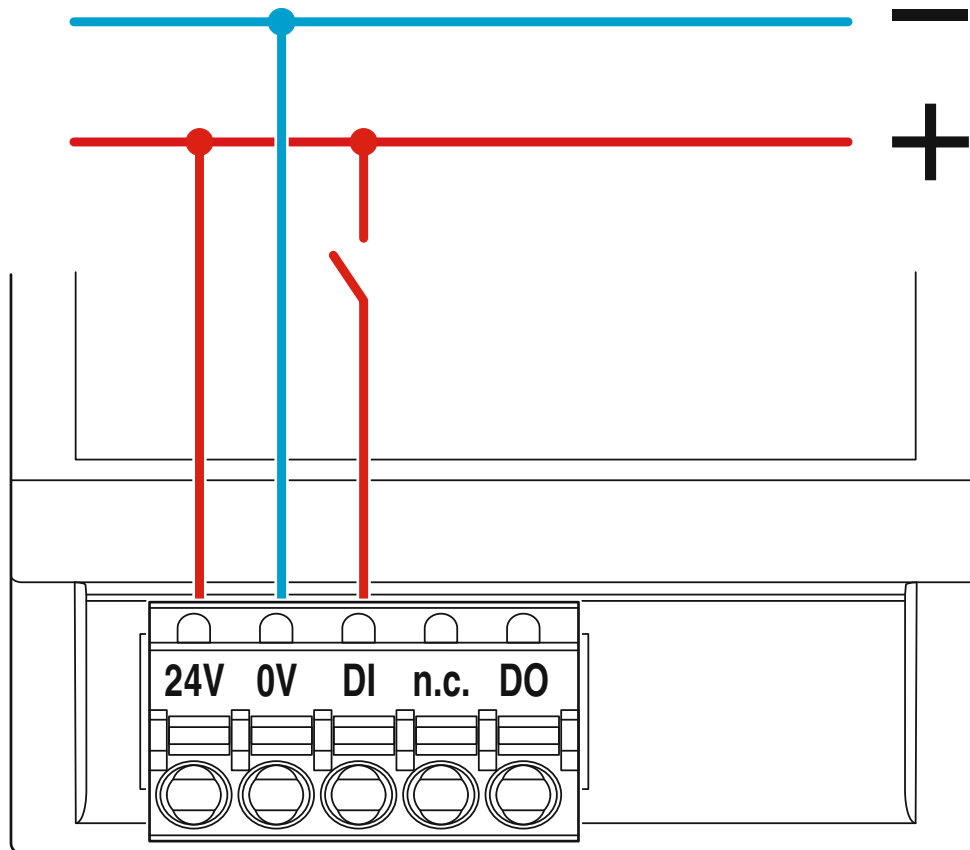
Connecting the supply voltage

CLOUD CLIENT 1101T-TX/TX - Router

1221706

<https://www.phoenixcontact.com/gb/products/1221706>

Connection diagram



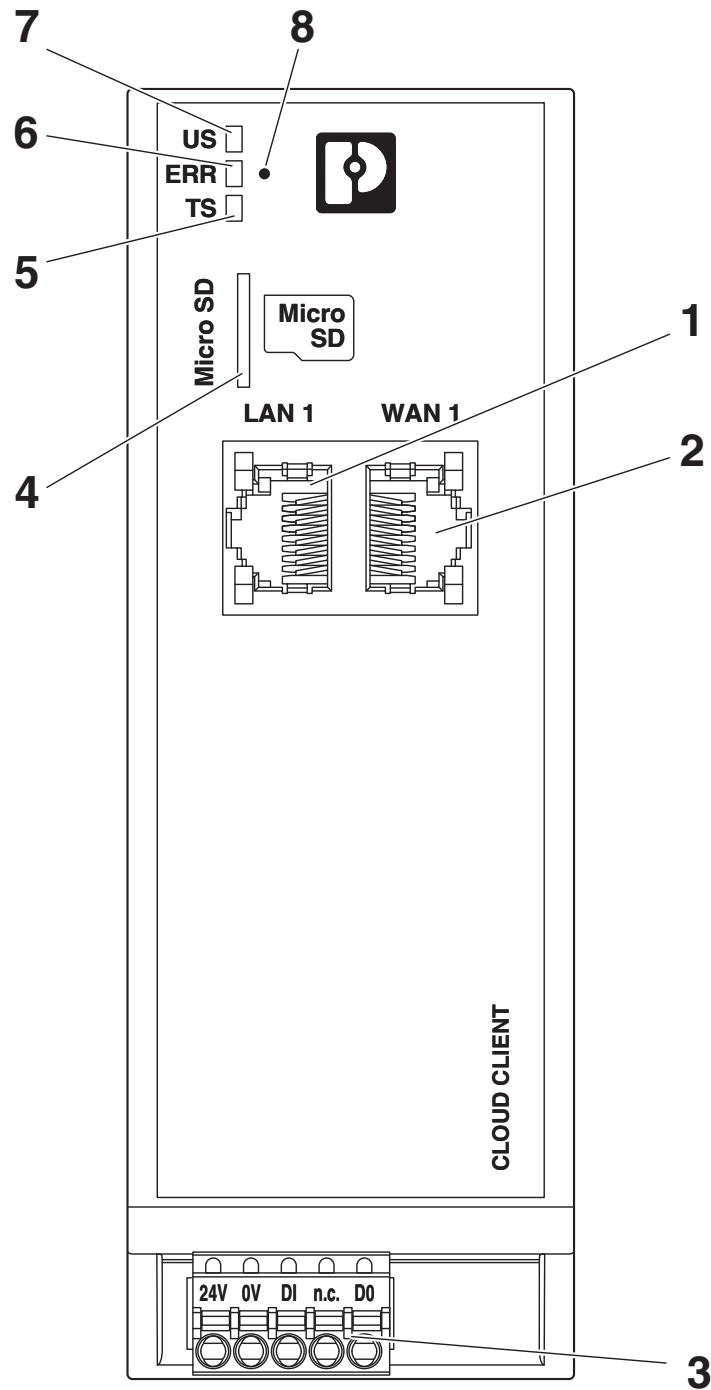
Switching input and switching output

CLOUD CLIENT 1101T-TX/TX - Router

1221706

<https://www.phoenixcontact.com/gb/products/1221706>

Schematic diagram



Front view


CLOUD CLIENT 1101T-TX/TX - Router



1221706

<https://www.phoenixcontact.com/gb/products/1221706>

Approvals

 To download certificates, visit the product detail page: <https://www.phoenixcontact.com/gb/products/1221706>



cULus Listed

Approval ID: FILE E 238705



cULus Listed

Approval ID: FILE E 366272

CLOUD CLIENT 1101T-TX/TX - Router



1221706

<https://www.phoenixcontact.com/gb/products/1221706>

Classifications

ECLASS

ECLASS-11.0	19170405
ECLASS-12.0	19170405
ECLASS-13.0	19170405

ETIM

ETIM 8.0	EC001478
----------	----------

UNSPSC

UNSPSC 21.0	43222600
-------------	----------

CLOUD CLIENT 1101T-TX/TX - Router



1221706

<https://www.phoenixcontact.com/gb/products/1221706>

Accessories

TRIO-PS-2G/1AC/24DC/3/C2LPS - Power supply unit

2903147

<https://www.phoenixcontact.com/gb/products/2903147>

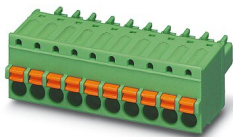


Primary-switched TRIO POWER power supply with push-in connection for DIN rail mounting, input: 1-phase, output: 24 V DC/3 A C2LPS

FK-MCP 1,5/ 5-ST-3,81GY35BD-D0 - PCB connector

1105116

<https://www.phoenixcontact.com/gb/products/1105116>



PCB connector, nominal cross section: 1.5 mm², color: light grey, nominal current: 8 A, rated voltage (III/2): 160 V, contact surface: Tin, contact connection type: Socket, number of rows: 1, number of positions: 5, product range: FK-MCP 1,5/..-ST, pitch: 3.81 mm, connection method: Push-in spring connection, conductor/PCB connection direction: 0 °, plug-in system: COMBICON MC 1,5, locking: without, mounting: without, type of packaging: packed in cardboard

Phoenix Contact 2023 © - all rights reserved

<https://www.phoenixcontact.com>

PHOENIX CONTACT Ltd

Halesfield 13, Telford

Shropshire, TF7 4PG

01952 681700

info@phoenixcontact.co.uk