

FL SWITCH TSN 2312-2GC-2SFP - Industrial Ethernet Switch



1232305

<https://www.phoenixcontact.com/gb/products/1232305>

Please be informed that the data shown in this PDF document is generated from our online catalog. Please find the complete data in the user documentation. Our general terms of use for downloads are valid.



Managed TSN Switch 2000, 12 RJ45 ports 10/100/1000 Mbps, 2 SFP ports 100/1000 Mbps, 2 Combo ports 10/100/1000 Mbps, PROFINET Conformance-Class B

Your advantages

- Realization of innovative TSN applications with precise time synchronization in accordance with IEEE 802.1AS, frame preemption and PROFINET stream
- Extensive options for setting up decentral and time-critical applications
- Improved performance, robustness, and availability of Ethernet networks
- Can be used in classic applications as well as TSN networks
- Supports all functions of the FL SWITCH 2300 series

Commercial data

Item number	1232305
Packing unit	1 pc
Minimum order quantity	1 pc
Sales key	DNN127
Product key	DNN127
GTIN	4063151333058
Weight per piece (including packing)	723 g
Weight per piece (excluding packing)	445 g
Country of origin	DE

FL SWITCH TSN 2312-2GC-2SFP - Industrial Ethernet Switch

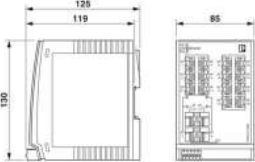


1232305

<https://www.phoenixcontact.com/gb/products/1232305>

Technical data

Dimensions

Dimensional drawing	
Width	85 mm
Height	130 mm
Depth	115 mm

Notes

General	Support by phone or on-site (fee is charged)
---------	--

Material specifications

Housing material	Polycarbonate fiber reinforced
------------------	--------------------------------

Mounting

Mounting type	DIN rail mounting
---------------	-------------------

Interfaces

Ethernet (RJ45)

Connection method	RJ45
Note on the connection method	Auto negotiation and autocrossing
Transmission speed	10/100/1000 Mbps
Transmission physics	Copper
Transmission length	100 m (per segment)
Signal LEDs	Data receive, link status
No. of channels	12 (RJ45 ports)

Ethernet (SFP)

Number of interfaces	2
Connection method	SFP
Transmission speed	100/1000 Mbps (full duplex)
Transmission physics	Depending on the SFP module
Transmission length	up to 80 km (depending on the SFP module used)
Signal LEDs	Data receive, link status
No. of channels	2 (SFP ports)

Ethernet (combo)

Number of interfaces	2
Connection method	SFP/RJ45

FL SWITCH TSN 2312-2GC-2SFP - Industrial Ethernet Switch



1232305

<https://www.phoenixcontact.com/gb/products/1232305>

Note on the connection method	Auto negotiation and autocrossing
Transmission speed	10/100/1000 Mbps (full duplex)
Transmission physics	Depending on the SFP module
Transmission length	up to 80 km (Depending on the fiber/SFP module used)
Signal LEDs	Data receive, link status
No. of channels	2 (Combo ports)

Output data

Digital

Output name	Alarm output
Output name	Alarm output

Product properties

Type	Book type
Product type	Switch
Product family	Managed TSN Switch 2000
MTTF	257.17 Years (SN 29500 standard, temperature 25°C, operating cycle 21%)
	126.12 Years (SN 29500 standard, temperature 40°C, operating cycle 34.25%)
	25.76 Years (SN 29500 standard, temperature 60°C, operating cycle 100%)

Insulation characteristics

Protection class	III (VDE 0106)
Degree of pollution	2

Switch functions

Diagnostic functions	RMON History
	LLDP (Link Layer Discovery Protocol)
	SNMP-Traps
	N:1-Portmirroring
	ACD (Address Conflict Detection)
	SysLog
	CRC-Surveillance
Basic functions	Store-and-forward switch, complies with IEEE 802.3
Signal contact control voltage	typ. 24 V DC
PROFINET conformance class	Conformance-Class B
PROFINET device function	PROFINET device
	Fast Startup
Filter functions	Quality of Service (8 priority classes)
	Class of Service
	DiffServ/DSCP
	Port-Priorisierung
	VLAN (up to 32 VLANs)

FL SWITCH TSN 2312-2GC-2SFP - Industrial Ethernet Switch



1232305

<https://www.phoenixcontact.com/gb/products/1232305>

	IGMP Snooping/Querier (v1/v2)
	Auto-Query-Port
	Extended Multicast Filtering
IP parameterization	DHCP-Client
	DHCP Option 82 (Relay Agent)
	DHCP server (pool-based, port-based)
	BootP
	DCP (Discovery and Configuration Protocol)
MAC address table	32k
Management	Web-based management (HTTP/HTTPS)
	Role-based user management (LDAP, RADIUS)
	SNMPv1/v2/v3
	Command Line Interface (Telnet, SSH)
Redundancy	MRP (Media Redundancy Protocol)
	RSTP (Rapid Spanning Tree Protocol)
	FRD (Fast Ring Detection)
	Large Tree Support
	LACP (Link Aggregation Control Protocol)
	PROFINET S2 system redundancy
Status and diagnostic indicators	LEDs: US1, US2 (power supply), Fail (alarm contact), 2 LEDs per Ethernet port (Link/Activity and Speed)
Additional functions	Jumbo frames (max. 9,600 bytes)
	Transmission of MMS and GOOSE (IEC 61850-8-1)
	Transmission of Modbus/TCP
Time synchronization	SNTP (Simple Network Time Protocol)
	gPTP (IEEE 802.1AS)

Security functions

Port security	MAC-based, RADIUS (IEEE 802.1X), MAC Authentication Bypass
Basic functions	Store-and-forward switch, complies with IEEE 802.3

Electrical properties

Local diagnostics	US1/2 Supply voltage US1, US2 Green LED
	FAIL Div. LED red
	LINK Link status Green LED
Maximum power dissipation for nominal condition	31.2 W ($U_S = \text{Min}$, $T_{\text{amb}} = \text{Max}$, $DO_1 = \text{Max}$)
Test voltage	500 V DC
Test section	for one minute 500 V DC
Transmission medium	Copper
	FO

Supply

Supply voltage (DC)	24 V DC (redundant)
Supply voltage range	12 V DC ... 57 V DC

FL SWITCH TSN 2312-2GC-2SFP - Industrial Ethernet Switch



1232305

<https://www.phoenixcontact.com/gb/products/1232305>

Power supply connection	via COMBICON, max. conductor cross section 1.5 mm ²
Residual ripple	3.6 V _{PP} (within the permitted voltage range)
Max. current consumption	2.6 A (U _S = Min, T _{amb} = Max, DO _I = Max)
Typical current consumption	790 mA (at U _S = 24 V DC and 25 °C ambient temperature)
Current consumption	790 mA

Function

Signal contact control voltage	typ. 24 V DC
--------------------------------	--------------

Connection data

Connection method	Push-in spring connection
Note on the connection method	Use only copper connecting cables providing the permitted temperature range (-40 °C ... 75 °C).
Conductor cross section, rigid	0.25 mm ² ... 1.5 mm ²
Conductor cross section, flexible	0.25 mm ² ... 1.5 mm ²
Conductor cross section AWG	24 ... 16
Stripping length	9 mm

Environmental and real-life conditions

Ambient conditions

Degree of protection	IP20
Ambient temperature (operation)	-40 °C ... 60 °C
Ambient temperature (storage/transport)	-40 °C ... 85 °C
Permissible humidity (operation)	10 % ... 95 % (non-condensing)
Permissible humidity (storage/transport)	10 % ... 95 % (non-condensing)
Shock (operation)	30g (EN 60068-2-27)
Vibration (operation)	in acc. with IEC 60068-2-6: 5g, 150 Hz
Air pressure (operation)	79 kPa ... 108 kPa up to 2000 m above mean sea level (Without derating)
Air pressure (storage/transport)	79 kPa ... 108 kPa up to 2000 m above mean sea level (Without derating)

Standards and regulations

Free from substances that could impair the application of coating	Yes
---	-----

EMC data

Conformance with EMC directives	EN 61000-6-2 EN 61000-4-2 (ESD) Criterion B
	EN 61000-6-2 EN 61000-4-3 (electromagnetic fields) Criterion A
	EN 61000-6-2 EN 61000-4-4 (EFT burst) Criterion A
	EN 61000-6-2 EN 61000-4-5 (surge) Criterion A
	EN 61000-6-2 EN 61000-4-6 (line noise immunity) Criterion A
	EN 61000-6-2 EN 61000-6-4 (interference) Class A
	EN 61000-6-2 EN 61000-6-4 (conducted interference) Class A
Noise immunity	EN 61000-6-2
Electromagnetic compatibility	Conformance with EMC Directive 2014/30/EU

FL SWITCH TSN 2312-2GC-2SFP - Industrial Ethernet Switch



1232305

<https://www.phoenixcontact.com/gb/products/1232305>

Noise emission	EN 61000-6-4
----------------	--------------

System properties

Functionality

Basic functions	Store-and-forward switch, complies with IEEE 802.3
-----------------	--

Signaling

Status display	LEDs: US1, US2 (power supply), Fail (alarm contact), 2 LEDs per Ethernet port (Link/Activity and Speed)
----------------	---

FL SWITCH TSN 2312-2GC-2SFP - Industrial Ethernet Switch

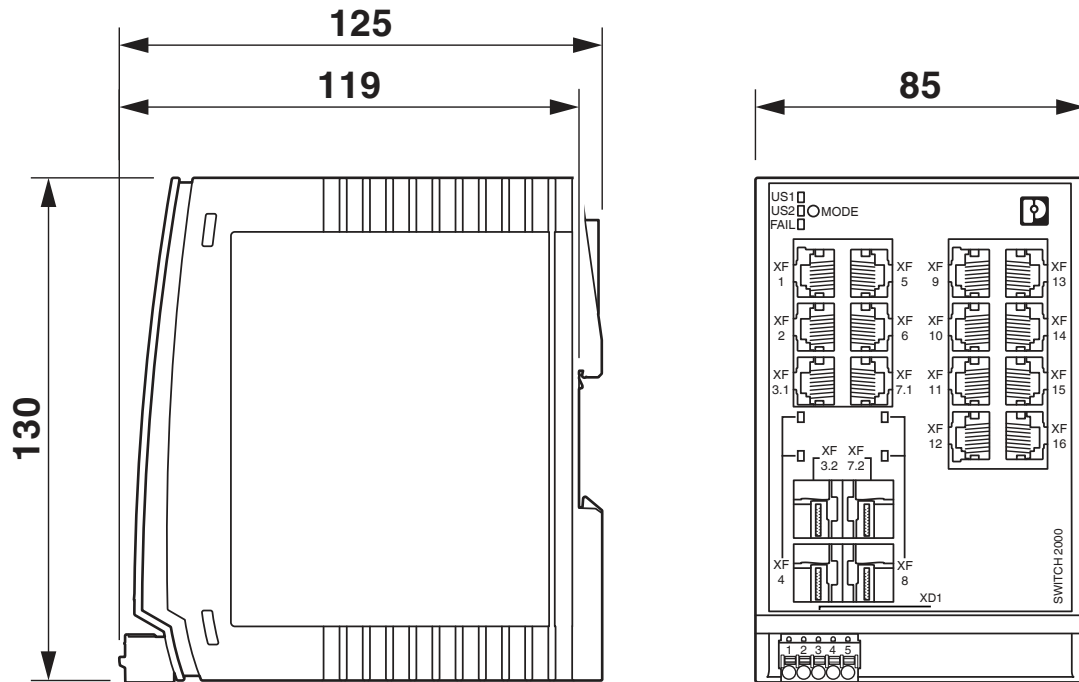


1232305

<https://www.phoenixcontact.com/gb/products/1232305>

Drawings

Dimensional drawing



FL SWITCH TSN 2312-2GC-2SFP - Industrial Ethernet Switch



1232305

<https://www.phoenixcontact.com/gb/products/1232305>

Classifications

ECLASS

ECLASS-11.0	19170401
ECLASS-12.0	19170401
ECLASS-13.0	19170401

ETIM

ETIM 9.0	EC000734
----------	----------

FL SWITCH TSN 2312-2GC-2SFP - Industrial Ethernet Switch



1232305

<https://www.phoenixcontact.com/gb/products/1232305>

Environmental product compliance

China RoHS	Environmentally Friendly Use Period = 50 years For information on hazardous substances, refer to the manufacturer's declaration available under "Downloads"
------------	--

FL SWITCH TSN 2312-2GC-2SFP - Industrial Ethernet Switch



1232305

<https://www.phoenixcontact.com/gb/products/1232305>

Accessories

SD FLASH 2GB - Program / configuration memory

2988162

<https://www.phoenixcontact.com/gb/products/2988162>



Program and configuration memory, for extending the internal flash memory, pluggable, 2 GB.

FL NETWORK MANAGER BASIC - Network management software

2702889

<https://www.phoenixcontact.com/gb/products/2702889>



SNMP-based software for easy commissioning and monitoring of network components such as switches, routers, and WLAN access points

FL SWITCH TSN 2312-2GC-2SFP - Industrial Ethernet Switch



1232305

<https://www.phoenixcontact.com/gb/products/1232305>

FL DIN RA - DIN rail adapter

2891053

<https://www.phoenixcontact.com/gb/products/2891053>

The FL DIN RA is installed in a standard, 19-inch rack (EIA-310-D, IEC 60297-3-100) to allow DIN rail mounted equipment to be rack mounted.



FL RJ45 PROTECT CAP - Dust protection

2832991

<https://www.phoenixcontact.com/gb/products/2832991>

Dust protection caps for RJ45 socket



FL SWITCH TSN 2312-2GC-2SFP - Industrial Ethernet Switch



1232305

<https://www.phoenixcontact.com/gb/products/1232305>

E/NS 35 N - End bracket

0800886

<https://www.phoenixcontact.com/gb/products/0800886>

End clamp, width: 9.5 mm, color: gray



FK-MCP 1,5/ 5-ST-3,81GY35BD1-5 - PCB connector

1015782

<https://www.phoenixcontact.com/gb/products/1015782>



PCB connector, nominal cross section: 1.5 mm², color: light grey, nominal current: 8 A, rated voltage (III/2): 160 V, contact surface: Tin, contact connection type: Socket, number of potentials: 5, number of rows: 1, number of positions: 5, number of connections: 5, product range: FK-MCP 1,5/...-ST, pitch: 3.81 mm, connection method: Push-in spring connection, conductor/PCB connection direction: 0 °, plug-in system: COMBICON MC 1,5, locking: without, mounting: without, type of packaging: packed in cardboard

FL SWITCH TSN 2312-2GC-2SFP - Industrial Ethernet Switch



1232305

<https://www.phoenixcontact.com/gb/products/1232305>

MCVW 1,5/ 5-ST-3,81GY7035BD2DO - PCB connector

1034096

<https://www.phoenixcontact.com/gb/products/1034096>



PCB connector, nominal cross section: 1.5 mm², color: light grey, nominal current: 8 A, rated voltage (III/2): 160 V, contact surface: Tin, contact connection type: Socket, number of potentials: 5, number of rows: 1, number of positions: 5, number of connections: 5, product range: MCVW 1,5/...-ST, pitch: 3.81 mm, connection method: Screw connection with tension sleeve, screw head form: L Slotted, conductor/PCB connection direction: -90 °, plug-in system: COMBICON MC 1,5, locking: without, mounting: without, type of packaging: packed in cardboard

FL SFP FX - Media module

2891081

<https://www.phoenixcontact.com/gb/products/2891081>



The small form-factor plug-in module provides a fiber optic interface with a data transmission speed of 100 Mbps with a wavelength of 1310 nm (long).

FL SWITCH TSN 2312-2GC-2SFP - Industrial Ethernet Switch



1232305

<https://www.phoenixcontact.com/gb/products/1232305>

FL SFP FX SM - Media module

2891082

<https://www.phoenixcontact.com/gb/products/2891082>



The small form-factor plug-in module provides a fiber optic interface with a data transmission speed of 100 Mbps with a wavelength of 1310 nm (long).

FL SFP SX - Media module

2891754

<https://www.phoenixcontact.com/gb/products/2891754>



Gigabit SFP module for transmission up to 1 km with a wavelength of 850 nm.

FL SWITCH TSN 2312-2GC-2SFP - Industrial Ethernet Switch



1232305

<https://www.phoenixcontact.com/gb/products/1232305>

FL SFP SX2 - Media module

2702397

<https://www.phoenixcontact.com/gb/products/2702397>



Gigabit SFP module for transmission up to 2 km with a wavelength of 1310 nm.

FL SFP LX10-B - Media module

1025401

<https://www.phoenixcontact.com/gb/products/1025401>



Gigabit SFP module for transmission up to 10 km with a wavelength of 1310 nm.

FL SWITCH TSN 2312-2GC-2SFP - Industrial Ethernet Switch



1232305

<https://www.phoenixcontact.com/gb/products/1232305>

FL SFP LX - Media module

2891767

<https://www.phoenixcontact.com/gb/products/2891767>



Gigabit SFP module for transmission up to 30 km with a wavelength of 1310 nm.

FL SFP LX40 - Media module

1113081

<https://www.phoenixcontact.com/gb/products/1113081>



Gigabit SFP module for transmission up to 40 km with a wavelength of 1310 nm

FL SWITCH TSN 2312-2GC-2SFP - Industrial Ethernet Switch



1232305

<https://www.phoenixcontact.com/gb/products/1232305>

FL SFP LH - Media module

2989912

<https://www.phoenixcontact.com/gb/products/2989912>



Gigabit SFP module for transmission up to 80 km with a wavelength of 1,550 nm.

FL SFP WDM10-SET - Media module

2702442

<https://www.phoenixcontact.com/gb/products/2702442>



Gigabit SFP WDM set for transmission up to a maximum of 10 km on a single fiber with a wavelength of 1310/1550 nm.

FL SWITCH TSN 2312-2GC-2SFP - Industrial Ethernet Switch



1232305

<https://www.phoenixcontact.com/gb/products/1232305>

FL SFP FE WDM20-SET - Media module

2702439

<https://www.phoenixcontact.com/gb/products/2702439>

Fast Ethernet SFP WDM set for transmission up to a maximum of 20 km on a single fiber with a wavelength of 1310/1550 nm.



FL SFP GT - Media module

2989420

<https://www.phoenixcontact.com/gb/products/2989420>

Gigabit SFP module for transmission up to 100 m.



FL SWITCH TSN 2312-2GC-2SFP - Industrial Ethernet Switch



1232305

<https://www.phoenixcontact.com/gb/products/1232305>

FL CAT5 PATCH 0,5 - Patch cable

2832263

<https://www.phoenixcontact.com/gb/products/2832263>

Patch cable, CAT5, assembled, 0.5 m



FL CAT5 PATCH 1,0 - Patch cable

2832276

<https://www.phoenixcontact.com/gb/products/2832276>

Patch cable, CAT5, assembled, 1 m



FL SWITCH TSN 2312-2GC-2SFP - Industrial Ethernet Switch



1232305

<https://www.phoenixcontact.com/gb/products/1232305>

FL CAT5 PATCH 2,0 - Patch cable

2832289

<https://www.phoenixcontact.com/gb/products/2832289>



Patch cable, CAT5, assembled, 2 m

NBC-R4AC-R4AC-IE8A/.../... - Patch cable

1411854

<https://www.phoenixcontact.com/gb/products/1411854>



Patch cable, degree of protection: IP20, number of positions: 8, 10 Gbps, CAT6_A, cable outlet: straight, Ethernet

FL SWITCH TSN 2312-2GC-2SFP - Industrial Ethernet Switch



1232305

<https://www.phoenixcontact.com/gb/products/1232305>

NBC-R4AC/10G-R4AC/10G-94F/2,0 - Patch cable

1408360

<https://www.phoenixcontact.com/gb/products/1408360>



Patch cable, CAT6_A, 4-pair, shielded, connection not crossed (line), assembled at both ends with RJ45/IP20 connectors, outer sheath material: PUR, length: 2.0 m

NBC-R4AC/10G-R4AC/10G-94F/3,0 - Patch cable

1408365

<https://www.phoenixcontact.com/gb/products/1408365>



Patch cable, CAT6_A, 4-pair, shielded, connection not crossed (line), assembled at both ends with RJ45/IP20 connectors, outer sheath material: PUR, length: 3.0 m

FL SWITCH TSN 2312-2GC-2SFP - Industrial Ethernet Switch



1232305

<https://www.phoenixcontact.com/gb/products/1232305>

NBC-R4AC/1,0-93B/R4AC - Patch cable

1408968

<https://www.phoenixcontact.com/gb/products/1408968>



Patch cable, degree of protection: IP20, cable length: 1 m, number of positions: 4, 100 Mbps, CAT5, material: PA 6.6, PROFINET

NBC-R4AC/2,0-93B/R4AC - Patch cable

1408969

<https://www.phoenixcontact.com/gb/products/1408969>



Patch cable, degree of protection: IP20, cable length: 2 m, number of positions: 4, 100 Mbps, CAT5, material: PA 6.6, PROFINET

FL SWITCH TSN 2312-2GC-2SFP - Industrial Ethernet Switch



1232305

<https://www.phoenixcontact.com/gb/products/1232305>

NBC-R4AC/5,0-93B/R4AC - Patch cable

1408970

<https://www.phoenixcontact.com/gb/products/1408970>



Patch cable, degree of protection: IP20, cable length: 5 m, number of positions: 4, 100 Mbps, CAT5, material: PA 6.6, PROFINET

FOC-LC:PA-SC:PA-OM2:D01/1 - FO patch cable

1115607

<https://www.phoenixcontact.com/gb/products/1115607>



Multi-mode OM2 duplex jumper, LC-SC, UPC polishing, length 1 m

FL SWITCH TSN 2312-2GC-2SFP - Industrial Ethernet Switch



1232305

<https://www.phoenixcontact.com/gb/products/1232305>

FOC-LC:PA-SC:PA-OM2:D01/2 - FO patch cable

1115605

<https://www.phoenixcontact.com/gb/products/1115605>

Multi-mode OM2 duplex jumper, LC-SC, UPC polishing, length 2 m



FOC-LC:PA-LC:PA-OM2:D01/1 - FO patch cable

1115633

<https://www.phoenixcontact.com/gb/products/1115633>

Multi-mode OM2 duplex jumper, LC-LC, UPC polishing, length 1 m



FL SWITCH TSN 2312-2GC-2SFP - Industrial Ethernet Switch



1232305

<https://www.phoenixcontact.com/gb/products/1232305>

FOC-LC:PA-LC:PA-OM2:D01/2 - FO patch cable

1115634

<https://www.phoenixcontact.com/gb/products/1115634>

Multi-mode OM2 duplex jumper, LC-LC, UPC polishing, length 2 m



FOC-LC:PA-ST:PA-OM2:D01/1 - Fiber optic cable

1115588

<https://www.phoenixcontact.com/gb/products/1115588>

Multi-mode OM2 duplex jumper, LC-ST, UPC polishing, length 1 m



FL SWITCH TSN 2312-2GC-2SFP - Industrial Ethernet Switch



1232305

<https://www.phoenixcontact.com/gb/products/1232305>

FOC-LC:PA-ST:PA-OM2:D01/2 - Fiber optic cable

1115587

<https://www.phoenixcontact.com/gb/products/1115587>

Multi-mode OM2 duplex jumper, LC-ST, UPC polishing, length 2 m



FOC-LC:PA-SC:PA-OM4:D01/1 - FO patch cable

1115601

<https://www.phoenixcontact.com/gb/products/1115601>

Multi-mode OM4 duplex jumper, LC-SC, UPC polishing, length 1 m



FL SWITCH TSN 2312-2GC-2SFP - Industrial Ethernet Switch



1232305

<https://www.phoenixcontact.com/gb/products/1232305>

FOC-LC:PA-SC:PA-OM4:D01/2 - FO patch cable

1115600

<https://www.phoenixcontact.com/gb/products/1115600>

Multi-mode OM4 duplex jumper, LC-SC, UPC polishing, length 2 m



FOC-LC:PA-LC:PA-OM4:D01/1 - FO patch cable

1115625

<https://www.phoenixcontact.com/gb/products/1115625>

Multi-mode OM4 duplex jumper, LC-LC, UPC polishing, length 1 m



FL SWITCH TSN 2312-2GC-2SFP - Industrial Ethernet Switch



1232305

<https://www.phoenixcontact.com/gb/products/1232305>

FOC-LC:PA-LC:PA-OM4:D01/2 - FO patch cable

1115624

<https://www.phoenixcontact.com/gb/products/1115624>

Multi-mode OM4 duplex jumper, LC-LC, UPC polishing, length 2 m



FOC-LC:PA-LC:PA-OS2:D01/1 - FO patch cable

1115636

<https://www.phoenixcontact.com/gb/products/1115636>

Single-mode OS2 duplex jumper, LC-LC, UPC polishing, length 1 m



FL SWITCH TSN 2312-2GC-2SFP - Industrial Ethernet Switch



1232305

<https://www.phoenixcontact.com/gb/products/1232305>

FOC-LC:PA-LC:PA-OS2:D01/2 - FO patch cable

1115629

<https://www.phoenixcontact.com/gb/products/1115629>

Single-mode OS2 duplex jumper, LC-LC, UPC polishing, length 2 m



FOC-LC:PA-ST:PA-OS2:D01/1 - FO patch cable

1115596

<https://www.phoenixcontact.com/gb/products/1115596>

Single-mode OS2 duplex jumper, LC-ST, UPC polishing, length 1 m



FL SWITCH TSN 2312-2GC-2SFP - Industrial Ethernet Switch



1232305

<https://www.phoenixcontact.com/gb/products/1232305>

FOC-LC:PA-ST:PA-OS2:D01/2 - FO patch cable

1115595

<https://www.phoenixcontact.com/gb/products/1115595>

Single-mode OS2 duplex jumper, LC-ST, UPC polishing, length 2 m



FOC-LC:PA-SC:PA-OS2:D01/1 - FO patch cable

1115618

<https://www.phoenixcontact.com/gb/products/1115618>

Single-mode OS2 duplex jumper, LC-SC, UPC polishing, length 1 m



FL SWITCH TSN 2312-2GC-2SFP - Industrial Ethernet Switch



1232305

<https://www.phoenixcontact.com/gb/products/1232305>

FOC-LC:PA-SC:PA-OS2:D01/2 - FO patch cable

1115617

<https://www.phoenixcontact.com/gb/products/1115617>

Single-mode OS2 duplex jumper, LC-SC, UPC polishing, length 2 m



VS-08-RJ45-5-Q/IP20 - RJ45 connector

1656725

<https://www.phoenixcontact.com/gb/products/1656725>



RJ45 connector, design: RJ45, degree of protection: IP20, number of positions: 8, 1 Gbps, CAT5, material: Plastic, connection method: Insulation displacement connection, connection cross section: AWG 26- 23, cable outlet: straight, color: traffic grey A RAL 7042, Ethernet

Phoenix Contact 2024 © - all rights reserved
<https://www.phoenixcontact.com>

PHOENIX CONTACT Ltd
Halesfield 13, Telford
Shropshire, TF7 4PG
01952 681700
info@phoenixcontact.co.uk