

# CUC-V14-F1ZNI-EM/R40 - Panel mounting frames



1413963

<https://www.phoenixcontact.com/gb/products/1413963>

Please be informed that the data shown in this PDF document is generated from our online catalog. Please find the complete data in the user documentation. Our general terms of use for downloads are valid.



RJ45 panel mounting frame, IP67, for push-pull interlocking, metal, for PCB connection, for square panel cutout, with grommet and mounting screws

## Commercial data

Item number	1413963
Packing unit	1 pc
Minimum order quantity	1 pc
Sales key	ABNODC
Product key	ABNODC
Catalog page	Page 364 (C-2-2017)
GTIN	4055626082202
Weight per piece (including packing)	25.4 g
Weight per piece (excluding packing)	25.4 g
Customs tariff number	85389099
Country of origin	DE

## Technical data

### Notes

General	This product corresponds to the PROFINET Cabling and Interconnection Technology Guideline for PROFINET regulations, version 2.00, order no: 2.252, Chapter 8.2 Connectors for Outside Environment (Balanced cabling) and chapter 13 Application specific Cabling and Interconnection Technology (AIDA)
---------	--

### Product properties

Type	RJ45
Product type	Panel mounting frame
Number of positions	8
Connection profile	RJ45
Type	RJ45

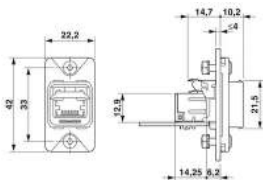
### Insulation characteristics

Degree of pollution	2
---------------------	---

### Electrical properties

Transmission medium	Copper
---------------------	--------

### Dimensions

Dimensional drawing	
Width	22.2 mm
Height	42 mm
Length	25 mm

### Material specifications

Material	Metal
Flammability rating according to UL 94	V0
Seal material	NBR NBR
Housing surface material	nickel-plated
Housing material	Metal

### Environmental and real-life conditions

#### Ambient conditions

Degree of protection	IP65/IP67
----------------------	-----------

# CUC-V14-F1ZNI-EM/R4O - Panel mounting frames



1413963

<https://www.phoenixcontact.com/gb/products/1413963>

Ambient temperature (operation)	-40 °C ... 70 °C
Ambient temperature (storage/transport)	-40 °C ... 70 °C
Ambient temperature (assembly)	-5 °C ... 55 °C

# CUC-V14-F1ZNI-EM/R4O - Panel mounting frames

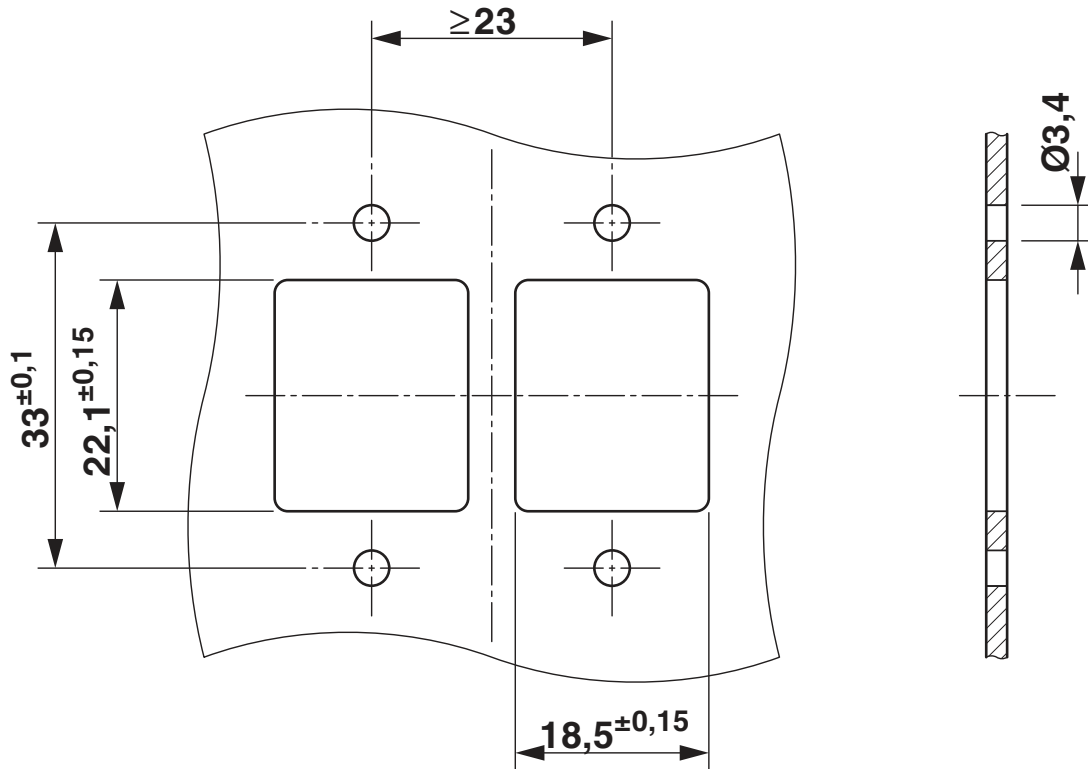
1413963

<https://www.phoenixcontact.com/gb/products/1413963>



## Drawings

Drilling plan/solder pad geometry



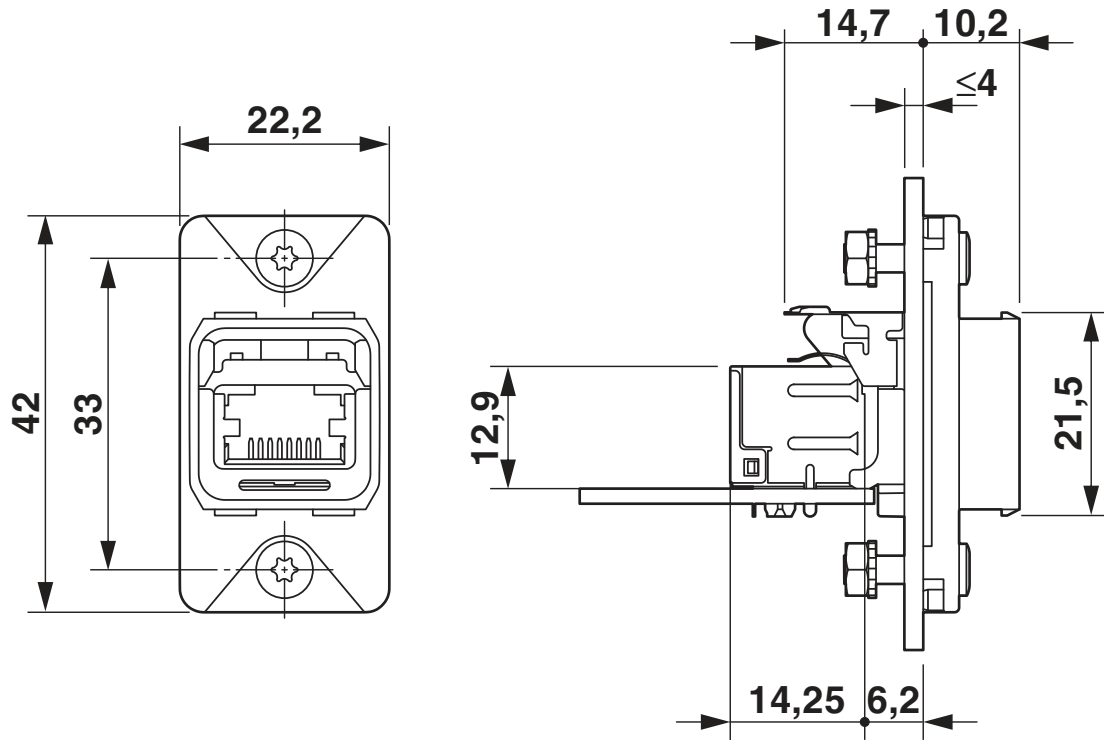
# CUC-V14-F1ZNI-EM/R40 - Panel mounting frames



1413963

<https://www.phoenixcontact.com/gb/products/1413963>

Dimensional drawing



# CUC-V14-F1ZNI-EM/R4O - Panel mounting frames



1413963

<https://www.phoenixcontact.com/gb/products/1413963>

## Classifications

### ECLASS

ECLASS-11.0	27440210
ECLASS-12.0	27440210
ECLASS-13.0	27440210

### ETIM

ETIM 8.0	EC002310
----------	----------

### UNSPSC

UNSPSC 21.0	39121400
-------------	----------

# CUC-V14-F1ZNI-EM/R4O - Panel mounting frames



1413963

<https://www.phoenixcontact.com/gb/products/1413963>

## Environmental product compliance

China RoHS	Environmentally friendly use period: unlimited = EFUP-e
	No hazardous substances above threshold values

# CUC-V14-F1ZNI-EM/R4O - Panel mounting frames

1413963

<https://www.phoenixcontact.com/gb/products/1413963>



## Accessories

### CUC-V14-A-SCREW-M3:20 - Panel mounting frames

1413987

<https://www.phoenixcontact.com/gb/products/1413987>

Screw set, M3 for panel mounting frames



---

### CUC-V14-C1ZNI-S/R4P8 - RJ45 connector

1422664

<https://www.phoenixcontact.com/gb/products/1422664>

RJ45 connector, degree of protection: IP65/IP67, number of positions: 8, 1 Gbps, CAT5, material: Metal, connection method: IDC fast connection, connection cross section: AWG 23- 22, cable outlet: straight, Ethernet





# CUC-V14-F1ZNI-EM/R4O - Panel mounting frames



1413963

<https://www.phoenixcontact.com/gb/products/1413963>

## CUC-V14-C1ZNI-B/R4P8 - RJ45 connector

1422665

<https://www.phoenixcontact.com/gb/products/1422665>



RJ45 connector, degree of protection: IP65/IP67, number of positions: 8, 1 Gbps, CAT5, material: Metal, connection method: IDC fast connection, connection cross section: AWG 23- 22, cable outlet: angled, Ethernet

---

## CUC-V14-C1ZNI-T/R4P8 - RJ45 connector

1422667

<https://www.phoenixcontact.com/gb/products/1422667>



RJ45 connector, degree of protection: IP65/IP67, number of positions: 8, 1 Gbps, CAT5, material: Metal, connection method: IDC fast connection, connection cross section: AWG 23- 22, cable outlet: angled, Ethernet

# CUC-V14-F1ZNI-EM/R40 - Panel mounting frames

1413963

<https://www.phoenixcontact.com/gb/products/1413963>



## CUC-V14-A1PBK-PC - Panel mounting frames

1413970

<https://www.phoenixcontact.com/gb/products/1413970>

Panel mounting frames, degree of protection: IP65/IP67



---

## CUC-V14-A1RBK-PC - Panel mounting frames

1413985

<https://www.phoenixcontact.com/gb/products/1413985>

Panel mounting frames, degree of protection: IP65



# CUC-V14-F1ZNI-EM/R40 - Panel mounting frames

1413963

<https://www.phoenixcontact.com/gb/products/1413963>



## CUC-V14-A1ZNI-R45 - Panel mounting frames

1413988

<https://www.phoenixcontact.com/gb/products/1413988>



45° adapter for panel mounting frames

---

## CUC-V14-A1ZNI-S180 - Panel mounting frames

1413989

<https://www.phoenixcontact.com/gb/products/1413989>



Spacer for panel mounting frames

## CUC-V14-F1ZNI-EM/R40 - Panel mounting frames

1413963

<https://www.phoenixcontact.com/gb/products/1413963>



## CUC-V14-A3ST-SR - Panel mounting frames

1413990

<https://www.phoenixcontact.com/gb/products/1413990>



Panel mounting frames, degree of protection: IP65/IP67, material: Stainless steel

---

## CUC-V14-A1PBK-BA:50 - Panel mounting frames

1413979

<https://www.phoenixcontact.com/gb/products/1413979>



Holder for marking element

# CUC-V14-F1ZNI-EM/R40 - Panel mounting frames



1413963

<https://www.phoenixcontact.com/gb/products/1413963>

## VS-08-BU-RJ45-10G/LH-1 - RJ45 PCB connectors

1420401

<https://www.phoenixcontact.com/gb/products/1420401>



RJ45 PCB connectors, design: RJ45, degree of protection: IP20, number of positions: 8, 10 Gbps, material: Plastic, connection method: THT wave, cable outlet: straight

---

Phoenix Contact 2023 © - all rights reserved

<https://www.phoenixcontact.com>

PHOENIX CONTACT Ltd

Halesfield 13, Telford

Shropshire, TF7 4PG

01952 681700

[info@phoenixcontact.co.uk](mailto:info@phoenixcontact.co.uk)