

CBC-PRC 3-FT25-MS6 400V - Panel feed-through



1437018

<https://www.phoenixcontact.com/gb/products/1437018>

Please be informed that the data shown in this PDF document is generated from our online catalog. Please find the complete data in the user documentation. Our general terms of use for downloads are valid.



Panel feed-through, Range of articles: ArcZero, color: black, number of positions: 3, min. conductor cross section: 1.5 mm², max. conductor cross section: 6 mm², rated voltage: 400 VDC, rated current: 20 A, Connection method: Screw connection, Contact connection type: Pin, Maximum load when disconnecting: 8 kW, scope: DC-Grids

Your advantages

- Safe connection and disconnection under load
- Fast disconnection of flying leads
- Time-saving maintenance or replacement of connected devices
- Robust outdoor design even for extreme conditions
- Particularly durable and economical

Commercial data

Item number	1437018
Packing unit	1 pc
Minimum order quantity	1 pc
Sales key	ABLFAA
Product key	ABLFAA
GTIN	4063151814427
Weight per piece (including packing)	54.5 g
Weight per piece (excluding packing)	22.22 g
Customs tariff number	85366990
Country of origin	DE

CBC-PRC 3-FT25-MS6 400V - Panel feed-through



1437018

<https://www.phoenixcontact.com/gb/products/1437018>

Technical data

Notes

Note on application	Maximum load when disconnecting: 8 kW (6.7 μ F/5 mH)
Note on application	Maximum load when connecting: 2 kW (6.7 μ F/5 mH)
Note on application	Observe the specifications of the packing slip.
Notes on safety	Fit the protective cap when not plugged in.

Product properties

Product type	Installation connector
Product family	ArcZero
Area of application	DC-Grids
Number of positions	3

Data management status

Article revision	02
------------------	----

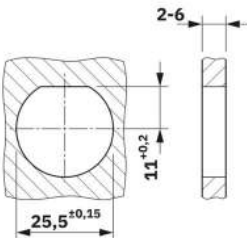
Insulation characteristics

Protection class	II (plastic housing)
------------------	----------------------

Electrical properties

Nominal voltage ATD	400 VDC (III/2.00) in accordance with IEC 61984
	250 VDC Minimum system voltage
	400 VDC (III/2.00) in accordance with IEC 61535
	400 VDC (III/2.00) in accordance with UL 2238 / UL 2237
Rated current	20 A (With 2.5 mm ² conductor cross section in accordance with IEC 61984)

Dimensions

Dimensional drawing	
Width	35 mm
Height	35 mm
Length	54.7 mm

Material specifications

Color	black
-------	-------

Cable/line

CBC-PRC 3-FT25-MS6 400V - Panel feed-through



1437018

<https://www.phoenixcontact.com/gb/products/1437018>

Single wire, cross section	1.5 mm ² 6 mm ²
Stripping length of the individual wire	13 mm (Lay PE conductor 10 mm leading)
Halogen-free	yes

Mechanical properties

Mechanical data

Insertion/withdrawal cycles	500 (under rated load)
-----------------------------	------------------------

Environmental and real-life conditions

Ambient conditions

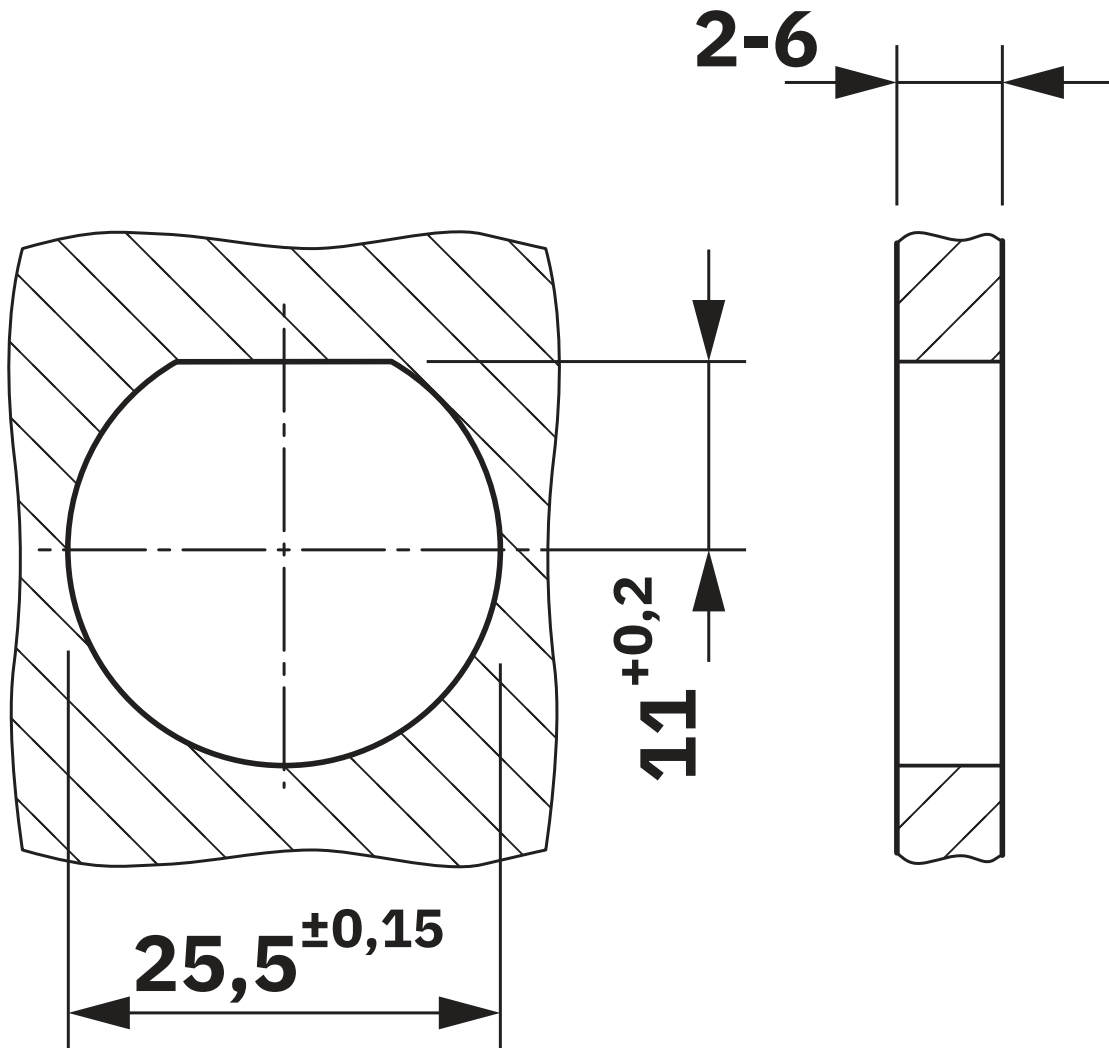
Degree of protection	IP66
	IP68 (2 m / 2 h)
	IP69
Ambient temperature (operation)	-40 °C ... 105 °C
Ambient temperature (storage/transport)	-40 °C ... 105 °C
Ambient temperature (assembly)	-20 °C ... 60 °C

Standards and regulations

Standards/specifications	IEC 61984
	IEC TS 62735-1

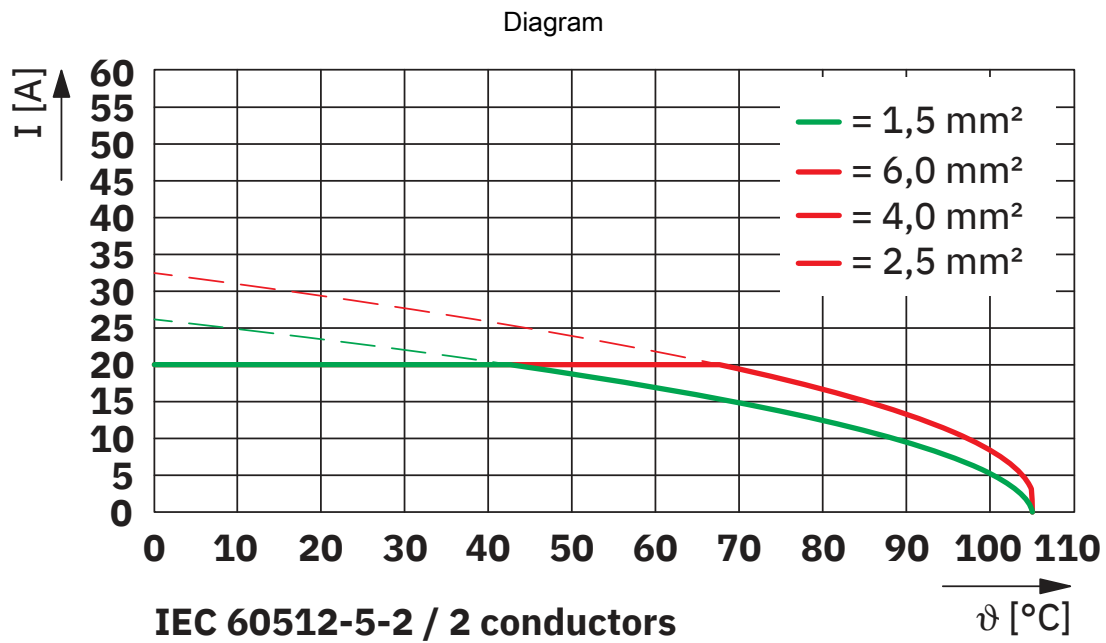
Drawings

Dimensional drawing



1437018

<https://www.phoenixcontact.com/gb/products/1437018>



Derating

CBC-PRC 3-FT25-MS6 400V - Panel feed-through



1437018

<https://www.phoenixcontact.com/gb/products/1437018>

Classifications

ECLASS

ECLASS-12.0	27440116
ECLASS-13.0	27440116

ETIM

ETIM 9.0	EC002635
----------	----------

CBC-PRC 3-FT25-MS6 400V - Panel feed-through



1437018

<https://www.phoenixcontact.com/gb/products/1437018>

Environmental product compliance

EU RoHS

Fulfills EU RoHS substance requirements	Yes, No exemptions
---	--------------------

China RoHS

Environment friendly use period (EFUP)	EFUP-E
	No hazardous substances above the limits

EU REACH SVHC

REACH candidate substance (CAS No.)	No substance above 0.1 wt%
-------------------------------------	----------------------------

Phoenix Contact 2024 © - all rights reserved
<https://www.phoenixcontact.com>

PHOENIX CONTACT Ltd
Halesfield 13, Telford
Shropshire, TF7 4PG
01952 681700
info@phoenixcontact.co.uk