

FL SWITCH 1104-4POE REG - Industrial Ethernet Switch



1473642

<https://www.phoenixcontact.com/gb/products/1473642>

Please be informed that the data shown in this PDF document is generated from our online catalog. Please find the complete data in the user documentation. Our general terms of use for downloads are valid.



Unmanaged Switch 1000 REG, 4 RJ45 ports 10/100/1000 Mbps, REG design in accordance with DIN 43880

Product description

8-port Ethernet switch with four PoE ports according to 802.3at with an output power of up to 30 W for building installation in REG format. With four RJ45 ports both above and below the touch protection cover.

Your advantages

- REG design in accordance with DIN 43880
- POE status LED per port
- Auto negotiation
- Automatic detection of IEEE 802.3at or 802.3af powered devices
- Autocrossing

Commercial data

| | |
|--------------------------------------|---------------|
| Item number | 1473642 |
| Packing unit | 1 pc |
| Minimum order quantity | 1 pc |
| Sales key | DNN412 |
| Product key | DNN412 |
| GTIN | 4063151884864 |
| Weight per piece (including packing) | 287 g |
| Weight per piece (excluding packing) | 208 g |
| Customs tariff number | 85176200 |
| Country of origin | TW |

FL SWITCH 1104-4POE REG - Industrial Ethernet Switch



1473642

<https://www.phoenixcontact.com/gb/products/1473642>

Technical data

Dimensions

| | |
|---------------------|------------------------------------------------------------------------------------|
| Dimensional drawing |  |
| Width | 108 mm |
| Height | 90 mm |
| Depth | 62 mm |

Notes

| | |
|---------|----------------------------------------------|
| General | Support by phone or on-site (fee is charged) |
|---------|----------------------------------------------|

Material specifications

| | |
|------------------|--------------------|
| Housing material | PC (polycarbonate) |
|------------------|--------------------|

Mounting

| | |
|---------------|-------------------|
| Mounting type | DIN rail mounting |
|---------------|-------------------|

Interfaces

Ethernet

| | |
|-------------------------------|-----------------------------------|
| Number of interfaces | 8 |
| Connection method | RJ45 |
| Note on the connection method | Auto negotiation and autocrossing |
| Transmission speed | 10/100/1000 Mbps |
| Transmission physics | Ethernet RJ45 |
| Transmission length | 100 m (per segment) |
| Signal LEDs | LNK/ACT, POE |
| No. of channels | 4 (RJ45 ports) |

Ethernet (PoE)

| | |
|----------------------|----------------------------------------|
| Number of interfaces | 4 |
| Connection method | RJ45 |
| Transmission length | 100 m (Between transmitter / receiver) |
| Signal LEDs | LNK/ACT, POE |
| Number of interfaces | 4 |
| Transmission speed | 10/100/1000 Mbps |
| No. of channels | 4 (RJ45 POE ports) |

Product properties

| | |
|----------------|---------------------------|
| Product type | Switch |
| Product family | Unmanaged Switch 1000 REG |

FL SWITCH 1104-4POE REG - Industrial Ethernet Switch



1473642

<https://www.phoenixcontact.com/gb/products/1473642>

| | |
|--------------------|---------------------------------------------------------------------------|
| Type | Stand-Alone |
| MTTF | 802.8 Years (SN 29500 standard, temperature 25°C, operating cycle 21%) |
| | 351.4 Years (SN 29500 standard, temperature 40°C, operating cycle 34.25%) |
| | 94.1 Years (SN 29500 standard, temperature: 50°C, operating cycle: 100%) |
| Special properties | REG design in accordance with DIN 43880 |
| Signal delay | Store and Forward mode, 10/100 Mbps, depending on the frame size |

Switch functions

| | |
|----------------------------------|--------------------------------------------------------------------------------|
| Basic functions | Unmanaged switch |
| | Autonegotiation |
| | Store and Forward switching mode |
| Status and diagnostic indicators | LEDs: U _S (voltage supply), Link/Activity and PoE per Ethernet port |

Security functions

| | |
|-----------------|----------------------------------|
| Basic functions | Unmanaged switch |
| | Autonegotiation |
| | Store and Forward switching mode |

Electrical properties

| | |
|-------------------------------------------------|-------------------------------------------------|
| Local diagnostics | US Supply voltage Green LED |
| | PoE PoE detection Yellow LED |
| | LNK/ACT Link status/data transmission Green LED |
| Maximum power dissipation for nominal condition | 7.6 W |
| Test voltage | 500 V DC |
| Test section | for one minute 500 V DC |
| Transmission medium | Copper |

Supply

| | |
|--------------------------|---------------------------------------------------------------|
| Supply voltage (DC) | 54 V DC |
| Supply voltage range | 48 V DC ... 55 V DC |
| Max. current consumption | 2.5 A (at U _S = 52 V DC, data transmission 1 Gbps) |

Connection data

| | |
|-----------------------------------|---------------------------------------------|
| Connection method | Spring-cage connection |
| Conductor cross section, rigid | 0.2 mm ² ... 1.5 mm ² |
| Conductor cross section, flexible | 0.5 mm ² ... 1.5 mm ² |

Environmental and real-life conditions

Ambient conditions

| | |
|-----------------------------------------|------------------|
| Degree of protection | IP20 |
| Ambient temperature (operation) | 5 °C ... 50 °C |
| Ambient temperature (storage/transport) | -40 °C ... 70 °C |

FL SWITCH 1104-4POE REG - Industrial Ethernet Switch



1473642

<https://www.phoenixcontact.com/gb/products/1473642>

| | |
|------------------------------------------|---------------------------------------------|
| Altitude | max. 2000 m |
| Permissible humidity (operation) | 10 % ... 95 % (non-condensing) |
| Permissible humidity (storage/transport) | 5 % ... 95 % (non-condensing) |
| Air pressure (operation) | 86 hPa ... 108 kPa (1500 m above sea level) |
| Air pressure (storage/transport) | 66 hPa ... 108 kPa (3500 m above sea level) |

EMC data

| | |
|---------------------------------|-------------|
| Conformance with EMC directives | IEC 62368-1 |
|---------------------------------|-------------|

System properties

Functionality

| | |
|-----------------|----------------------------------|
| Basic functions | Unmanaged switch |
| | Autonegotiation |
| | Store and Forward switching mode |

Signaling

| | |
|----------------|--------------------------------------------------------------------------------|
| Status display | LEDs: U _S (voltage supply), Link/Activity and PoE per Ethernet port |
|----------------|--------------------------------------------------------------------------------|

FL SWITCH 1104-4POE REG - Industrial Ethernet Switch

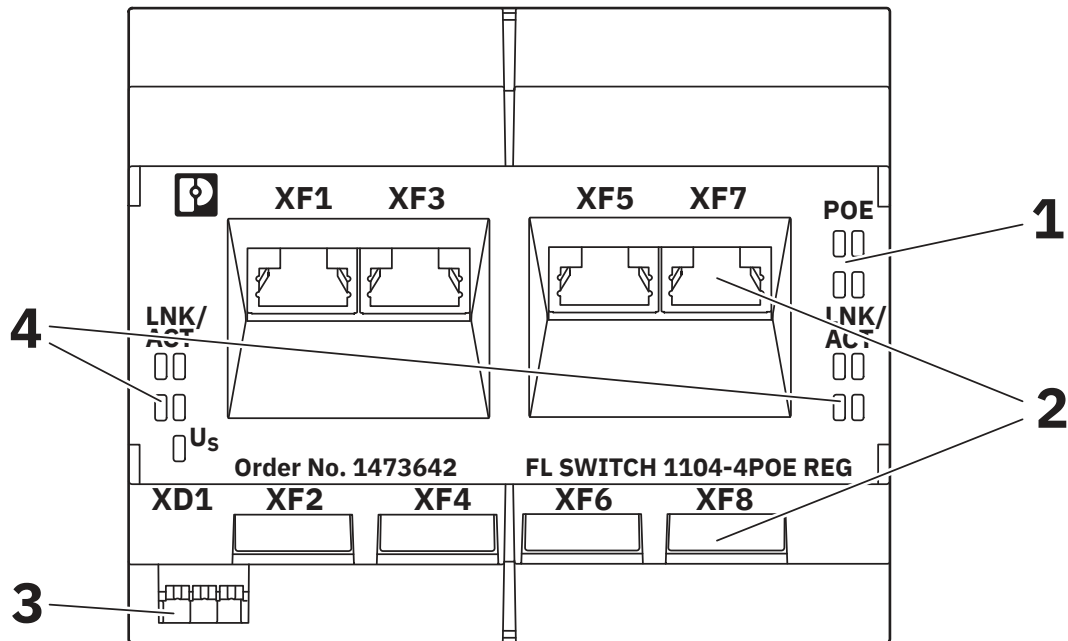


1473642

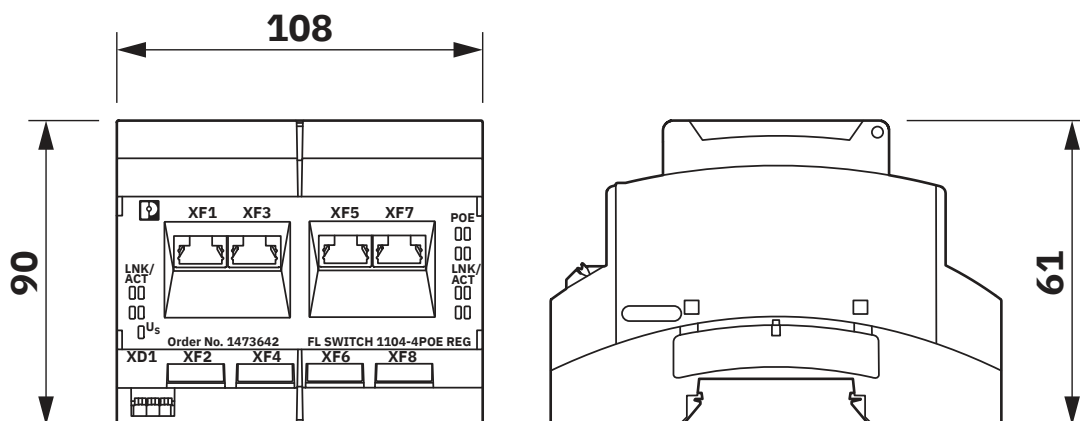
<https://www.phoenixcontact.com/gb/products/1473642>

Drawings

Schematic diagram



Dimensional drawing



FL SWITCH 1104-4POE REG - Industrial Ethernet Switch



1473642

<https://www.phoenixcontact.com/gb/products/1473642>

Classifications

ECLASS

| | |
|-------------|----------|
| ECLASS-11.0 | 19170402 |
| ECLASS-12.0 | 19170402 |
| ECLASS-13.0 | 19170402 |

FL SWITCH 1104-4POE REG - Industrial Ethernet Switch



1473642

<https://www.phoenixcontact.com/gb/products/1473642>

Environmental product compliance

EU RoHS

| | |
|-----------------------------------------|---------------------|
| Fulfills EU RoHS substance requirements | Yes |
| Exemption | 15(a), 7(a), 7(c)-I |

China RoHS

| | |
|----------------------------------------|-----------------------------------------------------------------------------------------------------------------------------------------------------------------------------------------------------------------------------------|
| Environment friendly use period (EFUP) | EFUP-50 |
| | An article-related China RoHS declaration table can be found in the download area for the respective article under "Manufacturer declaration". For all articles with EFUP-E, no China RoHS declaration table issued and required. |

EU REACH SVHC

| | |
|-------------------------------------|----------------------|
| REACH candidate substance (CAS No.) | Lead(CAS: 7439-92-1) |
|-------------------------------------|----------------------|

FL SWITCH 1104-4POE REG - Industrial Ethernet Switch



1473642

<https://www.phoenixcontact.com/gb/products/1473642>

Accessories

STEP3-PS/1AC/48DC/2.5/PT - Power supply unit

1285035

<https://www.phoenixcontact.com/gb/products/1285035>



Primary-switched power supply unit, STEP POWER, Push-in connection, DIN rail or direct mounting, input: 1-phase, output: 48 V DC / 2.5 A, adjustable from 48 V DC ... 56 V DC, PoE application up to 120 W

DT-LAN-CAT.6+ - Surge protection device

2881007

<https://www.phoenixcontact.com/gb/products/2881007>



Surge protection in accordance with Class E_A (CAT6_A), for Gigabit Ethernet (up to 10 Gbps), token ring, FDDI/CDDI, ISDN, and DS1. Suitable for Power over Ethernet (PoE++ / 4PPoE) "Mode A" and "Mode B". RJ45 attachment plug with separate grounding cable and ground connection snap-on foot for NS 35 DIN rails.

FL SWITCH 1104-4POE REG - Industrial Ethernet Switch



1473642

<https://www.phoenixcontact.com/gb/products/1473642>

FL CAT5 PATCH 0,5 - Patch cable

2832263

<https://www.phoenixcontact.com/gb/products/2832263>

Patch cable, CAT5, assembled, 0.5 m



FL CAT5 PATCH 1,0 - Patch cable

2832276

<https://www.phoenixcontact.com/gb/products/2832276>

Patch cable, CAT5, assembled, 1 m



FL SWITCH 1104-4POE REG - Industrial Ethernet Switch



1473642

<https://www.phoenixcontact.com/gb/products/1473642>

FL CAT5 PATCH 2,0 - Patch cable

2832289

<https://www.phoenixcontact.com/gb/products/2832289>



Patch cable, CAT5, assembled, 2 m

NBC-R4AC-R4AC-IE8A/.../... - Patch cable

1411854

<https://www.phoenixcontact.com/gb/products/1411854>



Patch cable, degree of protection: IP20, number of positions: 8, 10 Gbps, CAT6_A, cable outlet: straight, Ethernet

FL SWITCH 1104-4POE REG - Industrial Ethernet Switch



1473642

<https://www.phoenixcontact.com/gb/products/1473642>

NBC-R4AC/10G-R4AC/10G-94F/2,0 - Patch cable

1408360

<https://www.phoenixcontact.com/gb/products/1408360>



Patch cable, CAT6_A, 4-pair, shielded, connection not crossed (line), assembled at both ends with RJ45/IP20 connectors, outer sheath material: PUR, length: 2.0 m

NBC-R4AC/10G-R4AC/10G-94F/3,0 - Patch cable

1408365

<https://www.phoenixcontact.com/gb/products/1408365>



Patch cable, CAT6_A, 4-pair, shielded, connection not crossed (line), assembled at both ends with RJ45/IP20 connectors, outer sheath material: PUR, length: 3.0 m

FL SWITCH 1104-4POE REG - Industrial Ethernet Switch



1473642

<https://www.phoenixcontact.com/gb/products/1473642>

FL RJ45 PROTECT CAP - Dust protection

2832991

<https://www.phoenixcontact.com/gb/products/2832991>



Dust protection caps for RJ45 socket

Phoenix Contact 2024 © - all rights reserved

<https://www.phoenixcontact.com>

PHOENIX CONTACT Ltd
Halesfield 13, Telford
Shropshire, TF7 4PG
01952 681700
info@phoenixcontact.co.uk