

UPS-BAT/PB/24DC/110AH - Battery module



1474660

<https://www.phoenixcontact.com/gb/products/1474660>

Please be informed that the data shown in this PDF document is generated from our online catalog. Please find the complete data in the user documentation. Our general terms of use for downloads are valid.

Battery module, VRLA-AGM, 24 V DC, 110 Ah



Product description

For continuous monitoring and intelligent management, there is constant communication with the QUINT UPS. Thanks to automatic detection of the battery module and tool-free switching during operation, quick installation is possible. The battery modules for QUINT UPS with IQ Technology are fully charged before being sent to our warehouse.

Commercial data

Item number	1474660
Packing unit	1 pc
Minimum order quantity	1 pc
Sales key	CMUEV3
Product key	CMUEV3
GTIN	4063151887711
Weight per piece (including packing)	68,660 g
Weight per piece (excluding packing)	68,000 g
Country of origin	CN

UPS-BAT/PB/24DC/110AH - Battery module



1474660

<https://www.phoenixcontact.com/gb/products/1474660>

Technical data

Notes

General

Note on the battery	This product contains a battery with a limited shelf life that must be charged every few months. The product packaging indicates when the battery must be started up or recharged. The general shelf life can be found in the technical data area under "Latest startup".
---------------------	---

Energy storage

Input

Input voltage	24 V DC (SELV)
Nominal capacity	110 Ah
Charging current	32.4 A
End-of-charge voltage	27.6 V (20 °C)

Output

Output current	max. 45 A
Output fuse	2x 25 A
Buffer time	280 min. (20 A)
	130 min. (40 A)

General

Connection in parallel	yes
	max. 3
Battery type	BB Battery BP MPL110-FR
Battery technology	VRLA-AGM
IQ-Technology	yes
Latest startup date (battery only)	12 Months (0 °C ... 20 °C)
Latest startup (battery only) - range	9 Months ... 12 Months (20 °C ... 30 °C)
	6 Months ... 9 Months (30 °C ... 40 °C)
Accumulator module service life (according to Eurobat)	10 (20 °C)
Size designation	Block
Battery pack	yes
Suitable for fast charging	yes
Temperature sensor	yes

Product properties

Product type	Battery module
Product family	Battery module
Disposal	Used batteries must not be thrown away with household waste, they should instead be disposed of in accordance with applicable national regulations.

UPS-BAT/PB/24DC/110AH - Battery module



1474660

<https://www.phoenixcontact.com/gb/products/1474660>

Data management status

Article revision	00
------------------	----

Insulation characteristics

Protection class	III
Degree of pollution	2

Dimensions

Item dimensions

Width	350 mm
Height	214 mm
Depth	332 mm

Drill hole

Diameter	5 mm
----------	------

Installation dimensions

Installation distance right/left	0 mm / 0 mm
Installation distance top/bottom	50 mm / 50 mm

Mounting

Mounting type	Base mounting
---------------	---------------

Cable/line

Battery connecting cable:

Cable cross section	6 mm ²
Cable length	265 mm
Color	red/black

Battery connecting cable:

Cable cross section	6 mm ²
Cable length	265 mm
Color	red/black

Environmental and real-life conditions

Ambient conditions

Degree of protection	IP20
Ambient temperature (storage/transport)	-20 °C ... 40 °C
Ambient temperature (charge)	0 °C ... 50 °C
Ambient temperature (discharge)	-20 °C ... 50 °C
Max. permissible relative humidity (operation)	≤ 95 %

Ex data

Suited for EX-applications	no
----------------------------	----

UPS-BAT/PB/24DC/110AH - Battery module



1474660

<https://www.phoenixcontact.com/gb/products/1474660>

Drawings

Graphic

Load Current	Buffertime																			
	Minutes										Hours									
	1	2	3	5	10	20	30	40	45	50	1	2	3	5	8	10	15	24	40	60
15 W	Yellow	Yellow	Yellow	Yellow	Yellow	Yellow	Yellow	Yellow	Yellow	Yellow	Yellow	Yellow	Orange	Red	Dark Red	Dark Red	Dark Red	Dark Red	Dark Red	Dark Red
35 W	Yellow	Yellow	Yellow	Yellow	Yellow	Yellow	Yellow	Yellow	Yellow	Yellow	Yellow	Yellow	Orange	Red	Dark Red	Dark Red	Dark Red	Dark Red	Dark Red	Dark Red
55 W	Yellow	Yellow	Yellow	Yellow	Yellow	Yellow	Yellow	Yellow	Yellow	Yellow	Yellow	Yellow	Orange	Red	Dark Red	Dark Red	Dark Red	Dark Red	Dark Red	Dark Red
90 W	Yellow	Yellow	Yellow	Yellow	Yellow	Yellow	Yellow	Yellow	Yellow	Yellow	Yellow	Yellow	Orange	Red	Dark Red	Dark Red	Dark Red	Dark Red	Dark Red	Dark Red
125 W	Yellow	Yellow	Yellow	Yellow	Yellow	Yellow	Yellow	Yellow	Yellow	Yellow	Yellow	Yellow	Orange	Red	Dark Red	Dark Red	Dark Red	Dark Red	Dark Red	Dark Red
180 W	Yellow	Yellow	Yellow	Yellow	Yellow	Yellow	Yellow	Yellow	Yellow	Yellow	Yellow	Yellow	Orange	Red	Dark Red	Dark Red	Dark Red	Dark Red	Dark Red	Dark Red
275 W	Yellow	Yellow	Yellow	Yellow	Yellow	Yellow	Yellow	Yellow	Yellow	Yellow	Yellow	Yellow	Orange	Red	Dark Red	Dark Red	Dark Red	Dark Red	Dark Red	Dark Red
400 W	Yellow	Yellow	Yellow	Yellow	Yellow	Yellow	Yellow	Yellow	Yellow	Yellow	Yellow	Yellow	Orange	Red	Dark Red	Dark Red	Dark Red	Dark Red	Dark Red	Dark Red

The data is based on an ambient temperature of +25 °C at the start of use.

- 1274117 UPS-BAT/PB/24DC/4AH
- 1274118 UPS-BAT/PB/24DC/7AH
- 1274119 UPS-BAT/PB/24DC/12AH
- 1348516 UPS-BAT/PB/24DC/20AH
- 1354641 UPS-BAT/PB/24DC/40AH
- 1474660 UPS-BAT/PB/24DC/110AH

Lead battery buffer times for QUINT AC UPS 500 VA

Graphic

Load Current	Buffertime																							
	Minutes												Hours											
	1	2	3	4	5	8	10	15	20	25	30	40	50	1	1.5	2	3	4	6	9	10	15	20	24
100 W	2x	2x	2x	2x	2x	2x	2x	2x	2x	2x	2x	2x	2x	2x	2x	2x	2x	2x	2x	2x	2x	2x	2x	2x
200 W	2x	2x	2x	2x	2x	2x	2x	2x	2x	2x	2x	2x	2x	2x	2x	2x	2x	2x	2x	2x	2x	2x	2x	2x
300 W	2x	2x	2x	2x	2x	2x	2x	2x	2x	2x	2x	2x	2x	2x	2x	2x	2x	2x	2x	2x	2x	2x	2x	2x
400 W	2x	2x	2x	2x	2x	2x	2x	2x	2x	2x	2x	2x	2x	2x	2x	2x	2x	2x	2x	2x	2x	2x	2x	2x
500 W	2x	2x	2x	2x	2x	2x	2x	2x	2x	2x	2x	2x	2x	2x	2x	2x	2x	2x	2x	2x	2x	2x	2x	2x
600 W	2x	2x	2x	2x	2x	2x	2x	2x	2x	2x	2x	2x	2x	2x	2x	2x	2x	2x	2x	2x	2x	2x	2x	2x
700 W	2x	2x	2x	2x	2x	2x	2x	2x	2x	2x	2x	2x	2x	2x	2x	2x	2x	2x	2x	2x	2x	2x	2x	2x
800 W	2x	2x	2x	2x	2x	2x	2x	2x	2x	2x	2x	2x	2x	2x	2x	2x	2x	2x	2x	2x	2x	2x	2x	2x
900 W	2x	2x	2x	2x	2x	2x	2x	2x	2x	2x	2x	2x	2x	2x	2x	2x	2x	2x	2x	2x	2x	2x	2x	2x

2x: There are always two battery modules of the same capacity are required . The data is based on an ambient temperature of +25 °C at the start of use.

- 1274117 UPS-BAT/PB/24DC/4AH
- 1274118 UPS-BAT/PB/24DC/7AH
- 1274119 UPS-BAT/PB/24DC/12AH
- 1348516 UPS-BAT/PB/24DC/20AH
- 1354641 UPS-BAT/PB/24DC/40AH
- 1474660 UPS-BAT/PB/24DC/110AH

Buffer times for QUINT AC UPS 1 kVA

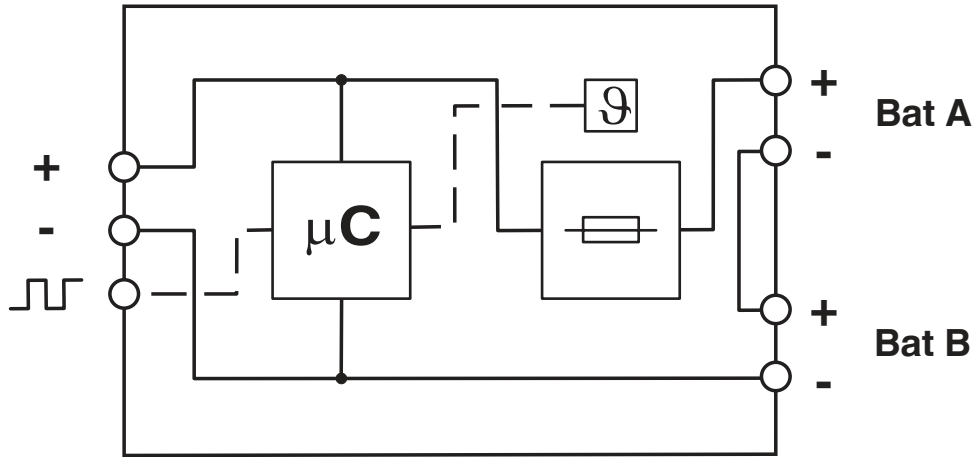
UPS-BAT/PB/24DC/110AH - Battery module



1474660

<https://www.phoenixcontact.com/gb/products/1474660>

Block diagram



Block diagram

Graphic

Load Current	Buffertime																																			
	Minutes										Hours																									
	1	2	3	4	5	6	7	8	9	10	20	30	40	45	50	1	2	3	4	5	6	7	8	9	10	12	14	16	18	20	50	100				
1 A																							2x													
2 A																							2x													
3 A																							2x		2x		2x									
5 A																							2x		2x		2x		2x							
7 A																							2x		2x		2x		2x							
10 A																							2x		2x		2x		2x							
15 A																							2x		2x		2x									
20 A																							2x		2x											
25 A																							2x													
30 A																							2x													
35 A																							2x		2x		2x									
40 A																							2x		2x		2x									

2x: In this case, two battery modules of the same capacity are required. The data is based on an ambient temperature of +25 °C at the start of use.

- 1274520 UPS-BAT/PB/24DC/1.2AH
- 1274117 UPS-BAT/PB/24DC/4AH
- 1274118 UPS-BAT/PB/24DC/7AH
- 1274119 UPS-BAT/PB/24DC/12AH
- 1348516 UPS-BAT/PB/24DC/20AH
- 1354641 UPS-BAT/PB/24DC/40AH
- 1474660 UPS-BAT/PB/24DC/110AH

Lead battery buffer times for QUINT DC UPS

UPS-BAT/PB/24DC/110AH - Battery module



1474660

<https://www.phoenixcontact.com/gb/products/1474660>

Approvals

To download certificates, visit the product detail page: <https://www.phoenixcontact.com/gb/products/1474660>



cULus Listed

Approval ID: E123528-20220210



IECEE CB Scheme

Approval ID: DK-124876-M1-UL



cULus Listed

Approval ID: E199827-20220302

UPS-BAT/PB/24DC/110AH - Battery module



1474660

<https://www.phoenixcontact.com/gb/products/1474660>

Classifications

ECLASS

ECLASS-11.0	27050403
ECLASS-13.0	27050403

ETIM

ETIM 9.0	EC000357
----------	----------

UPS-BAT/PB/24DC/110AH - Battery module



1474660

<https://www.phoenixcontact.com/gb/products/1474660>

Environmental product compliance

EU RoHS

Fulfills EU RoHS substance requirements	Yes
Exemption	7(a), 7(c)-I

China RoHS

Environment friendly use period (EFUP)	EFUP-10
	An article-related China RoHS declaration table can be found in the download area for the respective article under "Manufacturer declaration". For all articles with EFUP-E, no China RoHS declaration table issued and required.

EU REACH SVHC

REACH candidate substance (CAS No.)	Lead(CAS: 7439-92-1)
-------------------------------------	----------------------

UPS-BAT/PB/24DC/110AH - Battery module



1474660

<https://www.phoenixcontact.com/gb/products/1474660>

Accessories

FUSE 25A/32V ATOF - Fuse

2908366

<https://www.phoenixcontact.com/gb/products/2908366>

Fuse, nominal current: 25 A, length: 19.1 mm, width: 5 mm, height: 18.8 mm



Phoenix Contact 2024 © - all rights reserved
<https://www.phoenixcontact.com>

PHOENIX CONTACT Ltd
Halesfield 13, Telford
Shropshire, TF7 4PG
01952 681700
info@phoenixcontact.co.uk