

FL COMSERVER UNI 232/422/485 - Interface converters



2313452

<https://www.phoenixcontact.com/gb/products/2313452>

Please be informed that the data shown in this PDF document is generated from our online catalog. Please find the complete data in the user documentation. Our general terms of use for downloads are valid.



Second generation FL COMSERVER UNI..., serial device server for converting a serial 232/422/485 interface to Ethernet, supports TCP, UDP, Modbus gateway, and PPP applications, incl. COM port redirector software and user documentation

Product description

The FL COMSERVER...232/422/485 products are used to integrate serial V.24 (RS-232)/RS-422/RS-485 interfaces into existing Ethernet networks. This provides an easy way of implementing functions such as cable replacement, network integration or a Modbus gateway.

Your advantages

- Modbus gateway between Modbus/RTU / ASCII and Modbus/TCP
- All connections can be plugged in using a COMBICON screw terminal block
- Configuration via web-based management
- Software for virtual COM ports supplied as standard

Commercial data

Item number	2313452
Packing unit	1 pc
Minimum order quantity	1 pc
Sales key	DNC321
Product key	DNC321
Catalog page	Page 357 (C-6-2019)
GTIN	4046356451321
Weight per piece (including packing)	176.4 g
Weight per piece (excluding packing)	176.4 g
Customs tariff number	85176200
Country of origin	DE

FL COMSERVER UNI 232/422/485 - Interface converters



2313452

<https://www.phoenixcontact.com/gb/products/2313452>

Technical data

Notes

Utilization restriction

EMC note	EMC: class A product, see manufacturer's declaration in the download area
----------	---

Utilization restriction

CCCex note	Use in potentially explosive areas is not permitted in China.
------------	---

Product properties

Product type	Interface converter
Application	TCP, UDP, Modbus gateway, PPP
MTTF	2013 Years (SN 29500 standard, temperature 25°C, operating cycle 21%)
	879 Years (SN 29500 standard, temperature 40°C, operating cycle 34.25%)
	359 Years (SN 29500 standard, temperature 40°C, operating cycle 100%)
MTBF	666 Years (Telcordia standard, 25°C temperature, 21% operating cycle (5 days a week, 8 hours a day))
	179 Years (Telcordia standard, 40°C temperature, 34.25% operating cycle (5 days a week, 12 hours a day))

System properties

System requirements

Supported browsers	Netscape Communicator versions 4.5 and up or Internet Explorer versions 5.5 and up
--------------------	--

Electrical properties

Electrical isolation	VCC // Ethernet // Serial
Maximum power dissipation for nominal condition	2.4 W
Test voltage data interface/data interface	1.5 kV _{rms} (50 Hz, 1 min.)
Test voltage data interface/power supply	1.5 kV _{rms} (50 Hz, 1 min.)

Supply

Supply voltage range	19.2 V AC/DC ... 28.8 V AC/DC (via pluggable COMBICON screw terminal block)
	22.8 V DC ... 25.2 V DC (as an alternative or redundant, via backplane bus contact and system current supply)
Typical current consumption	100 mA (24 V DC)

Function

Management	Web-based management, SNMP, emergency exit with Telnet and serial
Status and diagnostic indicators	LEDs: UL (logic voltage), TD + RD (data activity serial), FD (full duplex), 100 (100 Mbps mode), Link (Ethernet), Activity

FL COMSERVER UNI 232/422/485 - Interface converters



2313452

<https://www.phoenixcontact.com/gb/products/2313452>

	(Ethernet), ERR (error)
--	-------------------------

Connection data

Supply

Tightening torque	0.56 Nm ... 0.79 Nm
-------------------	---------------------

Interfaces

Signal	Ethernet
	Modbus
Web server	yes

Data: Ethernet interface, 10/100Base-T(X) in accordance with IEEE 802.3

Serial transmission speed	10/100 Mbps, auto negotiation
Connection method	RJ45 jack, shielded
No. of channels	1
Transmission length	≤ 100 m (shielded twisted pair)
Protocols supported	TCP/IP, UDP, Modbus (TCP, RTU/ASCII), PPP
Auxiliary protocols	ARP, DHCP, BOOTP, SNMP, RIP, RARP, HTTP, TFTP, ICMP
Data flow control/protocols	Modbus/TCP

Data: V.24 (RS-232) interface in acc. with ITU-T V.28, EIA/TIA-232, DIN 66259-1

Serial transmission speed	0.3; 0.6; 1.2; 2.4; 4.8; 7.2; 9.6; 19.2; 38.4; 57.6; 115.2; 187.5; 230.4 kbps
Connection method	D-SUB 9 plug
Pin assignment	DTE/DCE switchover via web-based management
Transmission length	15 m
File format/coding	UART/NRZ: 7/8 Bit Data, 1/2 Bit Stopp, None/Even/Odd Parity
Data flow control/protocols	Software handshake, Xon/Xoff, or hardware handshake RTS/CTS // 3964 R compatible, Modbus RTU/ASCII

Data: RS-422 interface in acc. with ITU-T V.11, EIA/TIA-422, DIN 66348-1

Serial transmission speed	0.3; 0.6; 1.2; 2.4; 4.8; 7.2; 9.6; 19.2; 38.4; 57.6; 115.2; 187.5; 230.4; 500; 1000 kbps
Connection method	Plug-in/screw connection via COMBICON
Transmission length	≤ 1200 m
Termination resistor	390 Ω (configurable) 180 Ω 390 Ω
File format/coding	UART/NRZ: 7/8 Bit Data, 1/2 Bit Stopp, None/Even/Odd Parity
Data flow control/protocols	Automatic control

Data: RS-485 interface, in acc. with EIA/TIA-485, DIN 66259-4/RS-485 2-wire

Serial transmission speed	0.3; 0.6; 1.2; 2.4; 4.8; 7.2; 9.6; 19.2; 38.4; 57.6; 115.2; 187.5; 230.4; 500; 1000 kbps
Connection method	Plug-in/screw connection via COMBICON
Termination resistor	390 Ω 180 Ω

FL COMSERVER UNI 232/422/485 - Interface converters



2313452

<https://www.phoenixcontact.com/gb/products/2313452>

	390 Ω (configurable)
File format/coding	UART/NRZ: 7/8 Bit Data, 1/2 Bit Stopp, None/Even/Odd Parity
Data flow control/protocols	Automatic control

Dimensions

Width	22.5 mm
Height	99 mm
Depth	116 mm

Material specifications

Material	PA 6.6-FR
----------	-----------

Environmental and real-life conditions

Ambient conditions

Degree of protection	IP20
Ambient temperature (operation)	-25 °C ... 60 °C -20 °C ... 60 °C (in acc. with UL)
Ambient temperature (storage/transport)	-25 °C ... 70 °C
Altitude	≤ 5000 m (For restrictions, see the manufacturer's declaration for altitude operation)
Permissible humidity (operation)	10 % ... 95 % (non-condensing)
Permissible humidity (storage/transport)	5 % ... 95 % (non-condensing)

Approvals

CE

Certificate	CE-compliant
-------------	--------------

EAC

Identification	EAC
----------------	-----

ATEX

Identification	⊕ II 3G Ex nA IIC T4 Gc X
Note	Please follow the special installation instructions in the documentation!

UL, USA/Canada

Identification	508 Listed Class I, Div. 2, Groups A, B, C, D
----------------	--

UL, USA

Identification	Class I, Zone 2, AEx nA IIC T5
----------------	--------------------------------

UL, Canada

Identification	Class I, Zone 2, Ex nA IIC T5 Gc X
----------------	------------------------------------

KC approval for South Korea

Certificate	MSIP-REI-PCK-2313452
-------------	----------------------

FL COMSERVER UNI 232/422/485 - Interface converters



2313452

<https://www.phoenixcontact.com/gb/products/2313452>

Corrosive gas test

Identification	ISA-S71.04-1985 G3 Harsh Group A
----------------	----------------------------------

EMC data

Noise immunity	EN 61000-6-2:2005
Electromagnetic compatibility	Conformance with EMC Directive 2014/30/EU
Noise emission	EN 61000-6-4

Electrostatic discharge

Standards/regulations	EN 61000-4-2
-----------------------	--------------

Electrostatic discharge

Contact discharge	± 6 kV
Discharge in air	± 8 kV
Comments	Criterion B

Electromagnetic HF field

Standards/regulations	EN 61000-4-3
-----------------------	--------------

Electromagnetic HF field

Field intensity	10 V/m
Comments	Criterion A

Fast transients (burst)

Standards/regulations	EN 61000-4-4
-----------------------	--------------

Fast transients (burst)

Input	2 kV (5 kHz)
Signal	1 kV (5 kHz)
Comments	Criterion A

Surge current load (surge)

Standards/regulations	EN 61000-4-5
-----------------------	--------------

Surge current load (surge)

Input	2 kV
Signal	1 kV
Comments	Criterion B

Conducted interference

Standards/regulations	EN 61000-4-6
-----------------------	--------------

Conducted interference

Comments	Criterion A
Voltage	10 V

Emitted interference

Standards/regulations	EN 55032
-----------------------	----------

FL COMSERVER UNI 232/422/485 - Interface converters



2313452

<https://www.phoenixcontact.com/gb/products/2313452>

Criteria

Criterion A	Normal operating behavior within the specified limits.
Criterion B	Temporary impairment to operational behavior that is corrected by the device itself.

Standards and regulations

Free from substances that could impair the application of coating	in accordance with VW-AUDI-Seat central standard P-VW 3.10.7 57 65 0
Standards/regulations	EN 50121-4

Mounting

Mounting type	DIN rail mounting
---------------	-------------------

FL COMSERVER UNI 232/422/485 - Interface converters

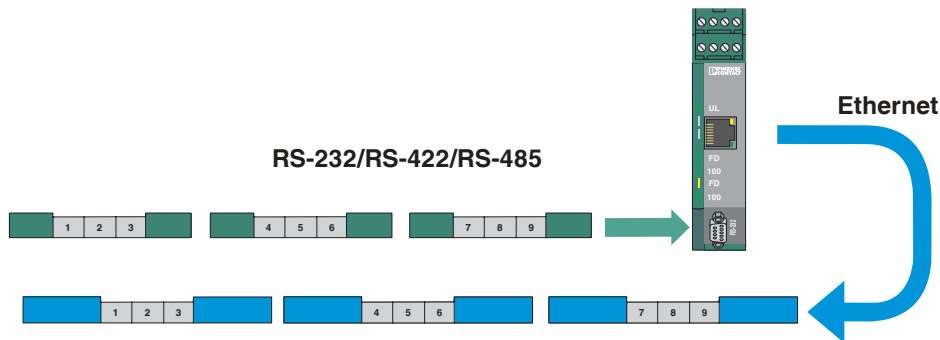


2313452

<https://www.phoenixcontact.com/gb/products/2313452>

Drawings

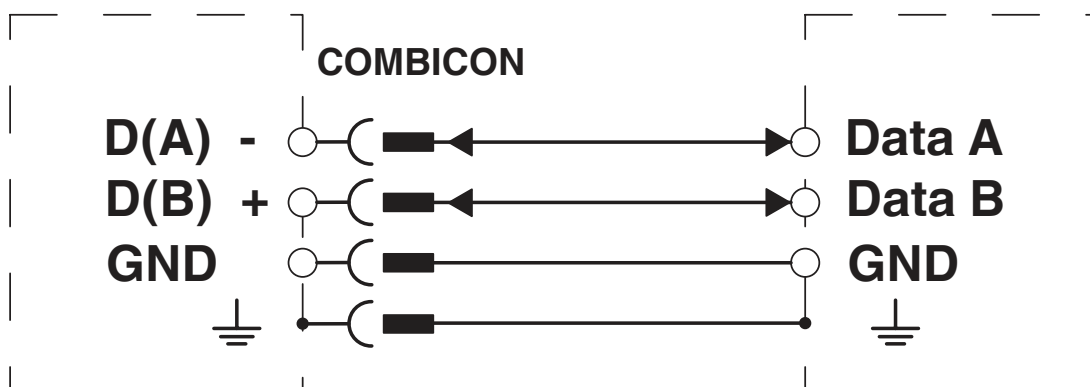
Application drawing



Small value: "Idle Force Timeout Characters"

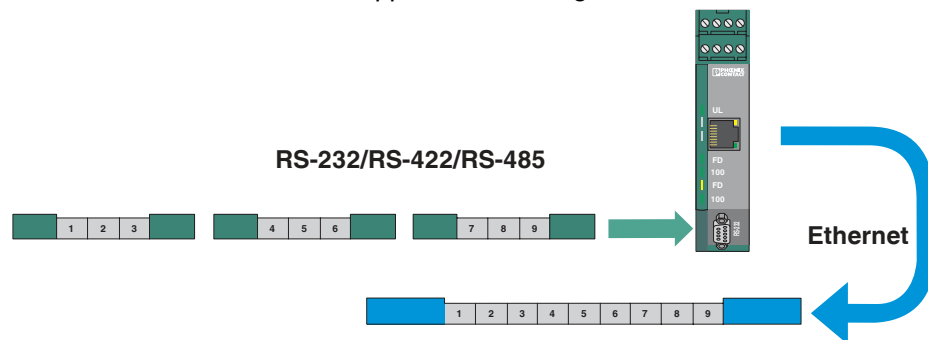
Connection diagram

FL COMSERVER RS-485



RS-485 connection

Application drawing



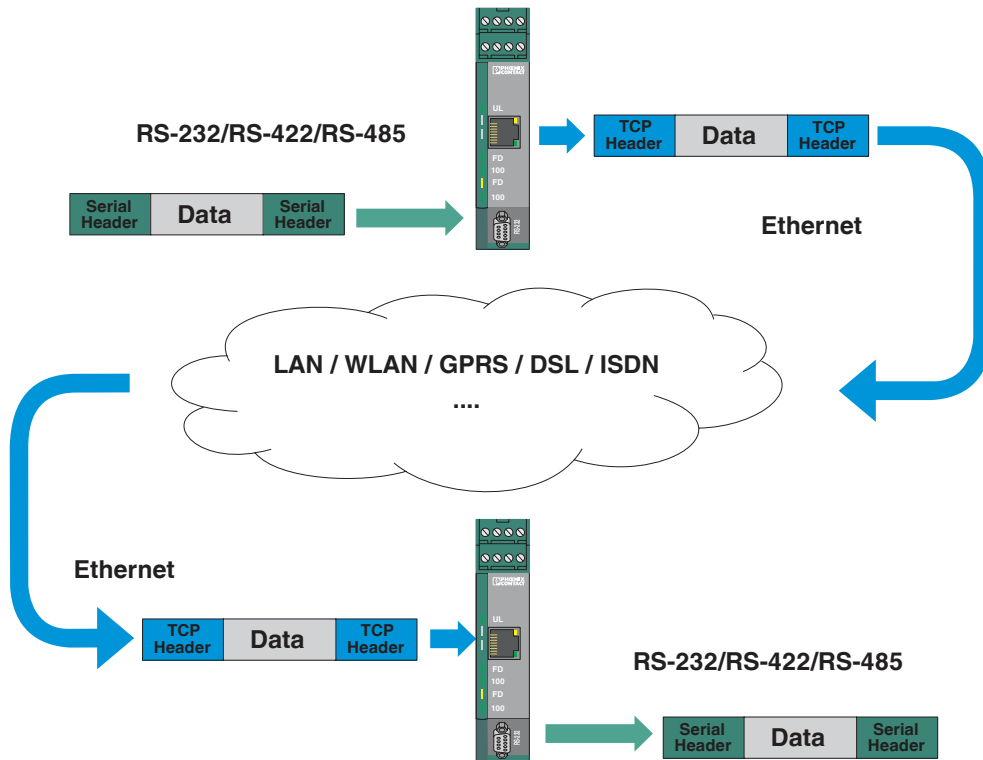
Large value: "Idle Force Timeout Characters"

FL COMSERVER UNI 232/422/485 - Interface converters

2313452

<https://www.phoenixcontact.com/gb/products/2313452>

Application drawing



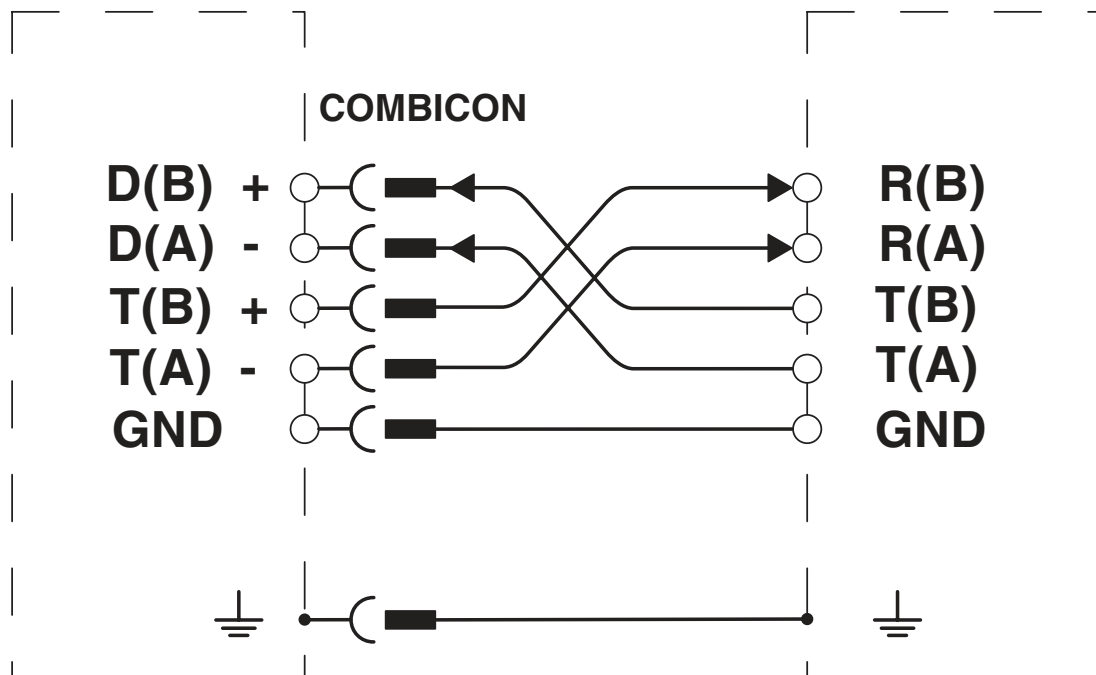
Serial data transmission via Ethernet

2313452

<https://www.phoenixcontact.com/gb/products/2313452>

Connection diagram

FL COMSERVER RS-422



RS-422 connection

FL COMSERVER UNI 232/422/485 - Interface converters



2313452

<https://www.phoenixcontact.com/gb/products/2313452>

Approvals

To download certificates, visit the product detail page: <https://www.phoenixcontact.com/gb/products/2313452>



EAC

Approval ID: RU D-DE.GB09.B.00312



UL Listed

Approval ID: FILE E 238705



cUL Listed

Approval ID: FILE E 238705



KC

Approval ID: MSIP-REI-PCK-2313452



ATEX

Approval ID: PxCIF11ATEX2313478X



cUL Listed

Approval ID: FILE E 199827



UL Listed

Approval ID: FILE E 199827

cULus Listed

cULus Listed

FL COMSERVER UNI 232/422/485 - Interface converters



2313452

<https://www.phoenixcontact.com/gb/products/2313452>

Classifications

ECLASS

ECLASS-11.0	19179090
ECLASS-12.0	19179090
ECLASS-13.0	19179090

ETIM

ETIM 8.0	EC000310
----------	----------

UNSPSC

UNSPSC 21.0	43222600
-------------	----------

FL COMSERVER UNI 232/422/485 - Interface converters



2313452

<https://www.phoenixcontact.com/gb/products/2313452>

Environmental product compliance

REACH SVHC	Lead 7439-92-1
China RoHS	Environmentally Friendly Use Period = 50 years
	For information on hazardous substances, refer to the manufacturer's declaration available under "Downloads"

FL COMSERVER UNI 232/422/485 - Interface converters



2313452

<https://www.phoenixcontact.com/gb/products/2313452>

Accessories

PSM-KA9SUB9/BB/2METER - Data cable

2799474

<https://www.phoenixcontact.com/gb/products/2799474>

RS-232 cable, 9-pos. D-SUB socket on 9-pos. D-SUB socket, 9-wire, 1:1



QUINT4-SYS-PS/1AC/24DC/2.5/SC - Power supply unit

2904614

<https://www.phoenixcontact.com/gb/products/2904614>

Primary-switched power supply, QUINT POWER, screw connection, DIN rail mounting, supply of devices possible via the TBUS DIN rail connector, protective coating, input: single-phase, output: 24 V DC/2.5 A



FL COMSERVER UNI 232/422/485 - Interface converters



2313452

<https://www.phoenixcontact.com/gb/products/2313452>

ME 22,5 TBUS 1,5/ 5-ST-3,81 GN - DIN rail bus connectors

2707437

<https://www.phoenixcontact.com/gb/products/2707437>



DIN rail connector, color: green, nominal current: 8 A (parallel contacts), rated voltage (III/2): 125 V, number of positions: 5, pitch: 3.81 mm, mounting: DIN rail mounting, locking: without, mounting: without, type of packaging: packed in cardboard, Item with gold-plated contacts, bus connectors for connecting with electronics housings, 5 parallel contacts

FL CAT5 HEAVY - Data cable

2744814

<https://www.phoenixcontact.com/gb/products/2744814>



CAT5-SF/UTP cable (J-02YS(ST)C HP 2 x 2 x 24 AWG), heavy-duty installation cable, 2 x 2 x 0.22 mm², solid conductor, shielded, outer sheath: 7.8 mm diameter, inner sheath: 5.75 mm ± 0.15 mm diameter

FL COMSERVER UNI 232/422/485 - Interface converters

2313452

<https://www.phoenixcontact.com/gb/products/2313452>

FL CAT5 FLEX - Installation cable

2744830

<https://www.phoenixcontact.com/gb/products/2744830>



By the meter, Installation cable, Ethernet CAT5 (100 Mbps), shielded, PUR halogen-free, water blue RAL 5021, 4-wire (2x2xAWG26/7, SF/UTP), color single wire: white/orange-orange, white/green-green, cable length: Free entry (1.0 ... 1000.0 m)

VS-08-RJ45-5-Q/IP20 - RJ45 connector

1656725

<https://www.phoenixcontact.com/gb/products/1656725>



RJ45 connector, design: RJ45, degree of protection: IP20, number of positions: 8, 1 Gbps, CAT5, material: Plastic, connection method: Insulation displacement connection, connection cross section: AWG 26- 23, cable outlet: straight, color: traffic grey A RAL 7042, Ethernet

FL COMSERVER UNI 232/422/485 - Interface converters



2313452

<https://www.phoenixcontact.com/gb/products/2313452>

FL SWITCH 1005N - Industrial Ethernet Switch

1085039

<https://www.phoenixcontact.com/gb/products/1085039>



Narrow Ethernet switch, five RJ45 ports with 10/100 Mbps on all ports, automatic data transmission speed detection, autocrossing function, and QoS

FL MC EF 1300 MM SC - FO converters

2902853

<https://www.phoenixcontact.com/gb/products/2902853>



FO converter with SC duplex fiber optic connection (1300 nm), for converting 10/100Base-T(X) to multi-mode fiberglass (50/125 μm). Auto negotiation and auto MDI(X) function. Comprehensive link diagnostics. DIN-rail mountable, 18 ... 30 V DC supply.

FL COMSERVER UNI 232/422/485 - Interface converters



2313452

<https://www.phoenixcontact.com/gb/products/2313452>

FL ISOLATOR 100-RJ/RJ - Network isolator

2313931

<https://www.phoenixcontact.com/gb/products/2313931>



Passive network isolator for electrical isolation in Ethernet networks. This protects Ethernet devices from potential differences of up to 4 kV. Can be used for transmission speeds of up to 100 Mbps. Possible to connect two RJ45 plugs.

PP-RJ-SCC - Patch panels

2703018

<https://www.phoenixcontact.com/gb/products/2703018>



Patch panel, RJ45 jack on Push-in terminal blocks, 10/100/1000 Mbps, DIN rail adapter, IP20, shield contacting with strain relief

FL COMSERVER UNI 232/422/485 - Interface converters



2313452

<https://www.phoenixcontact.com/gb/products/2313452>

TC EXTENDER 2001 ETH-2S - Ethernet extenders

2702409

<https://www.phoenixcontact.com/gb/products/2702409>



Second generation: Unmanaged Ethernet extender for point-to-point connections, line and ring structures, data rates up to 30 Mbps, distances of up to 20 km on in-house copper cables, diagnostics via USB and LEDs, 2 SHDSL ports, 1 LAN port

PSI-MODEM-SHDSL/SERIAL - Modem

2313669

<https://www.phoenixcontact.com/gb/products/2313669>



Industrial SHDSL extender for serial RS-232/422/485 interfaces, point-to-point and line structures, serial data transmission up to 2000 kbps on in-house cables, diagnostics via USB and LEDs, two configurable alarm outputs

FL COMSERVER UNI 232/422/485 - Interface converters

2313452

<https://www.phoenixcontact.com/gb/products/2313452>

FL CAT5 PATCH 0,5 - Patch cable

2832263

<https://www.phoenixcontact.com/gb/products/2832263>

Patch cable, CAT5, assembled, 0.5 m



FL CAT5 PATCH 5,0 - Patch cable

2832580

<https://www.phoenixcontact.com/gb/products/2832580>

Patch cable, CAT5, assembled, 5 m



FL COMSERVER UNI 232/422/485 - Interface converters



2313452

<https://www.phoenixcontact.com/gb/products/2313452>

SZF 1-0,6X3,5 - Screwdriver

1204517

<https://www.phoenixcontact.com/gb/products/1204517>



Actuation tool, for ST terminal blocks, also suitable for use as a bladed screwdriver, size: 0.6 x 3.5 x 100 mm, 2-component grip, with non-slip grip

FL PATCH SAFE CLIP - Port Guard Security Element

2891246

<https://www.phoenixcontact.com/gb/products/2891246>



Security element for FL patch cable

FL COMSERVER UNI 232/422/485 - Interface converters



2313452

<https://www.phoenixcontact.com/gb/products/2313452>

SUBCON 9/F-SH - D-SUB bus connector

2761499

<https://www.phoenixcontact.com/gb/products/2761499>



D-SUB plug, 9-pos. female connector, one 35° cable entry, universal type for all systems, pin assignment: 1, 2, 3, 4, 5, 6, 7, 8, 9 to screw connection terminal block

CM-KBL-RS232/USB - Cable

2881078

<https://www.phoenixcontact.com/gb/products/2881078>

Connecting cable D-9-SUB to USB, with adapter D-9-SUB to D-25-SUB.



FL COMSERVER UNI 232/422/485 - Interface converters



2313452

<https://www.phoenixcontact.com/gb/products/2313452>

ME-SAS - Shield connection clamp

2853899

<https://www.phoenixcontact.com/gb/products/2853899>

Shield connection clamp for terminal points starting from 2.5 mm²



DT-LAN-CAT.6+ - Surge protection device

2881007

<https://www.phoenixcontact.com/gb/products/2881007>



Surge protection in accordance with Class E_A (CAT6_A), for Gigabit Ethernet (up to 10 Gbps), token ring, FDDI/CDDI, ISDN, and DS1. Suitable for Power over Ethernet (PoE++ / 4PPoE) "Mode A" and "Mode B". RJ45 attachment plug with separate grounding cable and ground connection snap-on foot for NS 35 DIN rails.

Phoenix Contact 2023 © - all rights reserved
<https://www.phoenixcontact.com>

PHOENIX CONTACT Ltd
Halesfield 13, Telford
Shropshire, TF7 4PG
01952 681700
info@phoenixcontact.co.uk