

FB-HSB - Converter

2316379

<https://www.phoenixcontact.com/gb/products/2316379>



Please be informed that the data shown in this PDF document is generated from our online catalog. Please find the complete data in the user documentation. Our general terms of use for downloads are valid.

Head station for monitoring one PROFIBUS network



Product description

PROFIBUS head station

Your advantages

- Powerful, embedded web server for configuration and access to network diagnostics
- One communication interface module can drive up to ten individual PROFIBUS DP or PROFIBUS PA modules
- Manage and configure PROFIBUS field devices using FDT/DTM

Commercial data

Item number	2316379
Packing unit	1 pc
Minimum order quantity	1 pc
Sales key	DNC135
Product key	DNC135
GTIN	4055626071145
Weight per piece (including packing)	177.1 g
Weight per piece (excluding packing)	161 g

Technical data

Product properties

Product type	Device coupler
--------------	----------------

Electrical properties

Supply

Supply voltage range	10.8 V DC ... 26.4 V DC
Max. current consumption	800 mA

Connection data

Supply

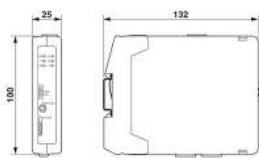
Conductor cross section, flexible	0.20 mm ² ... 2.50 mm ²
Conductor cross section, rigid	0.20 mm ² ... 2.50 mm ²
Conductor cross section AWG	24 ... 12

Interfaces

Data: Ethernet

Connection method	RJ45
No. of channels	1
Conductor cross section flexible max.	2.5 mm ²
Conductor cross section flexible min.	0.2 mm ²
Conductor cross section, rigid max.	2.5 mm ²
Conductor cross section, rigid min.	0.2 mm ²
Conductor cross section AWG max.	12
Conductor cross section AWG min.	24

Dimensions

Dimensional drawing	
Width	25 mm
Height	100 mm
Depth	132 mm

Material specifications

Color	green
-------	-------

Environmental and real-life conditions

Ambient conditions

Degree of protection	IP20
Ambient temperature (operation)	-20 °C ... 60 °C
Ambient temperature (storage/transport)	-20 °C ... 60 °C
Permissible humidity (operation)	5 % ... 95 % (non-condensing)
Permissible humidity (storage/transport)	5 % ... 95 % (non-condensing)

Approvals

Conformity/Approvals

UL, USA / Canada	UL 508 Listed
UL, Canada	CSA C22.2 No. 142

Standards and regulations

Standards/regulations

Standards/regulations	Ring wave noise immunity in acc. with IEC 61000-4-12
-----------------------	--

Standards/regulations

Standards/regulations	Dry heat in acc. with IEC 61131-2
-----------------------	-----------------------------------

Standards/regulations

Standards/regulations	Damp heat in acc. with IEC 61131-2
-----------------------	------------------------------------

Standards/regulations

Standards/regulations	Shock and vibration in acc. with EN 61131-2 and EN 50178
-----------------------	--

PROFIBUS standardization

Standards/regulations	IEC 61158-2
-----------------------	-------------

FB-HSB - Converter

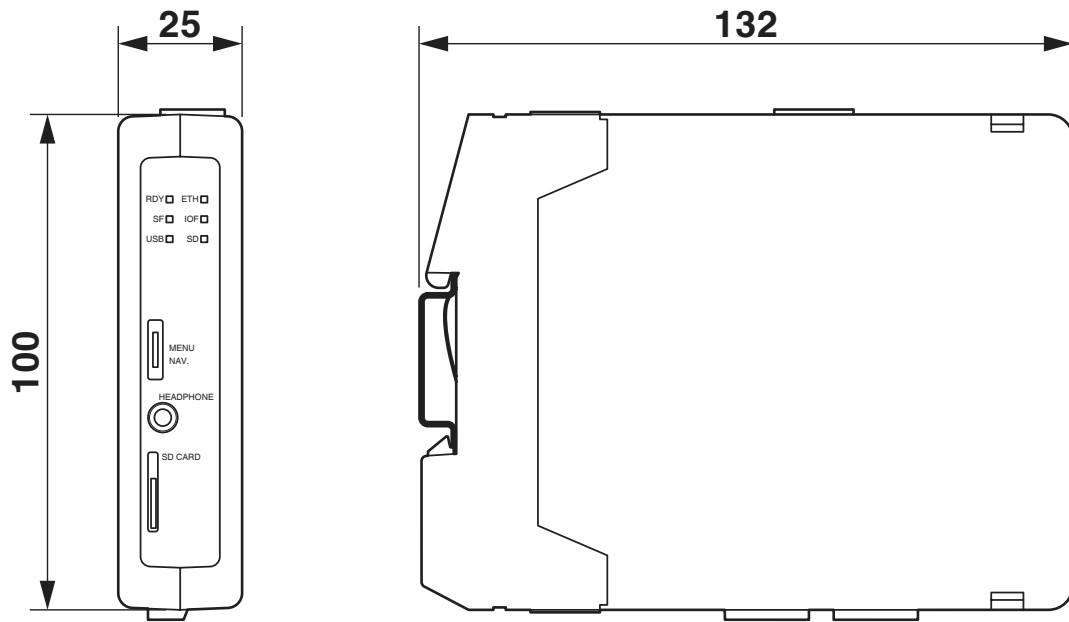
2316379

<https://www.phoenixcontact.com/gb/products/2316379>



Drawings

Dimensional drawing



FB-HSB - Converter



2316379

<https://www.phoenixcontact.com/gb/products/2316379>

Approvals

To download certificates, visit the product detail page: <https://www.phoenixcontact.com/gb/products/2316379>



UL Listed

Approval ID: FILE E 238705



cUL Listed

Approval ID: FILE E 238705

cULus Listed

FB-HSB - Converter

2316379

<https://www.phoenixcontact.com/gb/products/2316379>



Classifications

ECLASS

ECLASS-11.0	27242610
ECLASS-12.0	27242610
ECLASS-13.0	27242610

ETIM

ETIM 8.0	EC001600
----------	----------

UNSPSC

UNSPSC 21.0	32151600
-------------	----------

FB-HSB - Converter

2316379

<https://www.phoenixcontact.com/gb/products/2316379>



Environmental product compliance

China RoHS	Environmentally Friendly Use Period = 50 years For information on hazardous substances, refer to the manufacturer's declaration available under "Downloads"
------------	--

FB-HSB - Converter

2316379

<https://www.phoenixcontact.com/gb/products/2316379>



Accessories

FB-DP-RPTR - Repeater

2316373

<https://www.phoenixcontact.com/gb/products/2316373>



PROFIBUS DP interface/repeater module

FB-PA/SC - Repeater

2316375

<https://www.phoenixcontact.com/gb/products/2316375>



PROFIBUS PA interface module with oscilloscope

FB-HSB - Converter

2316379

<https://www.phoenixcontact.com/gb/products/2316379>



FB-DP-RPTR/SC - Repeater

2316374

<https://www.phoenixcontact.com/gb/products/2316374>

PROFIBUS DP interface/repeater module with oscilloscope functionality



Phoenix Contact 2023 © - all rights reserved

<https://www.phoenixcontact.com>

PHOENIX CONTACT Ltd

Halesfield 13, Telford

Shropshire, TF7 4PG

01952 681700

info@phoenixcontact.co.uk