

RAD-ISM-2400-ANT-OMNI-2-1-RSMA - Antenna



2701362

<https://www.phoenixcontact.com/gb/products/2701362>

Please be informed that the data shown in this PDF document is generated from our online catalog. Please find the complete data in the user documentation. Our general terms of use for downloads are valid.



Omnidirectional antenna for wall mounting, frequency band: 2.4 GHz, gain: 2 dBi, degree of protection: IP65, connection: RSMA (male), incl. 1.5 m connecting cable, mounting bracket, and mounting material

Your advantages

- Ideally suited for freely mobile or stationary 2.4 GHz applications
- Including 1.5 m connecting cable

Commercial data

Item number	2701362
Packing unit	1 pc
Minimum order quantity	1 pc
Sales key	DNN2Z1
Product key	DNN2Z1
Catalog page	Page 388 (C-6-2019)
GTIN	4046356743471
Weight per piece (including packing)	91 g
Weight per piece (excluding packing)	70 g
Customs tariff number	85177100
Country of origin	TW

2701362

<https://www.phoenixcontact.com/gb/products/2701362>

Technical data

Product properties

Product type	Antenna
Radiation characteristics	Omnidirectional
Gain	2 dBi
Vertical beamwidth	75 °
Horizontal beamwidth	360 °
Polarization	Linear vertical

Electrical properties

Frequency band	2.4 GHz
Frequency range	2.4 GHz ... 2.5 GHz
Impedance	50 Ω
Maximum capacity	1.00 W

Connection data

Connection technology

Connection method	RSMA (male)
-------------------	-------------

Dimensions

Height	82.5 mm
Diameter	7.8 mm

Material specifications

Material	Polyurethane
	Polycarbonate PC
	V2A
Outer sheath, material	Fluorinated ethylene propylene (FEP)
Material	Polyurethane (Radom)
	Polycarbonate PC (Antenna foot)
	V2A (Bracket)

Cable/line

Cable length	1.50 m
Connecting cable	yes
External cable diameter	2.50 mm
Outer sheath, material	Fluorinated ethylene propylene (FEP)
Smallest bending radius, fixed installation	25.4 mm

Environmental and real-life conditions

Ambient conditions

Degree of protection	IP65
----------------------	------

RAD-ISM-2400-ANT-OMNI-2-1-RSMA - Antenna



2701362

<https://www.phoenixcontact.com/gb/products/2701362>

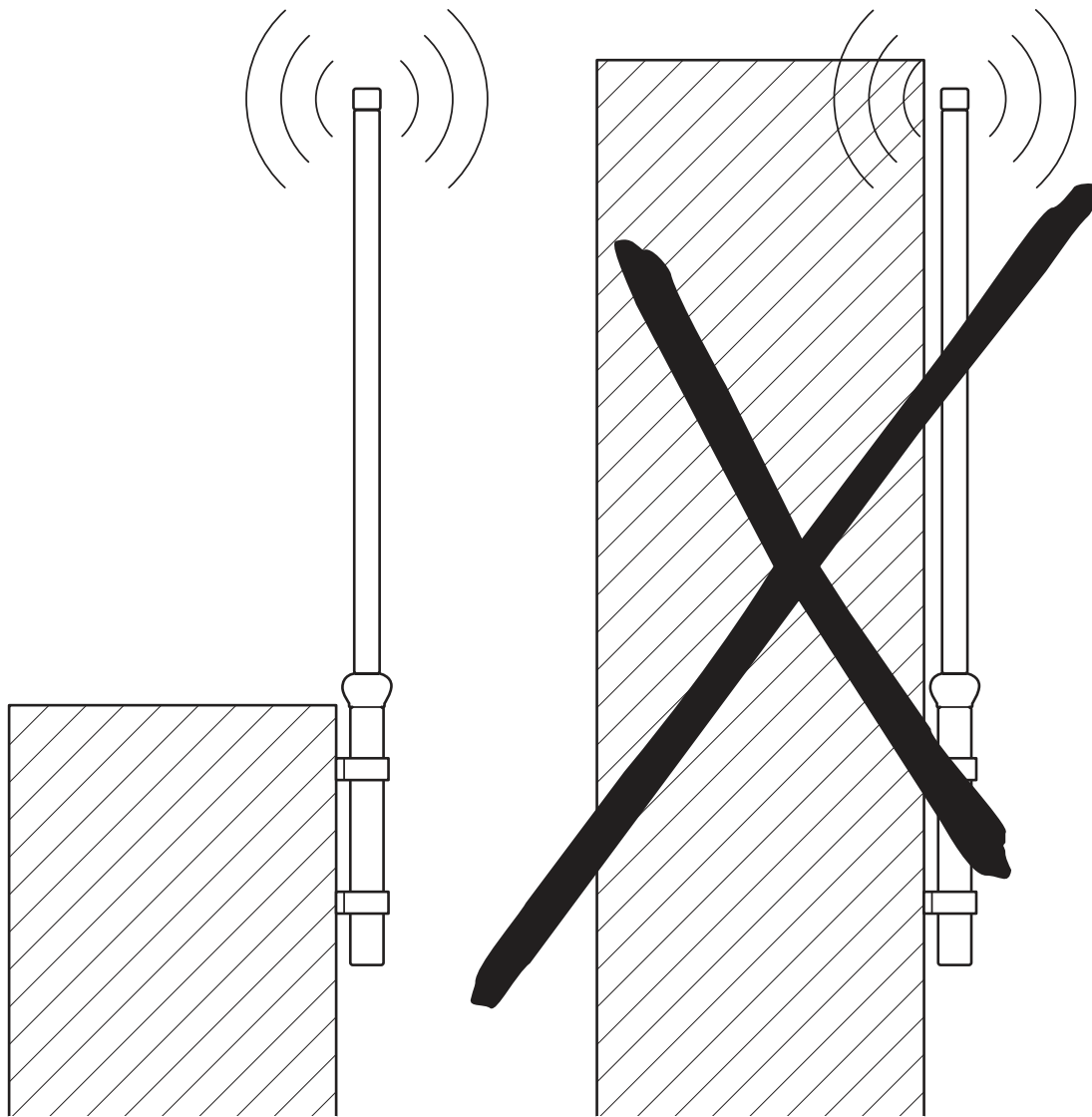
Ambient temperature (operation)	-20 °C ... 65 °C
Ambient temperature (storage/transport)	-30 °C ... 75 °C

Mounting

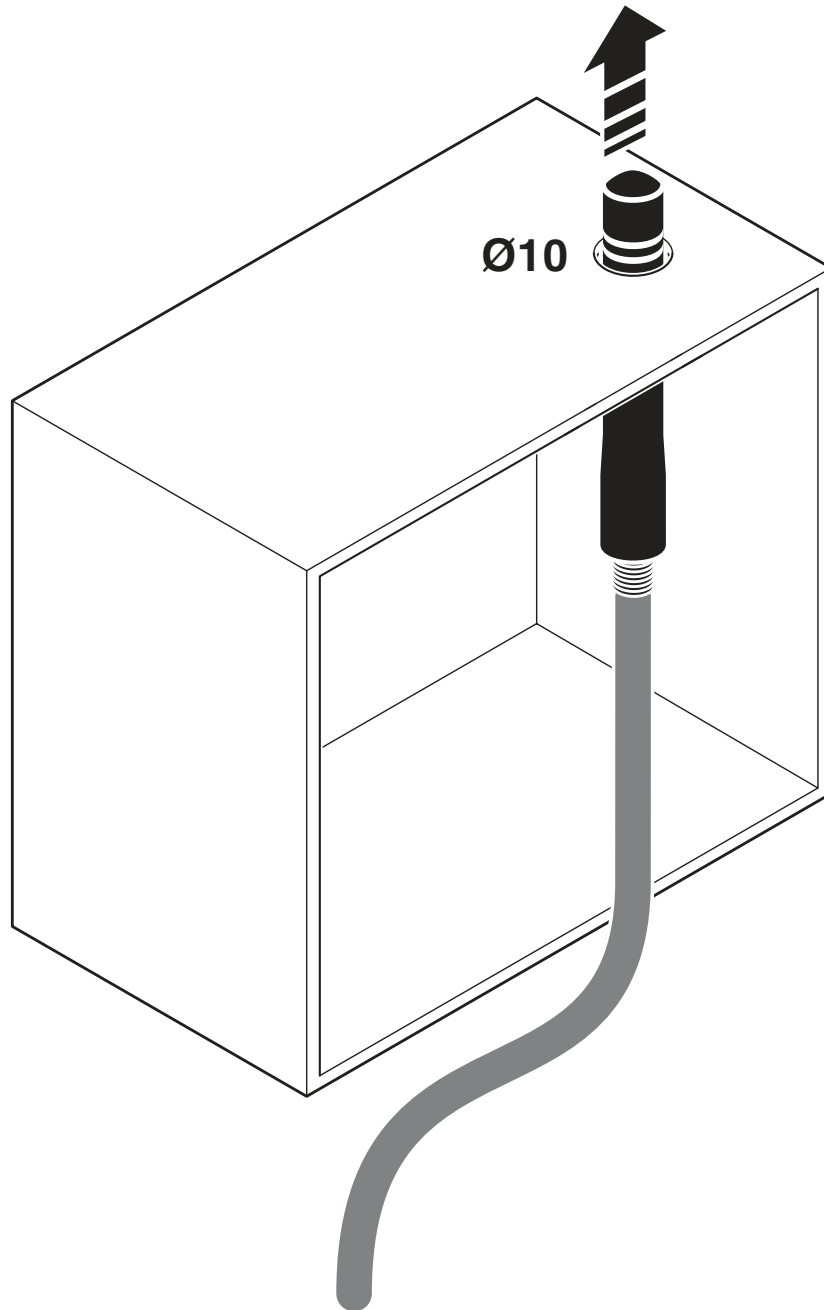
Mounting type	Wall mounting
Assembly instructions	Outdoors and indoors
Connection method	RSMA (male)

Drawings

Schematic diagram



Schematic diagram



Control cabinet feed-through

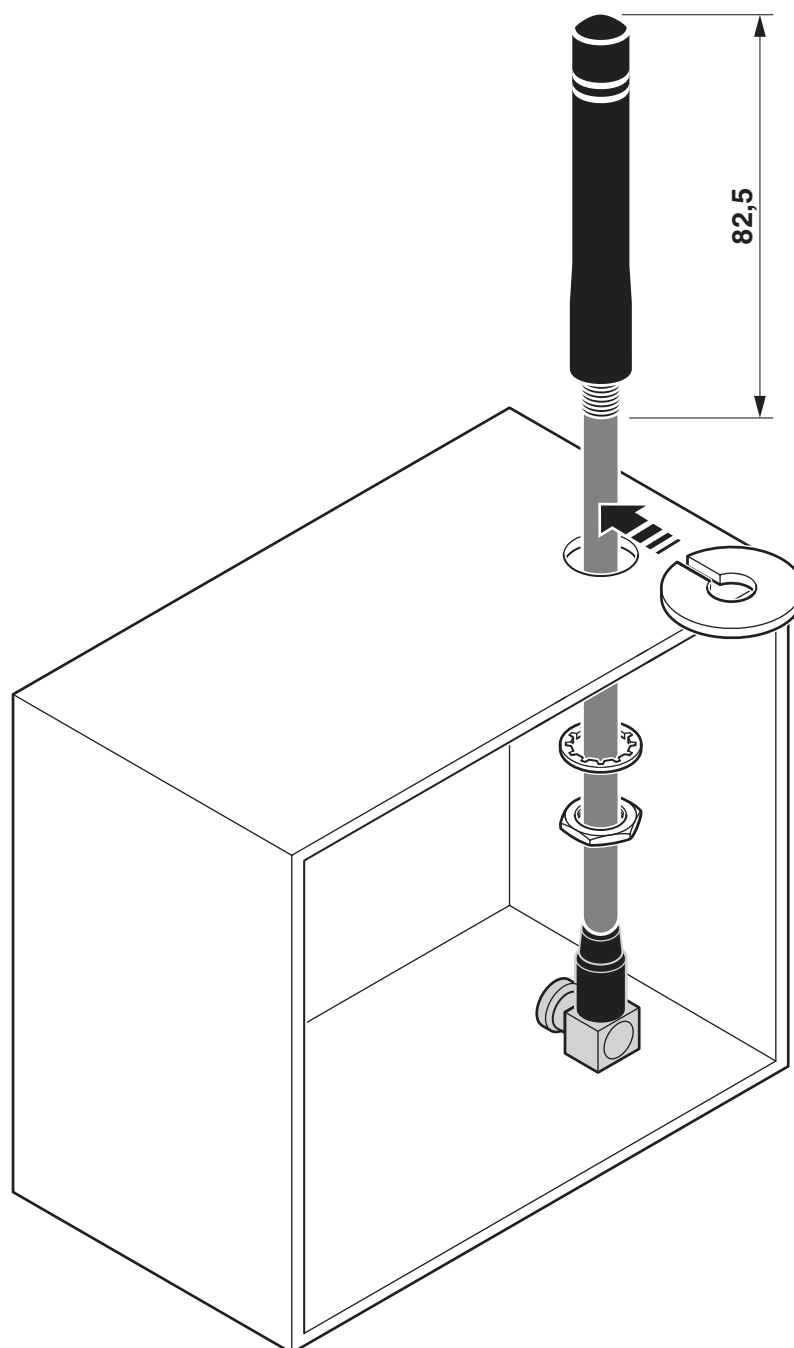
RAD-ISM-2400-ANT-OMNI-2-1-RSMA - Antenna

2701362

<https://www.phoenixcontact.com/gb/products/2701362>



Schematic diagram



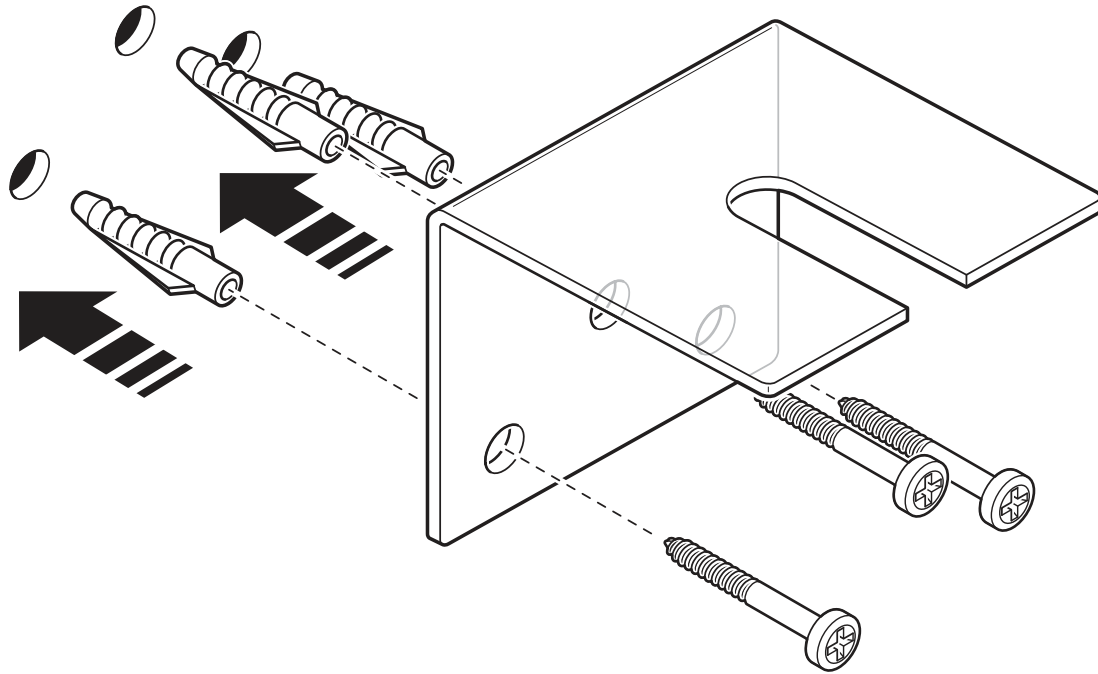
Mounting on the control cabinet

RAD-ISM-2400-ANT-OMNI-2-1-RSMA - Antenna

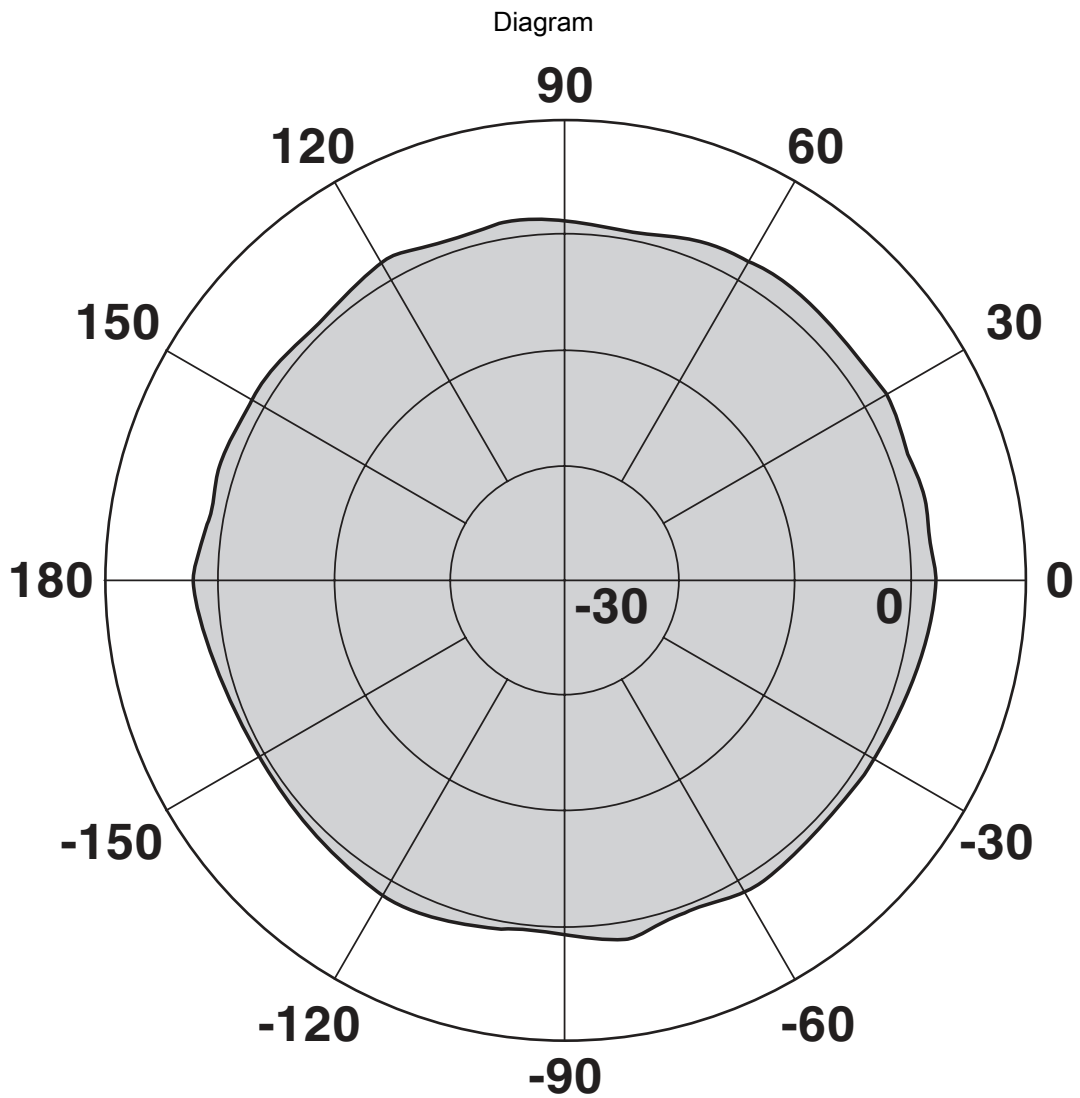
2701362

<https://www.phoenixcontact.com/gb/products/2701362>

Schematic diagram



Wall mounting



Horizontal

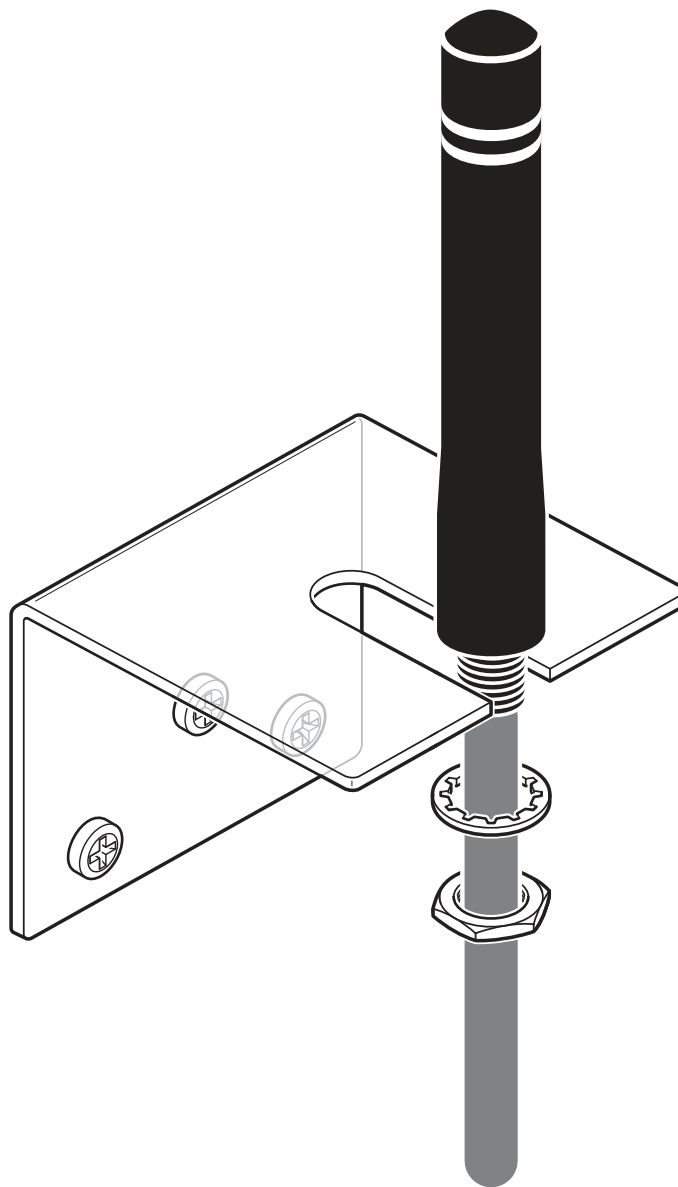
RAD-ISM-2400-ANT-OMNI-2-1-RSMA - Antenna

2701362

<https://www.phoenixcontact.com/gb/products/2701362>

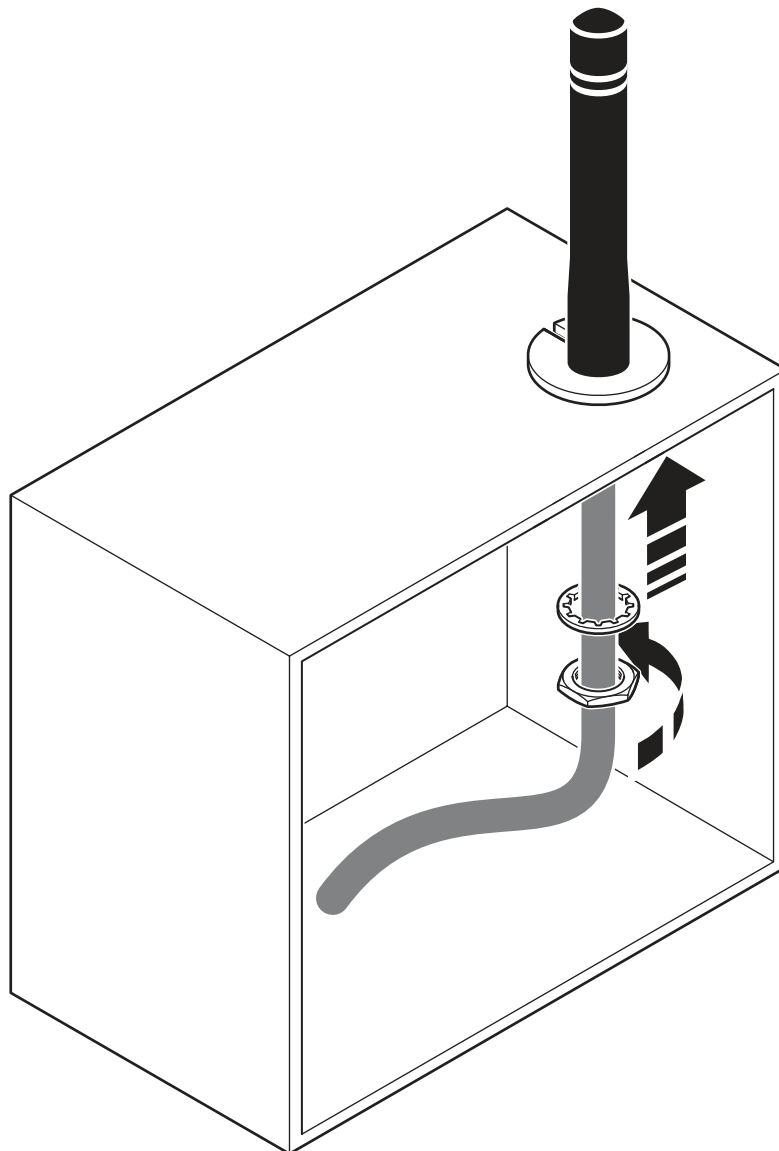


Schematic diagram



Wall mounting

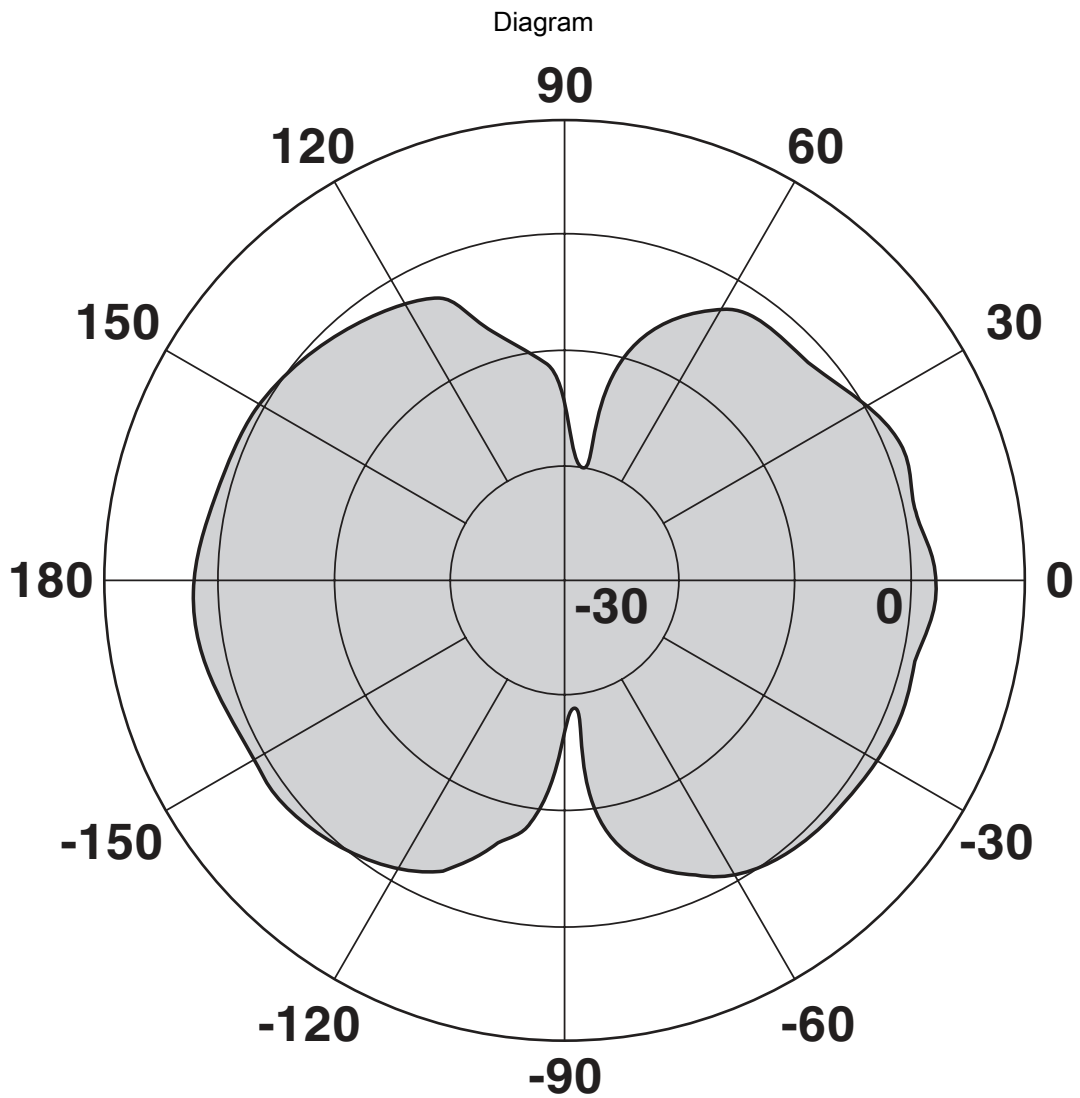
Schematic diagram



Mounting on the control cabinet

2701362

<https://www.phoenixcontact.com/gb/products/2701362>



Vertical

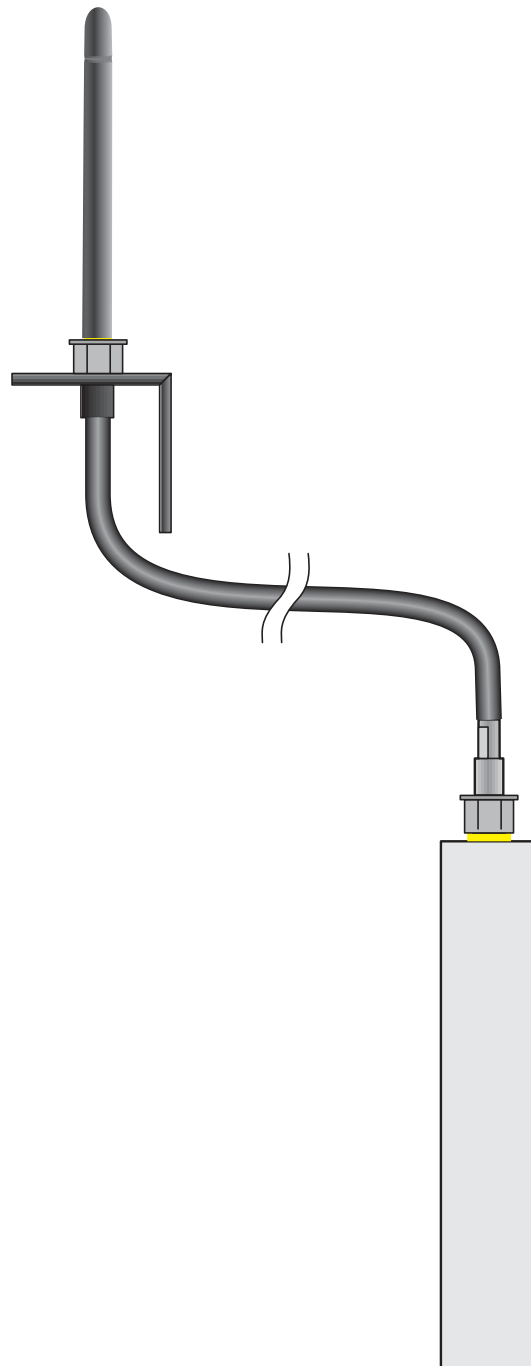
RAD-ISM-2400-ANT-OMNI-2-1-RSMA - Antenna

2701362

<https://www.phoenixcontact.com/gb/products/2701362>



Schematic diagram



Installation example

2701362

<https://www.phoenixcontact.com/gb/products/2701362>

Classifications

ECLASS

ECLASS-11.0	19070105
ECLASS-12.0	19070105
ECLASS-13.0	19070105

ETIM

ETIM 8.0	EC001698
----------	----------

UNSPSC

UNSPSC 21.0	43223100
-------------	----------

RAD-ISM-2400-ANT-OMNI-2-1-RSMA - Antenna



2701362

<https://www.phoenixcontact.com/gb/products/2701362>

Environmental product compliance

REACH SVHC	Lead 7439-92-1
China RoHS	Environmentally Friendly Use Period = 25; For information on hazardous substances, refer to the manufacturer's declaration available under "Downloads"

Phoenix Contact 2023 © - all rights reserved

<https://www.phoenixcontact.com>

PHOENIX CONTACT Ltd
Halesfield 13, Telford
Shropshire, TF7 4PG
01952 681700
info@phoenixcontact.co.uk