

ANT-OMNI-868-01 - Antenna

2702136

<https://www.phoenixcontact.com/gb/products/2702136>

Please be informed that the data shown in this PDF document is generated from our online catalog. Please find the complete data in the user documentation. Our general terms of use for downloads are valid.



Omnidirectional antenna for wall or mast mounting, 868 MHz, gain: 4 dBi, degree of protection: IP67, seawater-resistant, connection: N (female), incl. mounting bracket and mast clamps, ATEX and IECEx approval

Your advantages

- Ideally suited for stationary 868 MHz applications
- For use in potentially explosive areas
- Resistant to salt water

Commercial data

Item number	2702136
Packing unit	1 pc
Minimum order quantity	1 pc
Sales key	DNC6A2
Product key	DNC6A2
Catalog page	Page 390 (C-6-2019)
GTIN	4046356995863
Weight per piece (including packing)	285 g
Weight per piece (excluding packing)	482 g
Customs tariff number	85177100
Country of origin	TW

Technical data

Notes

Utilization restriction

CCCex note	Use in potentially explosive areas is not permitted in China.
------------	---

Product properties

Product type	Antenna
Radiation characteristics	Omnidirectional
Gain	4 dBi
Vertical beamwidth	30 °
Horizontal beamwidth	360 °
Polarization	Linear vertical

Electrical properties

Frequency band	868 MHz
Frequency range	868 MHz ... 870 MHz
Impedance	50 Ω
Maximum capacity	15.00 W

Connection data

Connection technology

Connection method	N (female)
Outside diameter	30 mm ... 45 mm (Mast)

Ex data

Safety data

Input voltage U_i	30 V
Input current I_i	600 mA
Input power P_i	≤ 1 W (30 dB)
Max. internal inductance L_i	negligible
Capacitance C_i	negligible

Dimensions

Height	620 mm
Diameter	20 mm

External dimensions

Outside diameter	30 mm ... 45 mm (Mast)
------------------	------------------------

Material specifications

Material	Fiberglass-reinforced plastic
	Fiberglass-reinforced plastic

ANT-OMNI-868-01 - Antenna



2702136

<https://www.phoenixcontact.com/gb/products/2702136>

	V2A
Material	Fiberglass-reinforced plastic
	Fiberglass-reinforced plastic
	V2A

Cable/line

Other resistance	salt water resistant
------------------	----------------------

Environmental and real-life conditions

Ambient conditions

Degree of protection	IP67
Ambient temperature (operation)	-40 °C ... 75 °C
Ambient temperature (storage/transport)	-40 °C ... 85 °C

Approvals

CE

Certificate	CE-compliant
-------------	--------------

ATEX

Identification	Ⓜ II 1G Ex ia IIC T6 Ga
Certificate	IBExU14 ATEX1116X
Note	Please follow the special installation instructions in the documentation!

IECEX

Identification	Ex ia IIC T6 Ga
Certificate	IBE 14.0039X

Standards and regulations

Other resistance	salt water resistant
Standards/specifications	EN 60079-0
	EN 60079-11
	EN 60079-26
Note	Explosion protection

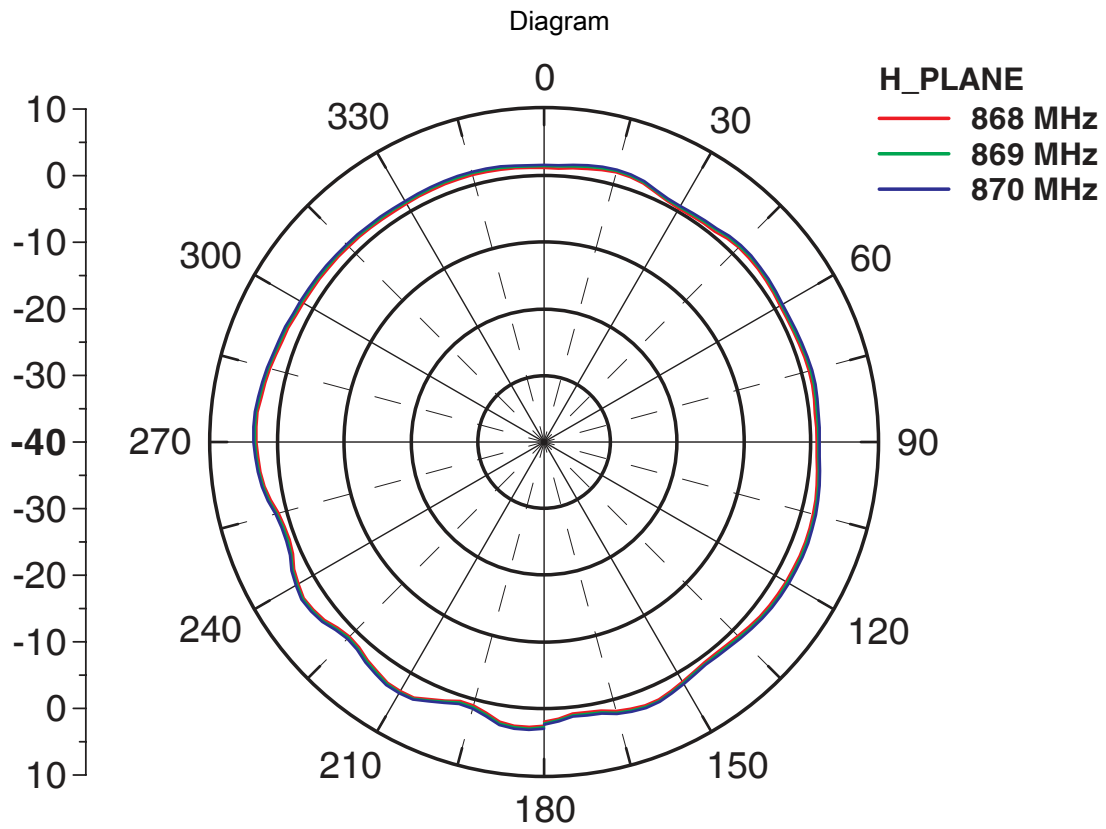
Mounting

Mounting type	Wall mounting
	Mast mounting
Assembly instructions	Outdoors and indoors
Connection method	N (female)

2702136

<https://www.phoenixcontact.com/gb/products/2702136>

Drawings



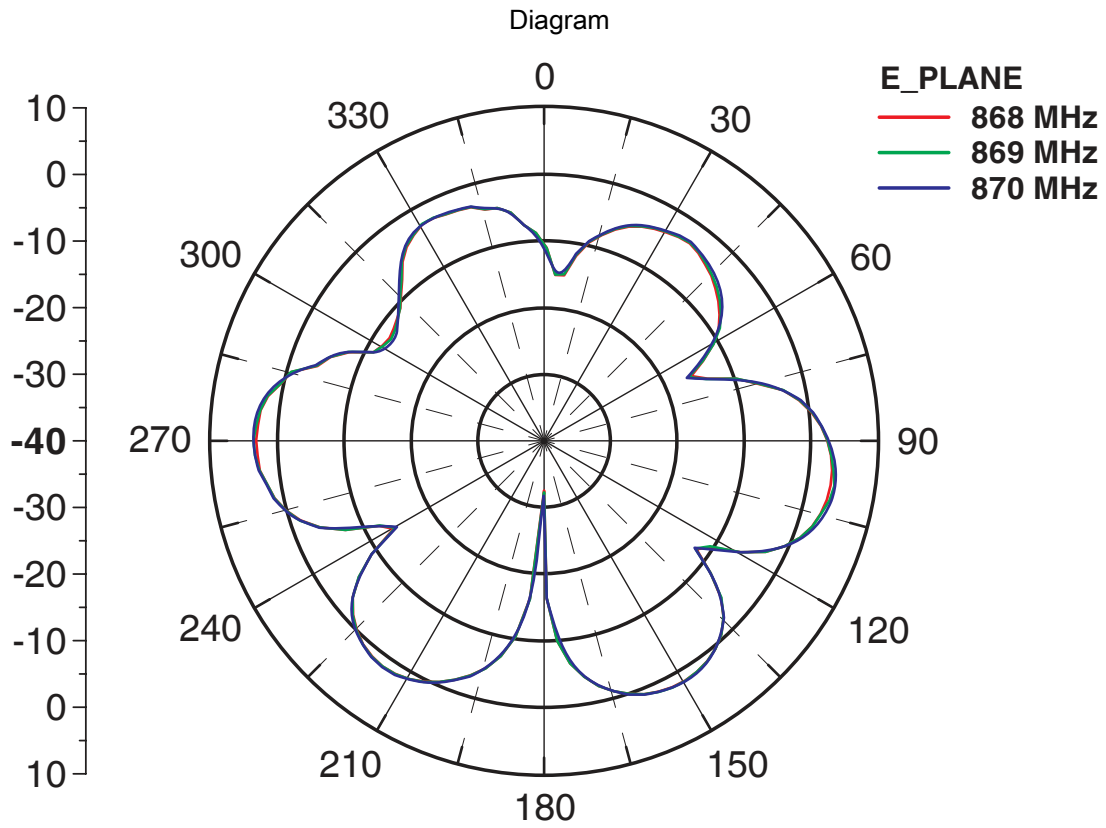
Horizontal

ANT-OMNI-868-01 - Antenna



2702136

<https://www.phoenixcontact.com/gb/products/2702136>



Vertical

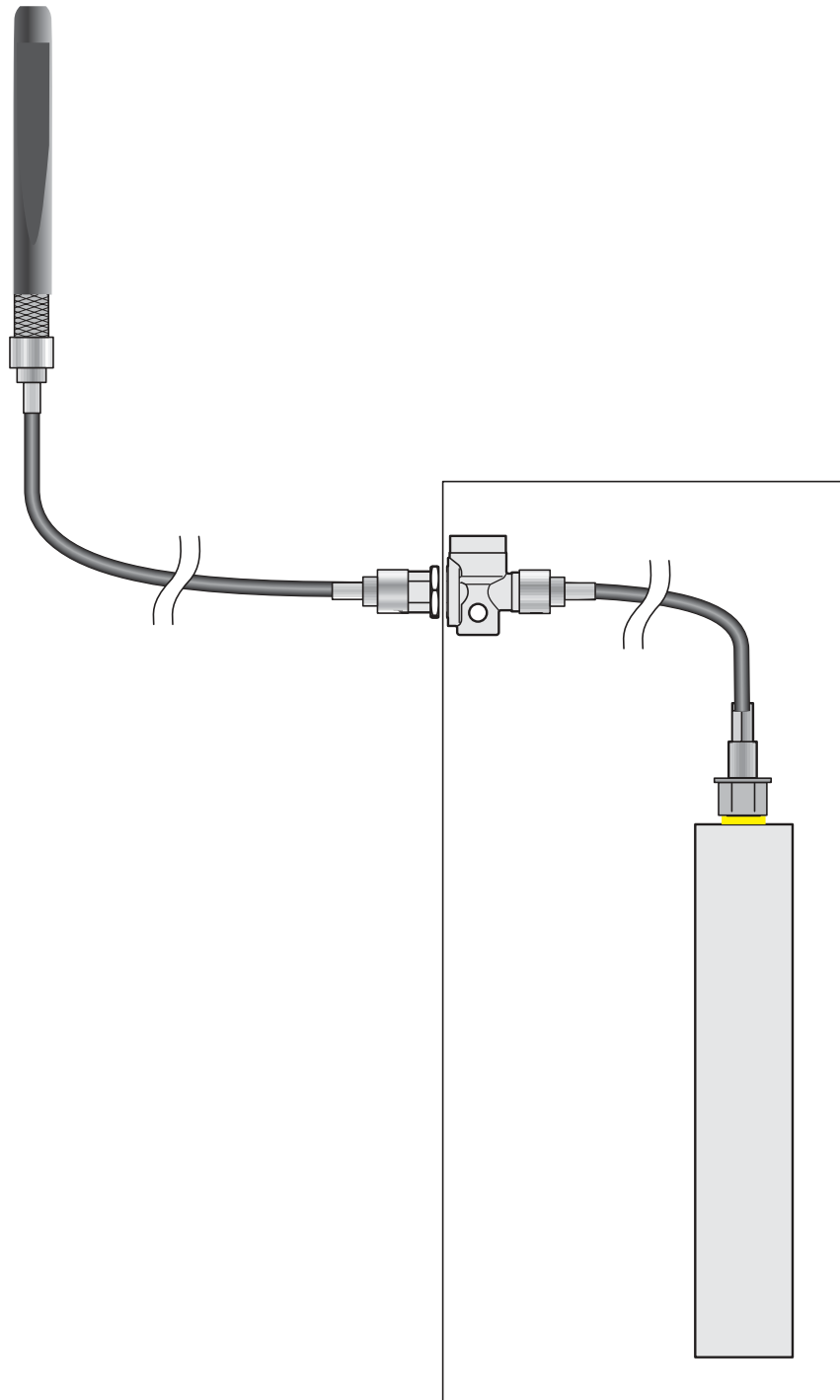
ANT-OMNI-868-01 - Antenna

2702136

<https://www.phoenixcontact.com/gb/products/2702136>



Schematic diagram



Installation example (antenna cable and surge protection available as accessories)

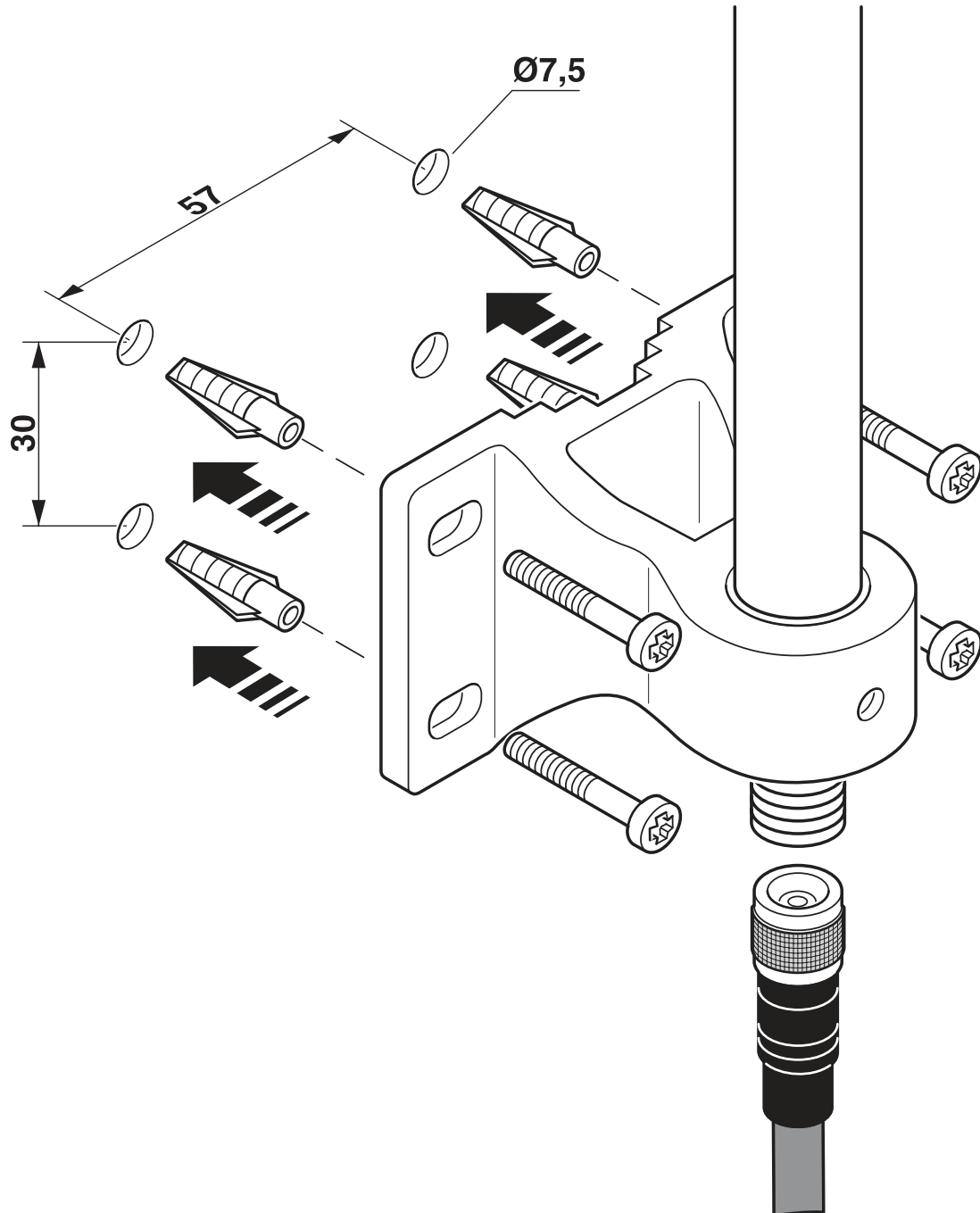
ANT-OMNI-868-01 - Antenna

2702136

<https://www.phoenixcontact.com/gb/products/2702136>



Schematic diagram



Wall mounting

ANT-OMNI-868-01 - Antenna

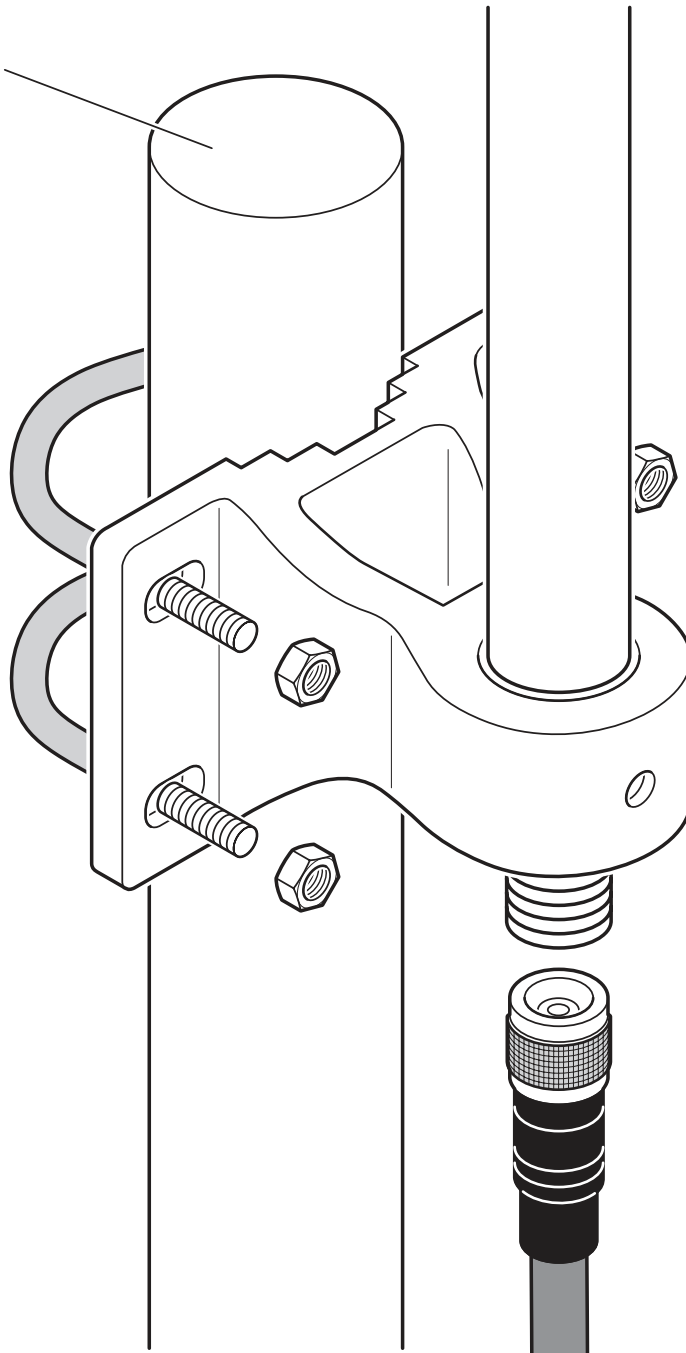
2702136

<https://www.phoenixcontact.com/gb/products/2702136>



Schematic diagram

Ø30 - 45



Mast mounting

ANT-OMNI-868-01 - Antenna

2702136

<https://www.phoenixcontact.com/gb/products/2702136>



Approvals

To download certificates, visit the product detail page: <https://www.phoenixcontact.com/gb/products/2702136>



IECEx

Approval ID: IECEx IBE 14.0039X



ATEX

Approval ID: IBExU 14 ATEX 1116 X

ANT-OMNI-868-01 - Antenna



2702136

<https://www.phoenixcontact.com/gb/products/2702136>

Classifications

ECLASS

ECLASS-11.0	19070105
ECLASS-12.0	19070105
ECLASS-13.0	19070105

ETIM

ETIM 8.0	EC001698
----------	----------

UNSPSC

UNSPSC 21.0	43223100
-------------	----------

ANT-OMNI-868-01 - Antenna

2702136

<https://www.phoenixcontact.com/gb/products/2702136>



Environmental product compliance

REACH SVHC	Lead 7439-92-1
China RoHS	Environmentally Friendly Use Period = 50 years
	For information on hazardous substances, refer to the manufacturer's declaration available under "Downloads"

ANT-OMNI-868-01 - Antenna

2702136

<https://www.phoenixcontact.com/gb/products/2702136>



Accessories

BAR-ANT-N-N-EX - Antenna barrier

2702198

<https://www.phoenixcontact.com/gb/products/2702198>



Antenna barrier for control cabinet feed-through, type of protection: Ex i, degree of protection: IP65, barrier installation: zone 2 / 22, antenna installation: in dust and gas Ex area, frequency range: 0.3 GHz ... 6 GHz, connection: 2 x N (female), ATEX, IECEx approval

RAD-TAPE-SV-19-3 - Weather protection tape

2903182

<https://www.phoenixcontact.com/gb/products/2903182>



Vulcanizing sealing tape for external protection of adapters, cable connections, etc. against the effects of weather, roll length: 3 m

ANT-OMNI-868-01 - Antenna

2702136

<https://www.phoenixcontact.com/gb/products/2702136>



CN-UB-70DC-6-BB - Surge protection device

2803166

<https://www.phoenixcontact.com/gb/products/2803166>



Attachment plug with surge protection for coaxial signal interfaces. Connection:
N connector, female/female

Phoenix Contact 2023 © - all rights reserved

<https://www.phoenixcontact.com>

PHOENIX CONTACT Ltd
Halesfield 13, Telford
Shropshire, TF7 4PG
01952 681700
info@phoenixcontact.co.uk