

ANT-DIR-868-01 - Antenna

2702137

<https://www.phoenixcontact.com/gb/products/2702137>

Please be informed that the data shown in this PDF document is generated from our online catalog. Please find the complete data in the user documentation. Our general terms of use for downloads are valid.

Directional antenna for mast or wall mounting, frequency band: 868 MHz, gain: 3.5 dBi, circular polarized, degree of protection: IP67, shockproof: IK06, seawater-resistant, connection: N (female), incl. mounting bracket and mast clamps, ATEX and IECEx approval



Your advantages

- For applications in reflective environments
- For point-to-point connections
- For use in potentially explosive areas
- Resistant to salt water

Commercial data

Item number	2702137
Packing unit	1 pc
Minimum order quantity	1 pc
Sales key	DNC6A2
Product key	DNC6A2
Catalog page	Page 390 (C-6-2019)
GTIN	4055626006512
Weight per piece (including packing)	519.2 g
Weight per piece (excluding packing)	519.2 g
Customs tariff number	85177100
Country of origin	PL

Technical data

Notes

Utilization restriction

CCCex note	Use in potentially explosive areas is not permitted in China.
------------	---------------------------------------------------------------

Product properties

Product type	Antenna
Radiation characteristics	Directional
Gain	3.5 dBi
Vertical beamwidth	90 °
Horizontal beamwidth	135 °
Polarization	Circular clockwise

Electrical properties

Frequency band	868 MHz
Frequency range	868 MHz ... 870 MHz
Impedance	50 Ω
Maximum capacity	10.00 W

Connection data

Connection technology

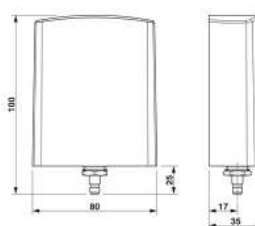
Connection method	N (female)
Outside diameter	25 mm ... 85 mm (Mast)

Ex data

Safety data

Input voltage U_i	30 V
Input current I_i	600 mA
Input power P_i	≤ 1 W (30 dB)
Max. internal inductance L_i	negligible
Capacitance C_i	negligible

Dimensions

Dimensional drawing	
Width	80 mm

ANT-DIR-868-01 - Antenna



2702137

<https://www.phoenixcontact.com/gb/products/2702137>

Height	100 mm
Length	35 mm

External dimensions

Outside diameter	25 mm ... 85 mm (Mast)
------------------	------------------------

Material specifications

Material	Lexan EXL 9330
	V2A
	V2A
Flammability rating according to UL 94	V0
Material	Lexan EXL 9330
	V2A
	V2A

Cable/line

Other resistance	salt water resistant
------------------	----------------------

Environmental and real-life conditions

Ambient conditions

Degree of protection	IP67
Ambient temperature (operation)	-40 °C ... 75 °C
Ambient temperature (storage/transport)	-40 °C ... 85 °C
Wind velocity	220 km/h

Approvals

CE

Certificate	CE-compliant
-------------	--------------

ATEX

Identification	Ⓜ II 1G Ex ia IIC T6 Ga
Certificate	IBExU14 ATEX1116X
Note	Please follow the special installation instructions in the documentation!

IECEX

Identification	Ex ia IIC T6 Ga
Certificate	IBE 14.0039X

Electronic devices in rail vehicles

Shock (operation)	In accordance with EN 50125-3, positioning profile: "away from the rails"
Vibration (operation)	In accordance with EN 50125-3, positioning profile: "away from the rails"

Standards and regulations

ANT-DIR-868-01 - Antenna



2702137

<https://www.phoenixcontact.com/gb/products/2702137>

Other resistance	salt water resistant
Standards/specifications	EN 60079-0
	EN 60079-11
	EN 60079-26
Note	Explosion protection
Standards/specifications	EN 50155
Note	Railway application
Standards/specifications	EN 45545-2
	NFPA 130
	BS 6853
Note	Fire protection on railway vehicles

Mounting

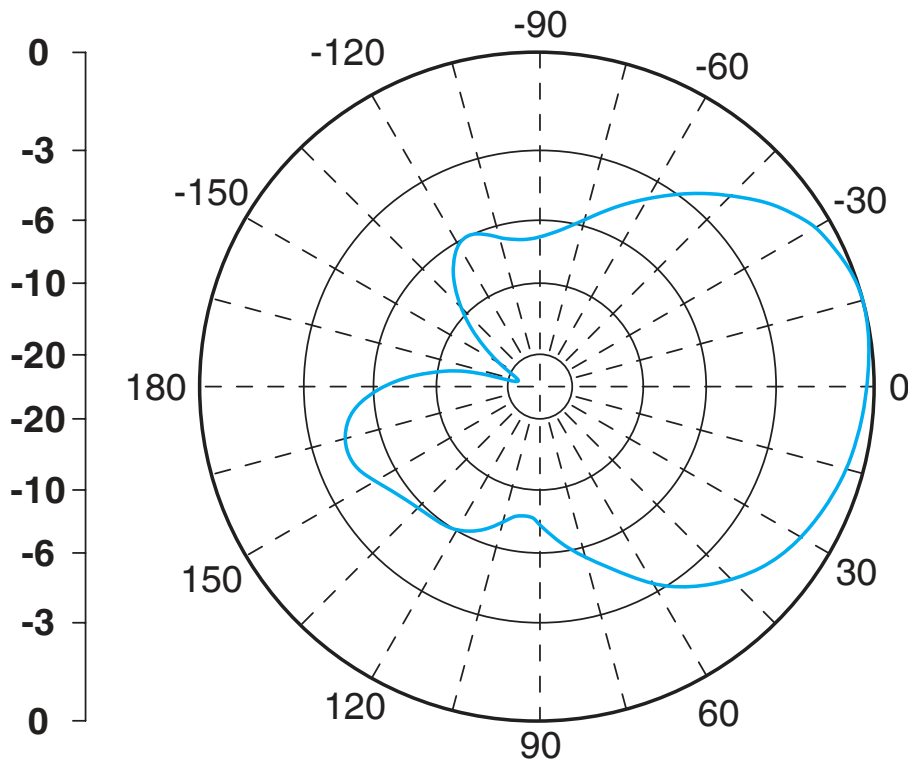
Mounting type	Wall mounting
	Mast mounting
Assembly instructions	Outdoors and indoors
Connection method	N (female)

2702137

<https://www.phoenixcontact.com/gb/products/2702137>

Drawings

Diagram



Vertical

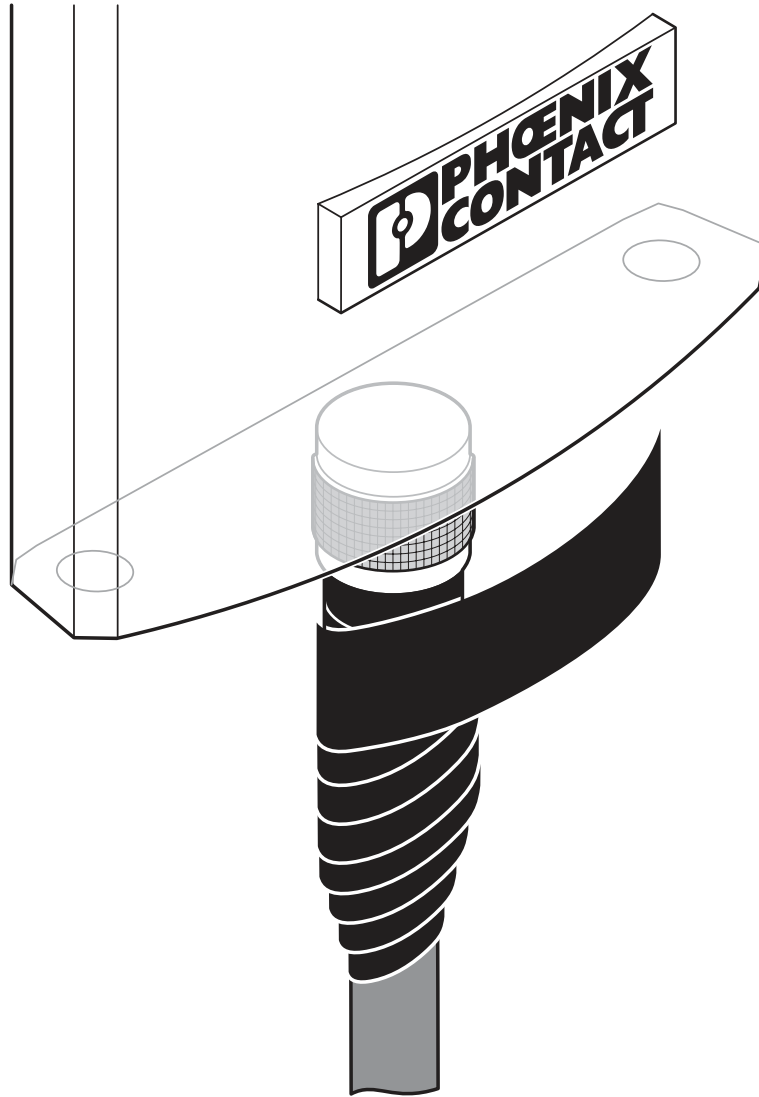
ANT-DIR-868-01 - Antenna

2702137

<https://www.phoenixcontact.com/gb/products/2702137>



Schematic diagram



Sealing tape available as an accessory

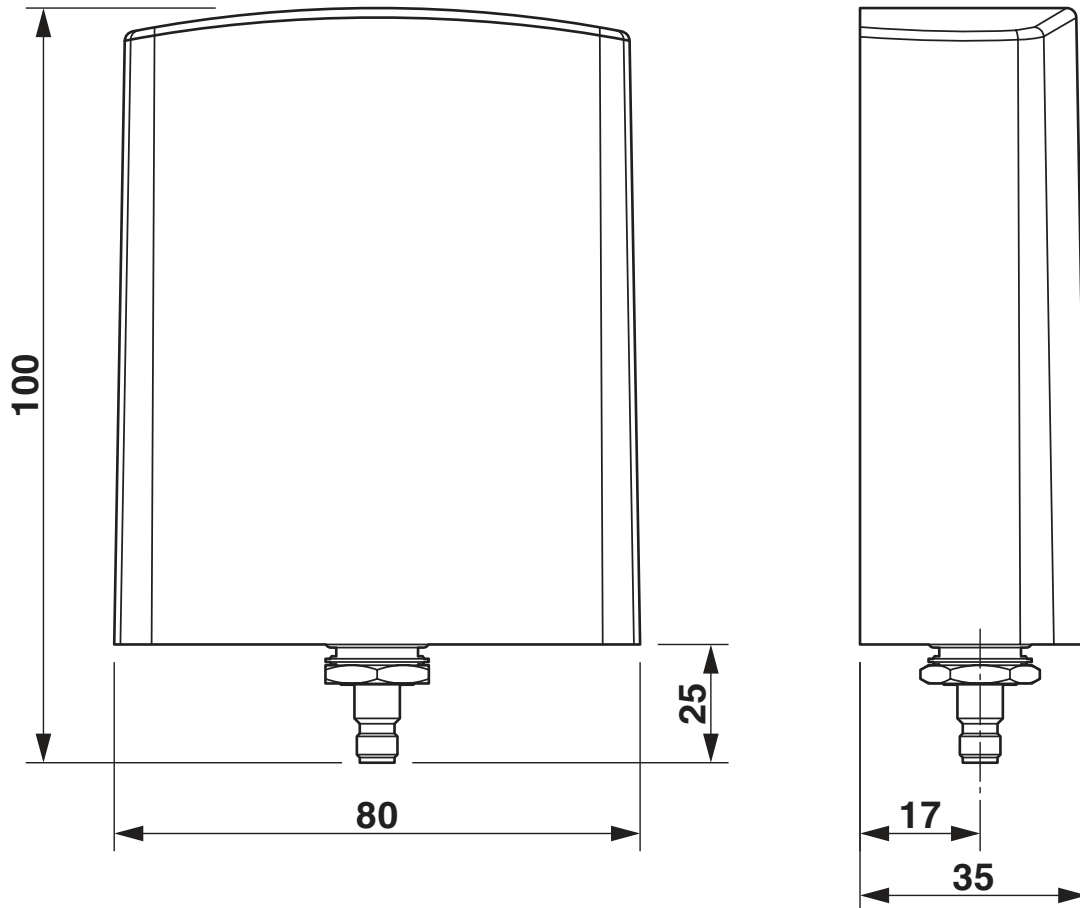
ANT-DIR-868-01 - Antenna

2702137

<https://www.phoenixcontact.com/gb/products/2702137>



Dimensional drawing



Housing dimensions

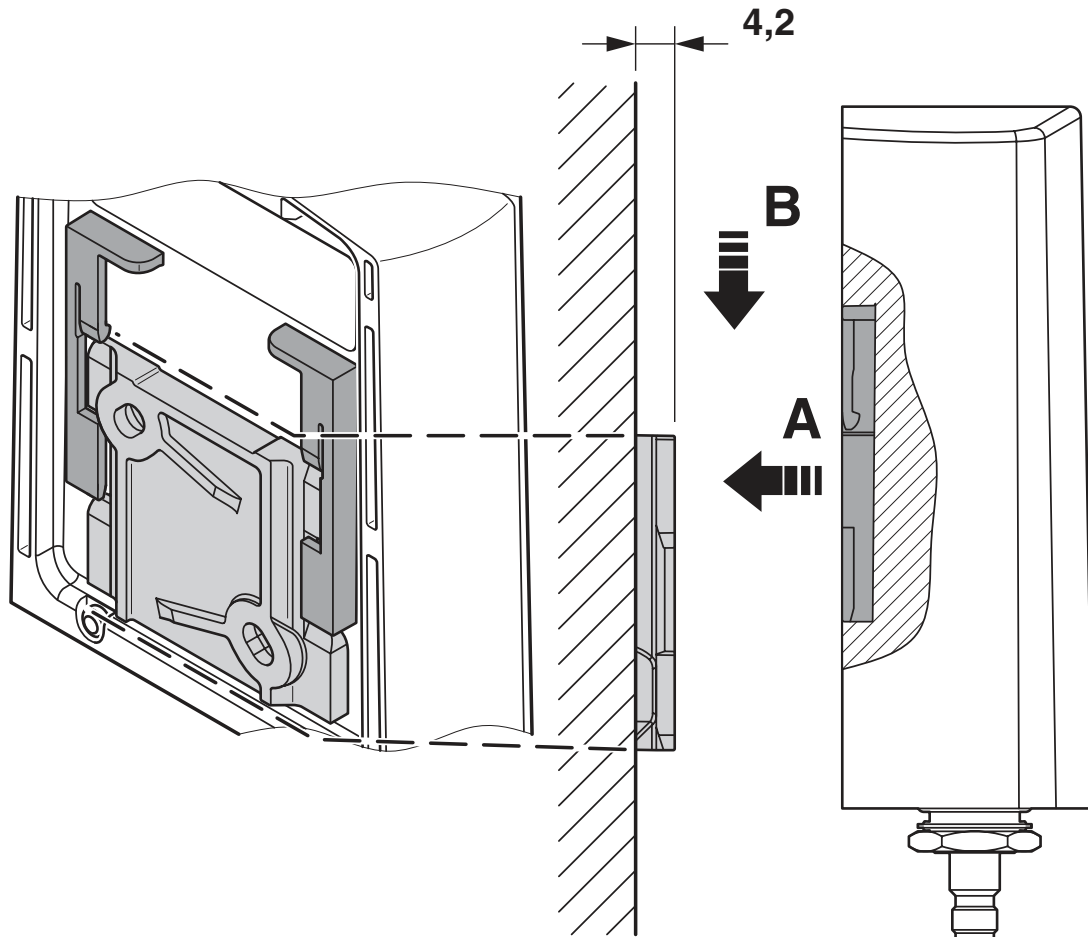
ANT-DIR-868-01 - Antenna

2702137

<https://www.phoenixcontact.com/gb/products/2702137>



Schematic diagram



Wall mounting

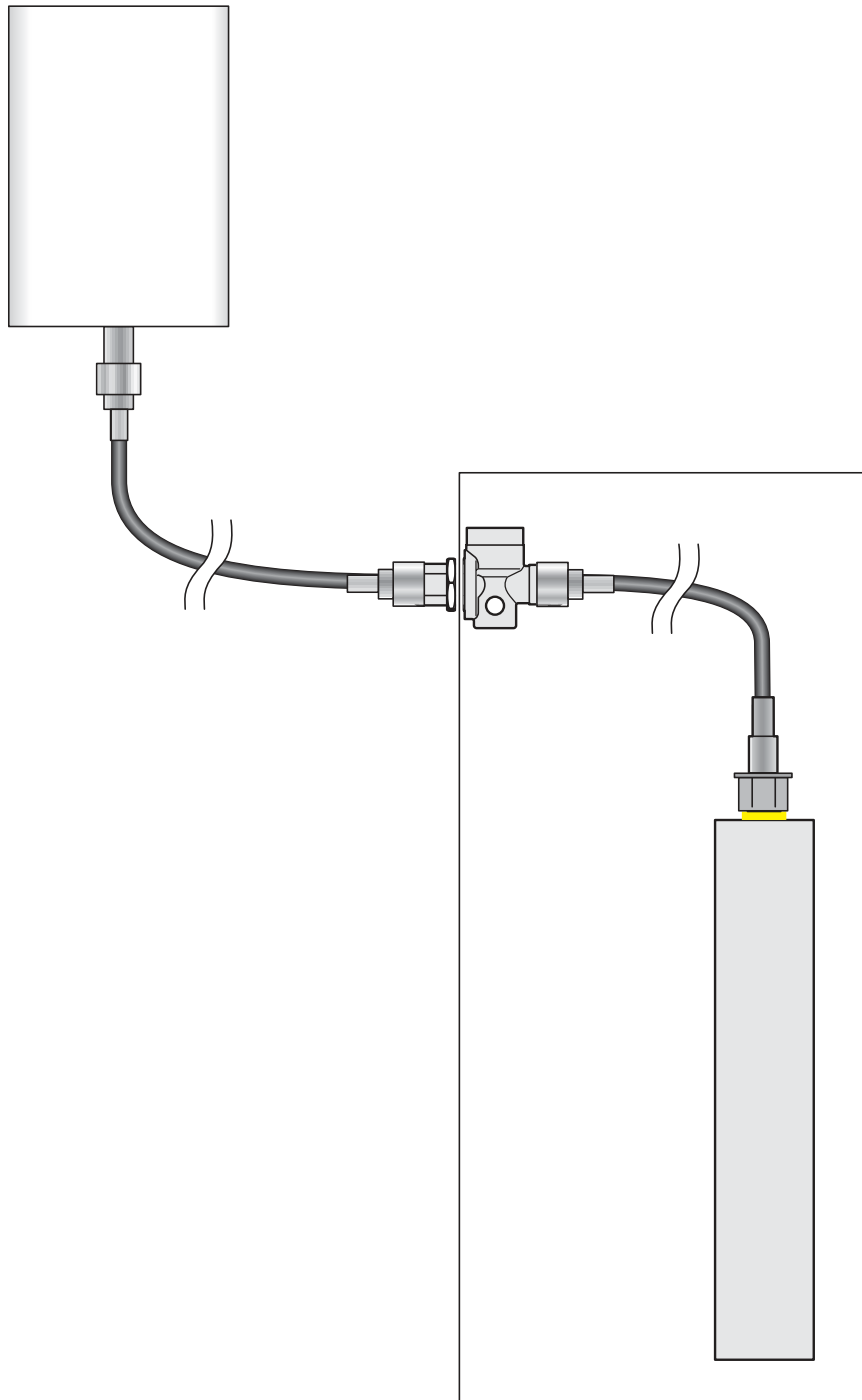
ANT-DIR-868-01 - Antenna

2702137

<https://www.phoenixcontact.com/gb/products/2702137>



Schematic diagram



Installation example

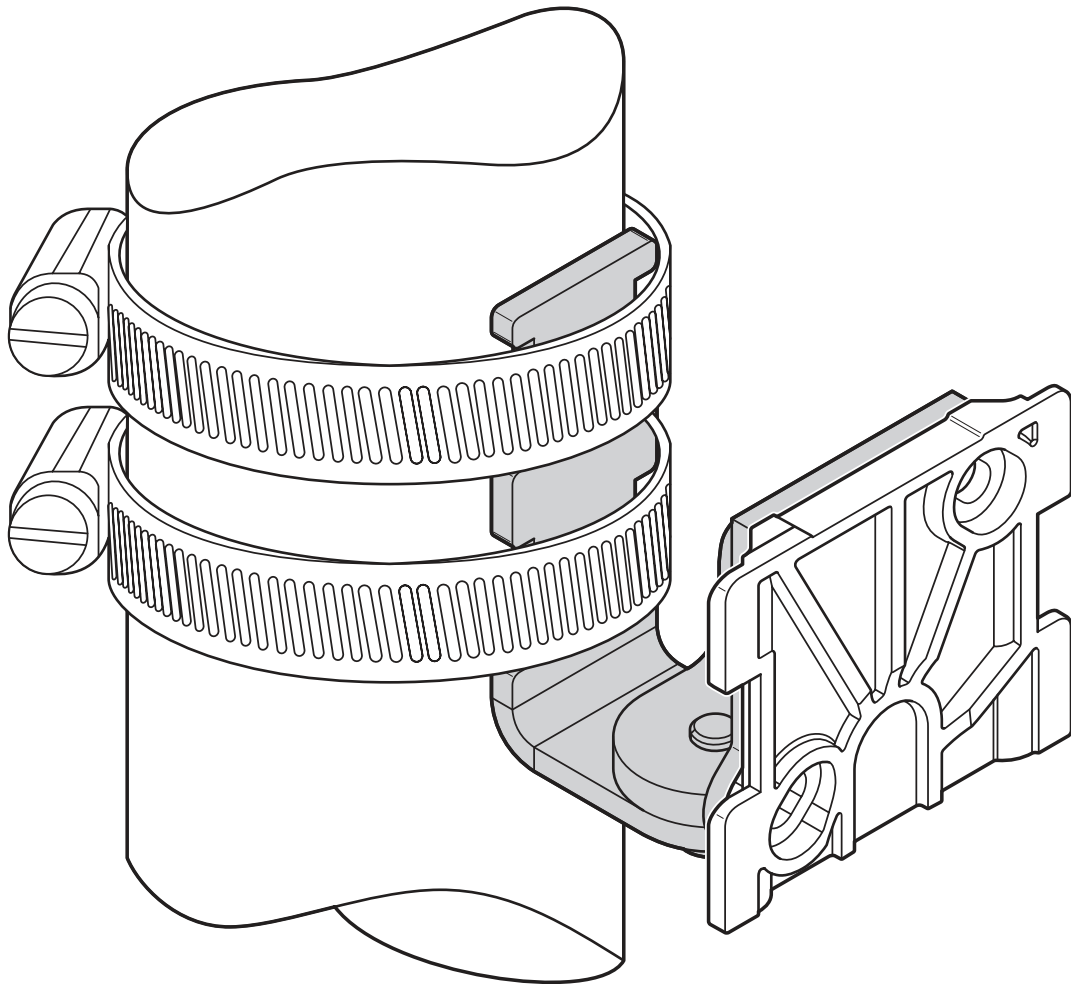
ANT-DIR-868-01 - Antenna

2702137

<https://www.phoenixcontact.com/gb/products/2702137>



Schematic diagram



Mast mounting

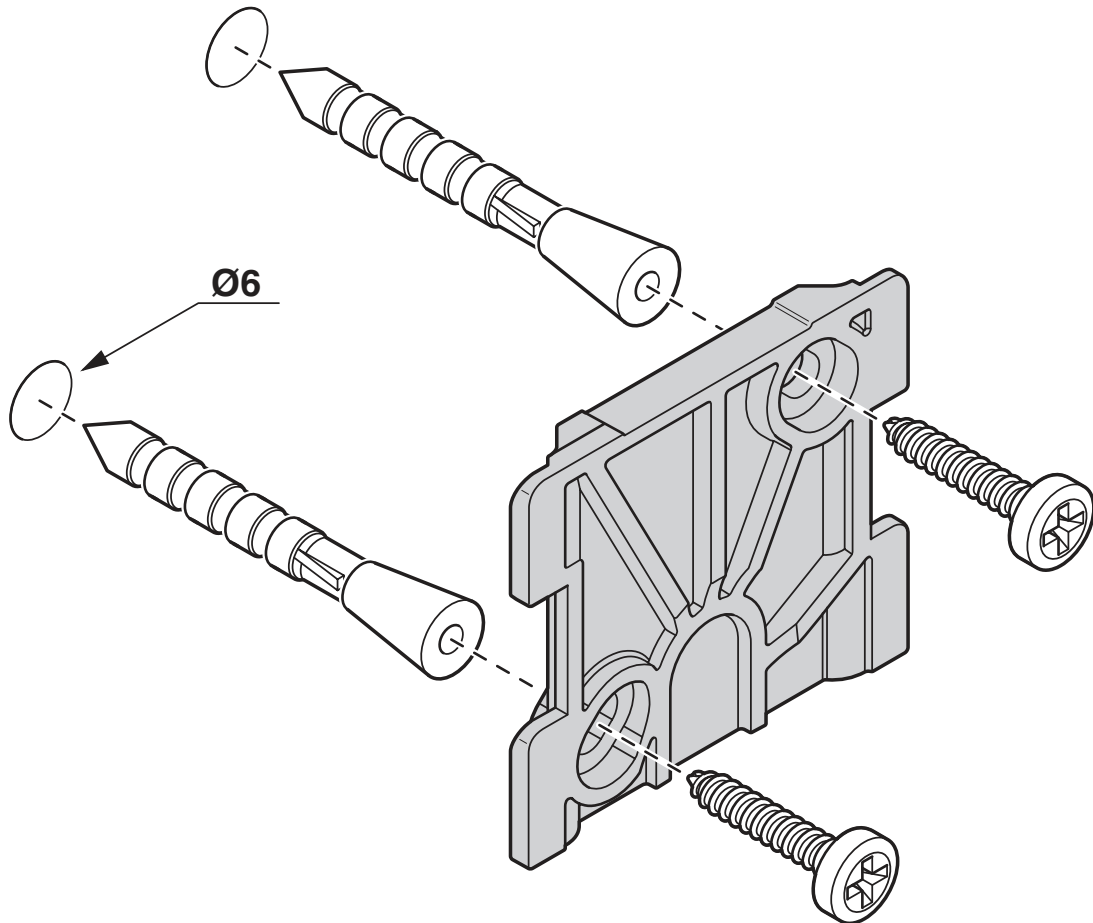
ANT-DIR-868-01 - Antenna

2702137

<https://www.phoenixcontact.com/gb/products/2702137>



Schematic diagram



Mounting panel

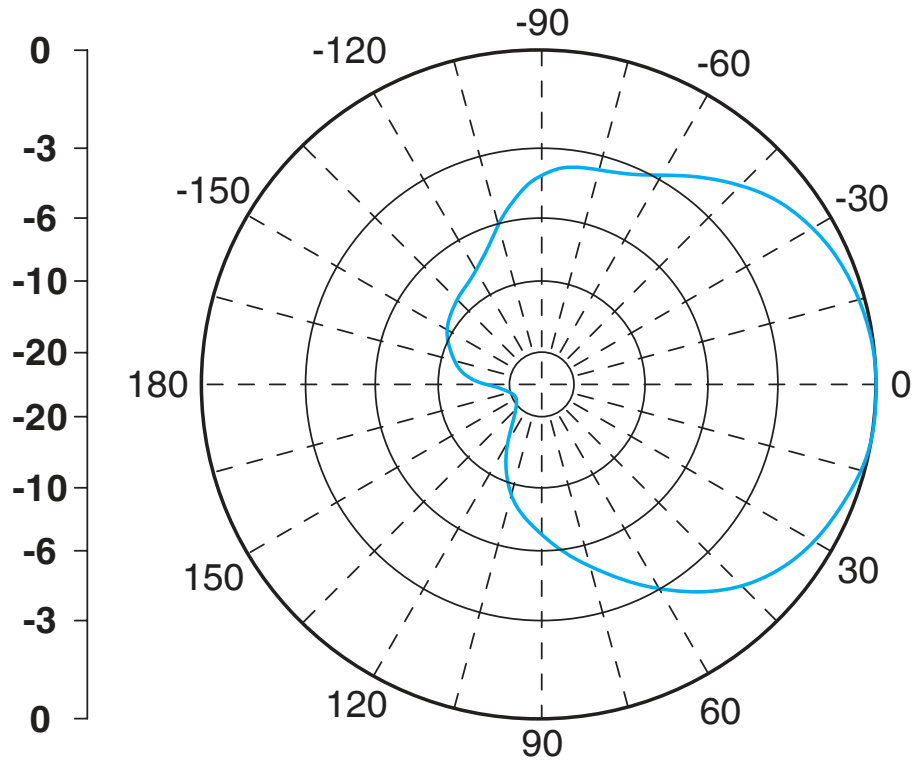
ANT-DIR-868-01 - Antenna

2702137

<https://www.phoenixcontact.com/gb/products/2702137>



Diagram



Horizontal

ANT-DIR-868-01 - Antenna



2702137

<https://www.phoenixcontact.com/gb/products/2702137>

Approvals

🔗 To download certificates, visit the product detail page: <https://www.phoenixcontact.com/gb/products/2702137>



IECEx

Approval ID: IECEx IBE 14.0039X



ATEX

Approval ID: IBExU 14 ATEX 1116 X

ANT-DIR-868-01 - Antenna

2702137

<https://www.phoenixcontact.com/gb/products/2702137>



Classifications

ECLASS

ECLASS-11.0	19070105
ECLASS-12.0	19070105
ECLASS-13.0	19070105

ETIM

ETIM 8.0	EC001698
----------	----------

UNSPSC

UNSPSC 21.0	43223100
-------------	----------

ANT-DIR-868-01 - Antenna

2702137

<https://www.phoenixcontact.com/gb/products/2702137>



Environmental product compliance

REACH SVHC	Lead 7439-92-1
China RoHS	Environmentally Friendly Use Period = 25;
	For information on hazardous substances, refer to the manufacturer's declaration available under "Downloads"

ANT-DIR-868-01 - Antenna

2702137

<https://www.phoenixcontact.com/gb/products/2702137>



Accessories

BAR-ANT-N-N-EX - Antenna barrier

2702198

<https://www.phoenixcontact.com/gb/products/2702198>



Antenna barrier for control cabinet feed-through, type of protection: Ex i, degree of protection: IP65, barrier installation: zone 2 / 22, antenna installation: in dust and gas Ex area, frequency range: 0.3 GHz ... 6 GHz, connection: 2 x N (female), ATEX, IECEx approval

RAD-TAPE-SV-19-3 - Weather protection tape

2903182

<https://www.phoenixcontact.com/gb/products/2903182>



Vulcanizing sealing tape for external protection of adapters, cable connections, etc. against the effects of weather, roll length: 3 m

ANT-DIR-868-01 - Antenna

2702137

<https://www.phoenixcontact.com/gb/products/2702137>



CN-UB-70DC-6-BB - Surge protection device

2803166

<https://www.phoenixcontact.com/gb/products/2803166>



Attachment plug with surge protection for coaxial signal interfaces. Connection:
N connector, female/female

Phoenix Contact 2023 © - all rights reserved

<https://www.phoenixcontact.com>

PHOENIX CONTACT Ltd
Halesfield 13, Telford
Shropshire, TF7 4PG
01952 681700
info@phoenixcontact.co.uk