

FL SWITCH 2304-2GC-2SFP - Industrial Ethernet Switch



2702653

<https://www.phoenixcontact.com/gb/products/2702653>

Please be informed that the data shown in this PDF document is generated from our online catalog. Please find the complete data in the user documentation. Our general terms of use for downloads are valid.



Managed Switch 2000, 4 RJ45 ports 10/100/1000 Mbps, 2 SFP ports 100/1000 Mbps, 2 Combo ports 10/100/1000 Mbps, PROFINET Conformance-Class B, Extended temperature range

Your advantages

- Ambient temperature -40 °C ... 70 °C
- RSTP
- MRP (client and manager)
- DHCP client, DHCP server (pool-based and port-based), DHCP option 82
- VLANs
- Configuration memory
- Slim design
- Web-based management, SNMP
- Easy and fast startup and commissioning with the FL NETWORK MANAGER software
- Suitable for PROFINET and EtherNet/IP™ networks

Commercial data

| | |
|--------------------------------------|---------------------|
| Item number | 2702653 |
| Packing unit | 1 pc |
| Minimum order quantity | 1 pc |
| Sales key | DNN121 |
| Product key | DNN121 |
| Catalog page | Page 313 (C-6-2019) |
| GTIN | 4055626259994 |
| Weight per piece (including packing) | 480.3 g |
| Weight per piece (excluding packing) | 308.5 g |
| Customs tariff number | 85176200 |
| Country of origin | DE |

FL SWITCH 2304-2GC-2SFP - Industrial Ethernet Switch

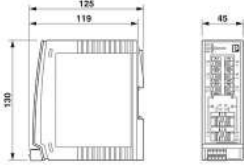


2702653

<https://www.phoenixcontact.com/gb/products/2702653>

Technical data

Dimensions

| | |
|---------------------|--|
| Dimensional drawing |  |
| Width | 45 mm |
| Height | 130 mm |
| Depth | 119 mm |

Notes

| | |
|-------------------------|---|
| General | Support by phone or on-site (fee is charged) |
| Utilization restriction | |
| EMC note | EMC: class A product, see manufacturer's declaration in the download area |

Material specifications

| | |
|------------------|--------------------------------|
| Housing material | Polycarbonate fiber reinforced |
|------------------|--------------------------------|

Mounting

| | |
|---------------|-------------------|
| Mounting type | DIN rail mounting |
|---------------|-------------------|

Interfaces

Ethernet (RJ45)

| | |
|-------------------------------|-----------------------------------|
| Connection method | RJ45 |
| Note on the connection method | Auto negotiation and autocrossing |
| Transmission speed | 10/100/1000 Mbps |
| Transmission physics | Copper |
| Transmission length | 100 m (per segment) |
| Signal LEDs | Data receive, link status |
| No. of channels | 4 (RJ45 ports) |

Ethernet (SFP)

| | |
|----------------------|--|
| Number of interfaces | 2 |
| Connection method | SFP |
| Transmission speed | 100/1000 Mbps (full duplex) |
| Transmission physics | Depending on the SFP module |
| Transmission length | up to 80 km (depending on the SFP module used) |
| Signal LEDs | Data receive, link status |
| No. of channels | 2 (SFP ports) |

FL SWITCH 2304-2GC-2SFP - Industrial Ethernet Switch



2702653

<https://www.phoenixcontact.com/gb/products/2702653>

Ethernet (combo)

| | |
|-------------------------------|--|
| Number of interfaces | 2 |
| Connection method | SFP/RJ45 |
| Note on the connection method | Auto negotiation and autocrossing |
| Transmission speed | 10/100/1000 Mbps (full duplex) |
| Transmission physics | Depending on the SFP module |
| Transmission length | up to 80 km (Depending on the fiber/SFP module used) |
| Signal LEDs | Data receive, link status |
| No. of channels | 2 (Combo ports) |

Output data

Digital

| | |
|-------------|--------------|
| Output name | Alarm output |
|-------------|--------------|

Product properties

| | |
|--------------------|--|
| Type | Book type |
| Product type | Switch |
| Product family | Managed Switch 2000 |
| MTTF | 362.94 Years (SN 29500 standard, temperature 25°C, operating cycle 21%) 158.13 Years (SN 29500 standard, temperature 40°C, operating cycle 34.25%) 19.77 Years (SN 29500 standard, temperature 70°C, operating cycle 100%) |
| Special properties | Extended temperature range |
| Signal delay | ≥ 1.9 μs (Store-and-Forward mode, 10/100/1000 Mbps, depending on the frame size) |

Insulation characteristics

| | |
|---------------------|----------------|
| Protection class | III (VDE 0106) |
| Degree of pollution | 2 |

Switch functions

| | |
|--------------------------------|--|
| Diagnostic functions | RMON History |
| | LLDP (Link Layer Discovery Protocol) |
| | SNMP-Traps |
| | N:1-Portmirroring |
| | ACD (Address Conflict Detection) |
| | SysLog |
| | CRC-Surveillance |
| Basic functions | Store-and-forward switch, complies with IEEE 802.3 |
| Signal contact control voltage | typ. 24 V DC |
| PROFINET conformance class | Conformance-Class B |
| PROFINET device function | PROFINET device |
| | Fast Startup |

FL SWITCH 2304-2GC-2SFP - Industrial Ethernet Switch



2702653

<https://www.phoenixcontact.com/gb/products/2702653>

| | |
|----------------------------------|---|
| Filter functions | Quality of Service (8 priority classes) |
| | Class of Service |
| | DiffServ/DSCP |
| | Port-Priorisierung |
| | VLAN (up to 32 VLANs) |
| | IGMP Snooping/Querier (v1/v2) |
| | Auto-Query-Port |
| | Extended Multicast Filtering |
| IP parameterization | DHCP-Client |
| | DHCP Option 82 (Relay Agent) |
| | DHCP server (pool-based, port-based) |
| | BootP |
| | DCP (Discovery and Configuration Protocol) |
| MAC address table | 8k |
| Management | Web-based management (HTTP/HTTPS) |
| | Role-based user management (LDAP, RADIUS) |
| | SNMPv1/v2/v3 |
| | Command Line Interface (Telnet, SSH) |
| Redundancy | MRP (Media Redundancy Protocol) |
| | RSTP (Rapid Spanning Tree Protocol) |
| | FRD (Fast Ring Detection) |
| | Large Tree Support |
| | LACP (Link Aggregation Control Protocol) |
| | PROFINET S2 system redundancy |
| Status and diagnostic indicators | LEDs: US1, US2 (power supply), Fail (alarm contact), 2 LEDs per Ethernet port (Link/Activity and Speed) |
| Additional functions | Jumbo frames (max. 9,600 bytes) |
| | Transmission of MMS and GOOSE (IEC 61850-8-1) |
| | Transmission of Modbus/TCP |
| Time synchronization | SNTP (Simple Network Time Protocol) |

Security functions

| | |
|-----------------|--|
| Port security | MAC-based, RADIUS (IEEE 802.1X), MAC Authentication Bypass |
| Basic functions | Store-and-forward switch, complies with IEEE 802.3 |

Electrical properties

| | |
|---|--|
| Local diagnostics | US1/2 Supply voltage US1, US2 Green LED |
| | FAIL Div. LED red |
| | LINK Link status Green LED |
| Maximum power dissipation for nominal condition | 9 W ($U_S = \text{Min}$, $T_{\text{amb}} = \text{Max}$, $DO_1 = \text{Max}$) |
| Test voltage | 500 V DC |
| Test section | for one minute 500 V DC |
| Transmission medium | Copper |
| | FO |

FL SWITCH 2304-2GC-2SFP - Industrial Ethernet Switch



2702653

<https://www.phoenixcontact.com/gb/products/2702653>

Supply

| | |
|-----------------------------|---|
| Supply voltage (DC) | 24 V DC (redundant) |
| Supply voltage range | 12 V DC ... 57 V DC |
| Power supply connection | via COMBICON, max. conductor cross section 1.5 mm ² |
| Residual ripple | 3.6 V _{PP} (within the permitted voltage range) |
| Max. current consumption | 1.5 A (U _S = Min, T _{amb} = Max, DO _I = Max) |
| Typical current consumption | 290 mA (at U _S = 24 V DC and 25 °C ambient temperature) |
| Current consumption | 290 mA |

Function

| | |
|--------------------------------|--------------|
| Signal contact control voltage | typ. 24 V DC |
|--------------------------------|--------------|

Connection data

| | |
|-----------------------------------|---|
| Connection method | Push-in spring connection |
| Note on the connection method | Use only copper connecting cables providing the permitted temperature range (-40 °C ... 75 °C). |
| Conductor cross section, rigid | 0.25 mm ² ... 1.5 mm ² |
| Conductor cross section, flexible | 0.25 mm ² ... 1.5 mm ² |
| Conductor cross section AWG | 24 ... 16 |
| Stripping length | 9 mm |

Environmental and real-life conditions

Ambient conditions

| | |
|--|---|
| Degree of protection | IP20 |
| Ambient temperature (operation) | -40 °C ... 70 °C |
| Ambient temperature (storage/transport) | -40 °C ... 85 °C |
| Permissible humidity (operation) | 10 % ... 95 % (non-condensing) |
| Permissible humidity (storage/transport) | 10 % ... 95 % (non-condensing) |
| Shock (operation) | 30g (EN 60068-2-27) |
| Vibration (operation) | in acc. with IEC 60068-2-6: 5g, 150 Hz |
| Air pressure (operation) | 80 kPa ... 110 kPa up to 2000 m above mean sea level (Without derating) |
| Air pressure (storage/transport) | 79 kPa ... 108 kPa up to 2000 m above mean sea level (Without derating) |

Standards and regulations

| | |
|---|-----|
| Free from substances that could impair the application of coating | Yes |
|---|-----|

Approvals

| | |
|-----------------------|--|
| Shipbuilding approval | Tested in accordance with IEC 60945 and IACS E10 |
|-----------------------|--|

ATEX

| | |
|----------------|--------------------------|
| Identification | Ⓢ II 3 G Ex ec IIC T4 Gc |
| Certificate | DEMKO 16 ATEX 1709X |

IECEX

FL SWITCH 2304-2GC-2SFP - Industrial Ethernet Switch



2702653

<https://www.phoenixcontact.com/gb/products/2702653>

| | |
|----------------|---------------------|
| Identification | Ex ec IIC T4 Gc |
| Certificate | IECEX ULD 16.0018 X |

UL, USA/Canada

| | |
|----------------|-------|
| Identification | cULus |
|----------------|-------|

UL Ex, USA / Canada

| | |
|----------------|---|
| Identification | Class I, Division 2, Groups A, B, C, and D, T4 |
| | Class I, Zone 2, AEx ec IIC T4 |
| | Ex ec IIC T4 Gc X |
| Certificate | E366272 |
| Note | UL 60079-0 Ed. 6 / UL 60079-7 Ed. 5, CSA 22.2 No. 60079-0 Ed. 3 / CSA C22.2 No. 60079-7 Ed. 2 |

EAC Ex

| | |
|----------------|-------------------------|
| Identification | 2Ex e IIC T4 Gc X |
| Certificate | RU C-DE.HB49.B.00118/21 |

The following continue to apply for EAC Ex:

| | |
|----------------|---|
| Identification | При монтаже использовать подходящий допущенный корпус со степенью защиты не ниже IP66. |
| | На корпусе/шкафу управления должна быть размещена предупреждающая надпись, запрещающая открывать корпус или шкаф во взрывоопасной зоне. |
| | Эксплуатация устройства допускается только при условии, что все оптические порты заняты подключенными устройствами или закрыты прилагаемыми заглушками. |

CCC / China-Ex

| | |
|----------------|------------------|
| Identification | Ex ec IIC T4 Gc |
| Certificate | 2022122310115629 |

Corrosive gas test

| | |
|----------------|----------------------------------|
| Identification | ISA S71.04.2013 G3 Harsh Group A |
|----------------|----------------------------------|

UKCA Ex (UKEX)

| | |
|----------------|--------------------------|
| Identification | Ⓜ II 3 G Ex ec IIC T4 Gc |
| Certificate | PxCIMA22UKEX2702910X |

DNV GL data

| | |
|-------------|---|
| Temperature | B |
| Humidity | B |
| Vibration | A |
| EMC | B |
| Enclosure | Required protection according to the Rules shall be provided upon installation on board |

EMC data

| | |
|---------------------------------|--|
| Conformance with EMC directives | EN 61000-6-2 EN 61000-4-2 (ESD) Criterion B |
| | EN 61000-6-2 EN 61000-4-3 (electromagnetic fields) Criterion A |

FL SWITCH 2304-2GC-2SFP - Industrial Ethernet Switch



2702653

<https://www.phoenixcontact.com/gb/products/2702653>

| | |
|-------------------------------|---|
| | EN 61000-6-2 EN 61000-4-4 (EFT burst) Criterion A |
| | EN 61000-6-2 EN 61000-4-5 (surge) Criterion B |
| | EN 61000-6-2 EN 61000-4-6 (line noise immunity) Criterion A |
| | EN 61000-6-2 EN 61000-6-4 (interference) Class A |
| | EN 61000-6-2 EN 61000-6-4 (conducted interference) Class A |
| Noise immunity | EN 61000-6-2 |
| Electromagnetic compatibility | Conformance with EMC Directive 2014/30/EU |
| Noise emission | EN 61000-6-4 |

System properties

Functionality

| | |
|-----------------|--|
| Basic functions | Store-and-forward switch, complies with IEEE 802.3 |
|-----------------|--|

Signaling

| | |
|----------------|---|
| Status display | LEDs: US1, US2 (power supply), Fail (alarm contact), 2 LEDs per Ethernet port (Link/Activity and Speed) |
|----------------|---|

FL SWITCH 2304-2GC-2SFP - Industrial Ethernet Switch

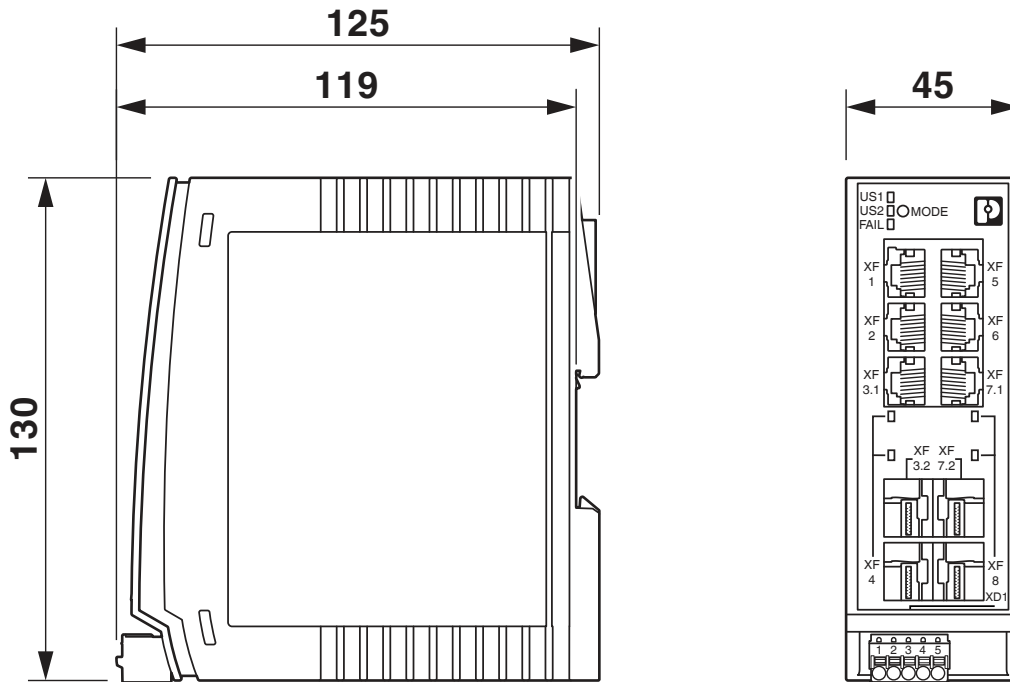


2702653

<https://www.phoenixcontact.com/gb/products/2702653>

Drawings

Dimensional drawing



FL SWITCH 2304-2GC-2SFP - Industrial Ethernet Switch



2702653

<https://www.phoenixcontact.com/gb/products/2702653>

Approvals

To download certificates, visit the product detail page: <https://www.phoenixcontact.com/gb/products/2702653>



EAC

Approval ID: RU*-DE.*.B.00741/19



DNV GL

Approval ID: TAA00000YV



LR

Approval ID: LR22250919TA



NK

Approval ID: TA19464M



BV

Approval ID: 48146/A1 BV



UL Listed

Approval ID: FILE E 238705



cUL Listed

Approval ID: FILE E 238705

BSH

Approval ID: Nr. 966



RINA

Approval ID: ELE162721XG

ABS

Approval ID: 21-2066186-PDA



cUL Listed

Approval ID: FILE E 238705

FL SWITCH 2304-2GC-2SFP - Industrial Ethernet Switch



2702653

<https://www.phoenixcontact.com/gb/products/2702653>



UL Listed

Approval ID: FILE E 238705

UAE-RoHS

Approval ID: 23-02-63229



cUL Listed

Approval ID: FILE E 366272



UL Listed

Approval ID: FILE E 366272



IECEx

Approval ID: IECEx ULD 16.0018X



ATEX

Approval ID: DEMKO 16 ATEX 1709X

cULus Listed

FL SWITCH 2304-2GC-2SFP - Industrial Ethernet Switch



2702653

<https://www.phoenixcontact.com/gb/products/2702653>

Classifications

ECLASS

| | |
|-------------|----------|
| ECLASS-11.0 | 19170401 |
| ECLASS-12.0 | 19170401 |
| ECLASS-13.0 | 19170401 |

ETIM

| | |
|----------|----------|
| ETIM 8.0 | EC000734 |
|----------|----------|

UNSPSC

| | |
|-------------|----------|
| UNSPSC 21.0 | 43222600 |
|-------------|----------|

FL SWITCH 2304-2GC-2SFP - Industrial Ethernet Switch



2702653

<https://www.phoenixcontact.com/gb/products/2702653>

Environmental product compliance

| | |
|------------|--|
| REACH SVHC | Lead 7439-92-1 |
| China RoHS | Environmentally Friendly Use Period = 50 years |
| | For information on hazardous substances, refer to the manufacturer's declaration available under "Downloads" |

FL SWITCH 2304-2GC-2SFP - Industrial Ethernet Switch



2702653

<https://www.phoenixcontact.com/gb/products/2702653>

Accessories

SD FLASH 2GB - Program / configuration memory

2988162

<https://www.phoenixcontact.com/gb/products/2988162>



Program and configuration memory, for extending the internal flash memory, pluggable, 2 GB.

FL NETWORK MANAGER BASIC - Network management software

2702889

<https://www.phoenixcontact.com/gb/products/2702889>



SNMP-based software for easy commissioning and monitoring of network components such as switches, routers, and WLAN access points

FL SWITCH 2304-2GC-2SFP - Industrial Ethernet Switch



2702653

<https://www.phoenixcontact.com/gb/products/2702653>

FL DIN RA - DIN rail adapter

2891053

<https://www.phoenixcontact.com/gb/products/2891053>

The FL DIN RA is installed in a standard, 19-inch rack (EIA-310-D, IEC 60297-3-100) to allow DIN rail mounted equipment to be rack mounted.



FL RJ45 PROTECT CAP - Dust protection

2832991

<https://www.phoenixcontact.com/gb/products/2832991>

Dust protection caps for RJ45 socket



FL SWITCH 2304-2GC-2SFP - Industrial Ethernet Switch



2702653

<https://www.phoenixcontact.com/gb/products/2702653>

E/NS 35 N - End clamp

0800886

<https://www.phoenixcontact.com/gb/products/0800886>

End clamp, width: 9.5 mm, color: gray



FK-MCP 1,5/ 5-ST-3,81GY35BD1-5 - PCB connector

1015782

<https://www.phoenixcontact.com/gb/products/1015782>



PCB connector, nominal cross section: 1.5 mm², color: light grey, nominal current: 8 A, rated voltage (III/2): 160 V, contact surface: Tin, contact connection type: Socket, number of potentials: 5, number of rows: 1, number of positions: 5, number of connections: 5, product range: FK-MCP 1,5/...-ST, pitch: 3.81 mm, connection method: Push-in spring connection, conductor/PCB connection direction: 0 °, plug-in system: COMBICON MC 1,5, locking: without, mounting: without, type of packaging: packed in cardboard

FL SWITCH 2304-2GC-2SFP - Industrial Ethernet Switch



2702653

<https://www.phoenixcontact.com/gb/products/2702653>

MCVW 1,5/ 5-ST-3,81GY7035BD2DO - PCB connector

1034096

<https://www.phoenixcontact.com/gb/products/1034096>



PCB connector, nominal cross section: 1.5 mm², color: light grey, nominal current: 8 A, rated voltage (III/2): 160 V, contact surface: Tin, contact connection type: Socket, number of potentials: 5, number of rows: 1, number of positions: 5, number of connections: 5, product range: MCVW 1,5/...-ST, pitch: 3.81 mm, connection method: Screw connection with tension sleeve, screw head form: L Slotted, conductor/PCB connection direction: -90 °, plug-in system: COMBICON MC 1,5, locking: without, mounting: without, type of packaging: packed in cardboard

FL SFP FX - Media module

2891081

<https://www.phoenixcontact.com/gb/products/2891081>



The small form-factor plug-in module provides a fiber optic interface with a data transmission speed of 100 Mbps with a wavelength of 1310 nm (long).

FL SWITCH 2304-2GC-2SFP - Industrial Ethernet Switch



2702653

<https://www.phoenixcontact.com/gb/products/2702653>

FL SFP FX SM - Media module

2891082

<https://www.phoenixcontact.com/gb/products/2891082>



The small form-factor plug-in module provides a fiber optic interface with a data transmission speed of 100 Mbps with a wavelength of 1310 nm (long).

FL SFP SX - Media module

2891754

<https://www.phoenixcontact.com/gb/products/2891754>



Gigabit SFP module for transmission up to 1 km with a wavelength of 850 nm.

FL SWITCH 2304-2GC-2SFP - Industrial Ethernet Switch



2702653

<https://www.phoenixcontact.com/gb/products/2702653>

FL SFP SX2 - Media module

2702397

<https://www.phoenixcontact.com/gb/products/2702397>



Gigabit SFP module for transmission up to 2 km with a wavelength of 1310 nm.

FL SFP LX10-B - Media module

1025401

<https://www.phoenixcontact.com/gb/products/1025401>



Gigabit SFP module for transmission up to 10 km with a wavelength of 1310 nm.

FL SWITCH 2304-2GC-2SFP - Industrial Ethernet Switch



2702653

<https://www.phoenixcontact.com/gb/products/2702653>

FL SFP LX - Media module

2891767

<https://www.phoenixcontact.com/gb/products/2891767>



Gigabit SFP module for transmission up to 30 km with a wavelength of 1310 nm.

FL SFP LX40 - Media module

1113081

<https://www.phoenixcontact.com/gb/products/1113081>



Gigabit SFP module for transmission up to 40 km with a wavelength of 1310 nm.

FL SWITCH 2304-2GC-2SFP - Industrial Ethernet Switch



2702653

<https://www.phoenixcontact.com/gb/products/2702653>

FL SFP LH - Media module

2989912

<https://www.phoenixcontact.com/gb/products/2989912>



Gigabit SFP module for transmission up to 80 km with a wavelength of 1,550 nm.

FL SFP WDM10-SET - Media module

2702442

<https://www.phoenixcontact.com/gb/products/2702442>



Gigabit SFP WDM set for transmission up to a maximum of 10 km on a single fiber with a wavelength of 1310/1550 nm.

FL SWITCH 2304-2GC-2SFP - Industrial Ethernet Switch



2702653

<https://www.phoenixcontact.com/gb/products/2702653>

FL SFP FE WDM20-SET - Media module

2702439

<https://www.phoenixcontact.com/gb/products/2702439>

Fast Ethernet SFP WDM set for transmission up to a maximum of 20 km on a single fiber with a wavelength of 1310/1550 nm.



FL SFP GT - Media module

2989420

<https://www.phoenixcontact.com/gb/products/2989420>

Gigabit SFP module for transmission up to 100 m.



FL SWITCH 2304-2GC-2SFP - Industrial Ethernet Switch



2702653

<https://www.phoenixcontact.com/gb/products/2702653>

FL CAT5 PATCH 0,5 - Patch cable

2832263

<https://www.phoenixcontact.com/gb/products/2832263>

Patch cable, CAT5, assembled, 0.5 m



FL CAT5 PATCH 1,0 - Patch cable

2832276

<https://www.phoenixcontact.com/gb/products/2832276>

Patch cable, CAT5, assembled, 1 m



FL SWITCH 2304-2GC-2SFP - Industrial Ethernet Switch



2702653

<https://www.phoenixcontact.com/gb/products/2702653>

FL CAT5 PATCH 2,0 - Patch cable

2832289

<https://www.phoenixcontact.com/gb/products/2832289>



Patch cable, CAT5, assembled, 2 m

NBC-R4AC-R4AC-IE8A/.../... - Patch cable

1411854

<https://www.phoenixcontact.com/gb/products/1411854>



Patch cable, degree of protection: IP20, number of positions: 8, 10 Gbps, CAT6_A, cable outlet: straight, Ethernet

FL SWITCH 2304-2GC-2SFP - Industrial Ethernet Switch

2702653

<https://www.phoenixcontact.com/gb/products/2702653>

NBC-R4AC/10G-R4AC/10G-94F/2,0 - Patch cable

1408360

<https://www.phoenixcontact.com/gb/products/1408360>



Patch cable, CAT6_A, 4-pair, shielded, connection not crossed (line), assembled at both ends with RJ45/IP20 connectors, outer sheath material: PUR, length: 2.0 m

NBC-R4AC/10G-R4AC/10G-94F/3,0 - Patch cable

1408365

<https://www.phoenixcontact.com/gb/products/1408365>



Patch cable, CAT6_A, 4-pair, shielded, connection not crossed (line), assembled at both ends with RJ45/IP20 connectors, outer sheath material: PUR, length: 3.0 m

FL SWITCH 2304-2GC-2SFP - Industrial Ethernet Switch



2702653

<https://www.phoenixcontact.com/gb/products/2702653>

NBC-R4AC/1,0-93B/R4AC - Patch cable

1408968

<https://www.phoenixcontact.com/gb/products/1408968>



Patch cable, degree of protection: IP20, cable length: 1 m, number of positions: 4, 100 Mbps, CAT5, material: PA 6.6, PROFINET

NBC-R4AC/2,0-93B/R4AC - Patch cable

1408969

<https://www.phoenixcontact.com/gb/products/1408969>



Patch cable, degree of protection: IP20, cable length: 2 m, number of positions: 4, 100 Mbps, CAT5, material: PA 6.6, PROFINET

FL SWITCH 2304-2GC-2SFP - Industrial Ethernet Switch



2702653

<https://www.phoenixcontact.com/gb/products/2702653>

NBC-R4AC/5,0-93B/R4AC - Patch cable

1408970

<https://www.phoenixcontact.com/gb/products/1408970>



Patch cable, degree of protection: IP20, cable length: 5 m, number of positions: 4, 100 Mbps, CAT5, material: PA 6.6, PROFINET

FOC-LC:PA-SC:PA-OM2:D01/1 - FO patch cable

1115607

<https://www.phoenixcontact.com/gb/products/1115607>



Multi-mode OM2 duplex jumper, LC-SC, UPC polishing, length 1 m

FL SWITCH 2304-2GC-2SFP - Industrial Ethernet Switch



2702653

<https://www.phoenixcontact.com/gb/products/2702653>

FOC-LC:PA-SC:PA-OM2:D01/2 - FO patch cable

1115605

<https://www.phoenixcontact.com/gb/products/1115605>

Multi-mode OM2 duplex jumper, LC-SC, UPC polishing, length 2 m



FOC-LC:PA-LC:PA-OM2:D01/1 - FO patch cable

1115633

<https://www.phoenixcontact.com/gb/products/1115633>

Multi-mode OM2 duplex jumper, LC-LC, UPC polishing, length 1 m



FL SWITCH 2304-2GC-2SFP - Industrial Ethernet Switch



2702653

<https://www.phoenixcontact.com/gb/products/2702653>

FOC-LC:PA-LC:PA-OM2:D01/2 - FO patch cable

1115634

<https://www.phoenixcontact.com/gb/products/1115634>

Multi-mode OM2 duplex jumper, LC-LC, UPC polishing, length 2 m



FOC-LC:PA-ST:PA-OM2:D01/1 - Fiber optic cable

1115588

<https://www.phoenixcontact.com/gb/products/1115588>

Multi-mode OM2 duplex jumper, LC-ST, UPC polishing, length 1 m



FL SWITCH 2304-2GC-2SFP - Industrial Ethernet Switch



2702653

<https://www.phoenixcontact.com/gb/products/2702653>

FOC-LC:PA-ST:PA-OM2:D01/2 - Fiber optic cable

1115587

<https://www.phoenixcontact.com/gb/products/1115587>

Multi-mode OM2 duplex jumper, LC-ST, UPC polishing, length 2 m



FOC-LC:PA-SC:PA-OM4:D01/1 - FO patch cable

1115601

<https://www.phoenixcontact.com/gb/products/1115601>

Multi-mode OM4 duplex jumper, LC-SC, UPC polishing, length 1 m



FL SWITCH 2304-2GC-2SFP - Industrial Ethernet Switch



2702653

<https://www.phoenixcontact.com/gb/products/2702653>

FOC-LC:PA-SC:PA-OM4:D01/2 - FO patch cable

1115600

<https://www.phoenixcontact.com/gb/products/1115600>

Multi-mode OM4 duplex jumper, LC-SC, UPC polishing, length 2 m



FOC-LC:PA-LC:PA-OM4:D01/1 - FO patch cable

1115625

<https://www.phoenixcontact.com/gb/products/1115625>

Multi-mode OM4 duplex jumper, LC-LC, UPC polishing, length 1 m



FL SWITCH 2304-2GC-2SFP - Industrial Ethernet Switch



2702653

<https://www.phoenixcontact.com/gb/products/2702653>

FOC-LC:PA-LC:PA-OM4:D01/2 - FO patch cable

1115624

<https://www.phoenixcontact.com/gb/products/1115624>

Multi-mode OM4 duplex jumper, LC-LC, UPC polishing, length 2 m



FOC-LC:PA-LC:PA-OS2:D01/1 - FO patch cable

1115636

<https://www.phoenixcontact.com/gb/products/1115636>

Single-mode OS2 duplex jumper, LC-LC, UPC polishing, length 1 m



FL SWITCH 2304-2GC-2SFP - Industrial Ethernet Switch



2702653

<https://www.phoenixcontact.com/gb/products/2702653>

FOC-LC:PA-LC:PA-OS2:D01/2 - FO patch cable

1115629

<https://www.phoenixcontact.com/gb/products/1115629>

Single-mode OS2 duplex jumper, LC-LC, UPC polishing, length 2 m



FOC-LC:PA-ST:PA-OS2:D01/1 - FO patch cable

1115596

<https://www.phoenixcontact.com/gb/products/1115596>

Single-mode OS2 duplex jumper, LC-ST, UPC polishing, length 1 m



FL SWITCH 2304-2GC-2SFP - Industrial Ethernet Switch



2702653

<https://www.phoenixcontact.com/gb/products/2702653>

FOC-LC:PA-ST:PA-OS2:D01/2 - FO patch cable

1115595

<https://www.phoenixcontact.com/gb/products/1115595>

Single-mode OS2 duplex jumper, LC-ST, UPC polishing, length 2 m



FOC-LC:PA-SC:PA-OS2:D01/1 - FO patch cable

1115618

<https://www.phoenixcontact.com/gb/products/1115618>

Single-mode OS2 duplex jumper, LC-SC, UPC polishing, length 1 m



FL SWITCH 2304-2GC-2SFP - Industrial Ethernet Switch



2702653

<https://www.phoenixcontact.com/gb/products/2702653>

FOC-LC:PA-SC:PA-OS2:D01/2 - FO patch cable

1115617

<https://www.phoenixcontact.com/gb/products/1115617>

Single-mode OS2 duplex jumper, LC-SC, UPC polishing, length 2 m



VS-08-RJ45-5-Q/IP20 - RJ45 connector

1656725

<https://www.phoenixcontact.com/gb/products/1656725>



RJ45 connector, design: RJ45, degree of protection: IP20, number of positions: 8, 1 Gbps, CAT5, material: Plastic, connection method: Insulation displacement connection, connection cross section: AWG 26- 23, cable outlet: straight, color: traffic grey A RAL 7042, Ethernet

Phoenix Contact 2023 © - all rights reserved
<https://www.phoenixcontact.com>

PHOENIX CONTACT Ltd
Halesfield 13, Telford
Shropshire, TF7 4PG
01952 681700
info@phoenixcontact.co.uk