

# FL WLAN 1010 - Wireless module



2702899

<https://www.phoenixcontact.com/gb/products/2702899>

Please be informed that the data shown in this PDF document is generated from our online catalog. Please find the complete data in the user documentation. Our general terms of use for downloads are valid.



WLAN access point, client with 2 external antenna connections (RSMA-F), IP20, temperature range :0 °C ... +60 °C, WLAN 802.11 a, b, g, n, frequency: 2.4 GHz, 5 GHz, connections: COMBICON 9 V DC ... 32 V DC, RJ45: for LAN, web, http/https, CLI, REST API

## Commercial data

Item number	2702899
Packing unit	1 pc
Minimum order quantity	1 pc
Sales key	DNN2W4
Product key	DNN2W4
GTIN	4055626457895
Weight per piece (including packing)	253.77 g
Weight per piece (excluding packing)	248.3 g
Customs tariff number	85176200
Country of origin	DE

## Technical data

### Product properties

Product type	Wireless module
Application	Ethernet
Type	Stand-Alone

### Insulation characteristics

Pollution degree	2
------------------	---

### Wireless card

Number	1
Type	IEEE 802.11 a/b/g/n 2.4 GHz and 5 GHz to 300 Mbps
Assembly instructions	Permanently installed

### Electrical properties

Maximum power dissipation for nominal condition	3.6 W
---	-------

### Supply: Module electronics

Connection technology	COMBICON
Connection method	Push-in spring connection
Note on the connection method	Recommended conductor cross section: 0.75 mm <sup>2</sup>
	Recommended ferrule: connection length 10 mm
	Recommended crimping pliers: trapezoidal or square
Designation	1128752 FMC 1,5/ 3-ST-3,5-RF GY35BD1-3
Number of positions	3
Cross section range AWG	24 ... 16 (Use copper wires rated 75° C (UL))
Supply voltage	24 V DC (SELV)
Supply voltage range	9 V DC ... 32 V DC (PELV/SELV)
Supply current	typ. 150 mA (at 24 V DC)
Current consumption	max. 550 mA (at 9 V DC)

### Connection data

#### 1128752 FMC 1,5/ 3-ST-3,5-RF GY35BD1-3

Connection method	Push-in spring connection
Conductor cross section, rigid	0.2 mm <sup>2</sup> ... 1.5 mm <sup>2</sup>
Conductor cross section, flexible	0.2 mm <sup>2</sup> ... 1.5 mm <sup>2</sup>
Conductor cross section AWG	24 ... 16
Stripping length	10 mm

### Interfaces

#### Antenna

Number	2
--------	---

# FL WLAN 1010 - Wireless module



2702899

<https://www.phoenixcontact.com/gb/products/2702899>

## Functions

Configuration	Web-based management, automated CLI
Quality of service (QoS)	Yes
Security	802.11i
	WPA PSK (preshared key)
	WPA2
	AES
	TKIP
	MAC filter
	Supports 802.1X/RADIUS
Wireless licenses	EU, more countries in e-shop
Country support	Belgium
	Bulgaria
	Denmark
	Germany
	Estonia
	Finland
	France
	Greece
	Great Britain
	Ireland
	Italy
	Latvia
	Liechtenstein
	Lithuania
	Luxembourg
	Malta
	Netherlands
	Norway
	Austria
	Poland
	Portugal
	Romania
Sweden	
Switzerland	
Slovakia	
Slovenia	
Spain	
Czech Republic	
Hungary	
Cyprus (rep.)	
China	
Japan	

# FL WLAN 1010 - Wireless module



2702899

<https://www.phoenixcontact.com/gb/products/2702899>

	South Korea
	Russia

## Ethernet (RJ45)

Number of interfaces	1
Connection method	RJ45
Note on the connection method	Auto negotiation and autocrossing
Transmission speed	10/100 Mbps
Transmission physics	Copper
Transmission length	100 m (per segment)
No. of channels	1 (RJ45 ports)

## Wireless

Designation	Wireless LAN
Antenna connection method	RSMA (female)
Frequency band	2.4 GHz 5 GHz
Wireless standard	WLAN IEEE 802.11 a b g n
Transmission power	max. 19 dBm (with two antennas)
Number of wireless interfaces	1 IEEE 802.11 a/b/g/n
Wireless modules that can be connected	10 (In Access Point mode max. 2 SSIDs)

## Dimensions

Dimensional drawing	
Width	63 mm
Height	26 mm
Depth	113 mm
Note on dimensions	Installed dimensions without connector

## Material specifications

Material base plate	Die-cast zinc, nickel-plated
Housing material	Polycarbonate, PC

## Environmental and real-life conditions

### Ambient conditions

Degree of protection	IP20
Ambient temperature (operation)	0 °C ... 60 °C
Air pressure (operation)	800 hPa ... 1080 hPa (up to 2000 m above sea level)
Air pressure (storage/transport)	660 hPa ... 1080 hPa (up to 3500 m above sea level)
Ambient temperature (storage/transport)	-40 °C ... 85 °C
Permissible humidity (operation)	5 % ... 95 % (non-condensing)
Permissible humidity (storage/transport)	5 % ... 95 % (non-condensing)

## Approvals

### CE

Certificate	CE-compliant
-------------	--------------

### Wireless approval, Europe

Note	RED 2014/53/EU
------	----------------

## EMC data

### Electrostatic discharge

Standards/regulations	EN 61000-4-2
-----------------------	--------------

### Electrostatic discharge

Contact discharge	± 6 kV
Discharge in air	± 8 kV
Indirect discharge	± 6 kV

### Electromagnetic HF field

Standards/regulations	EN 61000-4-3
-----------------------	--------------

### Electromagnetic HF field

Frequency range	80 MHz ... 1000 MHz
Test field strength	10 V/m
Frequency range	1000 MHz ... 6000 MHz
Test field strength	3 V/m

### Fast transients (burst)

Standards/regulations	EN 61000-4-4
-----------------------	--------------

### Fast transients (burst)

Comments	±2.2 kV
----------	---------

### Surge current load (surge)

Standards/regulations	EN 61000-4-5
-----------------------	--------------

### Surge current load (surge)

Signal	± 0.5 kV (symmetrical)
--------	------------------------

# FL WLAN 1010 - Wireless module



2702899

<https://www.phoenixcontact.com/gb/products/2702899>

	± 1 kV (asymmetrical)
--	-----------------------

## Conducted interference

Standards/regulations	EN 61000-4-6
-----------------------	--------------

## Conducted interference

Frequency range	0.15 MHz ... 80 MHz
Voltage	10 V

## Emitted interference

Standards/regulations	EN 55022
Test result	Class B

## Mounting

Mounting type	Wall mounting, optional DIN rail adapter
Assembly instructions	Antennas not included in scope of supply

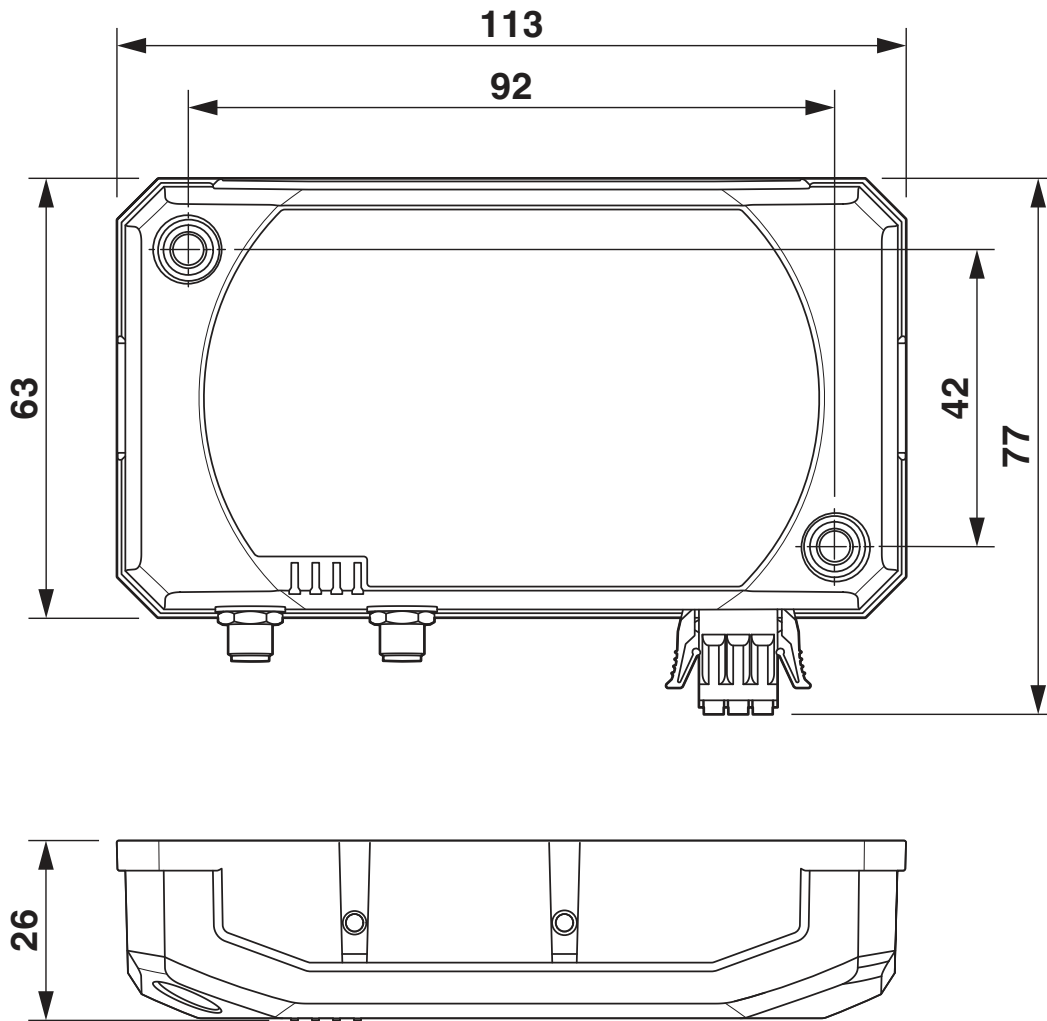
# FL WLAN 1010 - Wireless module

2702899

<https://www.phoenixcontact.com/gb/products/2702899>

## Drawings

Dimensional drawing



# FL WLAN 1010 - Wireless module



2702899

<https://www.phoenixcontact.com/gb/products/2702899>

## Approvals

To download certificates, visit the product detail page: <https://www.phoenixcontact.com/gb/products/2702899>



**EAC**

Approval ID: RU\*-DE.\*.B.00741/19



**KC**

Approval ID: R-R-PCK-2035241270



**cULus Listed**

Approval ID: E238705



**MIC**

Approval ID: 007-AF0223



# FL WLAN 1010 - Wireless module



2702899

<https://www.phoenixcontact.com/gb/products/2702899>

## Classifications

### ECLASS

ECLASS-11.0	19170501
ECLASS-12.0	19170501
ECLASS-13.0	19170501

### ETIM

ETIM 9.0	EC000816
----------	----------

### UNSPSC

UNSPSC 21.0	43222600
-------------	----------

2702899

<https://www.phoenixcontact.com/gb/products/2702899>

## Environmental product compliance

### EU RoHS

Fulfills EU RoHS substance requirements	Yes
Exemption	6(c), 7(a), 7(c)-I

### China RoHS

Environment friendly use period (EFUP)	EFUP-50
	An article-related China RoHS declaration table can be found in the download area for the respective article under "Manufacturer declaration". For all articles with EFUP-E, no China RoHS declaration table issued and required.

### EU REACH SVHC

REACH candidate substance (CAS No.)	Lead(CAS: 7439-92-1)
SCIP	2aec339b-732a-4b8f-8cfb-85b1107b1c01

# FL WLAN 1010 - Wireless module

2702899

<https://www.phoenixcontact.com/gb/products/2702899>



## Accessories

### FL RMS 20 - DIN rail adapter

1178237

<https://www.phoenixcontact.com/gb/products/1178237>

DIN rail adapter for screwing on switching devices



---

### ANT-OMNI-2459-04 - Antenna

1284780

<https://www.phoenixcontact.com/gb/products/1284780>

Multiband omnidirectional antenna for freely mobile applications, compact design, frequency band: 2.4 GHz / 5 GHz / 6 GHz, gain: 2.0 dBi / 2.5 dBi / 3.0 dBi, degree of protection: IP68/IP69K, shock- and vibration-resistant, connection: N (male)



# FL WLAN 1010 - Wireless module

2702899

<https://www.phoenixcontact.com/gb/products/2702899>



## ANT-OMNI-2459-02 - Antenna

2701408

<https://www.phoenixcontact.com/gb/products/2701408>



Omnidirectional antenna for control cabinet mounting, frequency band: 2.4 GHz / 5 GHz, gain: 2.5 dBi / 5 dBi, degree of protection: IP68, connection: N (male)

---

## RAD-ISM-2400-ANT-OMNI-2-1-RSMA - Antenna

2701362

<https://www.phoenixcontact.com/gb/products/2701362>



Omnidirectional antenna for wall mounting, frequency band: 2.4 GHz, gain: 2 dBi, degree of protection: IP65, connection: RSMA (male), incl. 1.5 m connecting cable, mounting bracket, and mounting material

# FL WLAN 1010 - Wireless module

2702899

<https://www.phoenixcontact.com/gb/products/2702899>

## RAD-ISM-2400-ANT-VAN-3-0-RSMA - Antenna

2701358

<https://www.phoenixcontact.com/gb/products/2701358>



Omnidirectional antenna with protection against vandalism for control cabinet mounting, frequency band: 2.4 GHz, gain: 3 dBi, degree of protection: IP55, shockproof: IK08, connection: RSMA (male), incl. 1.5 m connecting cable

---

## RAD-ISM-2459-ANT-FOOD-6-0-N - Antenna

2702898

<https://www.phoenixcontact.com/gb/products/2702898>



Multiband omnidirectional antenna with protection against vandalism for control cabinet mounting, frequency band: 2.4 GHz / 5 GHz / 6 GHz, gain: 6 dBi / 8 dBi / 8 dBi, degree of protection: IP68, shockproof: IK08, resistant to cleaning agents, shock- and vibration-resistant, connection: N (female)

# FL WLAN 1010 - Wireless module

2702899

<https://www.phoenixcontact.com/gb/products/2702899>



## RAD-ISM-2400-ANT-OMNI-6-0 - Antenna

2885919

<https://www.phoenixcontact.com/gb/products/2885919>

Omnidirectional antenna for wall or mast mounting, 2.4 GHz, gain: 6 dBi, degree of protection: IP67, saltwater-resistant, shock- and vibration-resistant, connection: N (female), incl. mounting bracket and mast clamps, ATEX and IECEx approval



---

## ANT-OMNI-5900-01 - Antenna

2701347

<https://www.phoenixcontact.com/gb/products/2701347>

Omnidirectional antenna for wall or mast mounting, 5 GHz, gain: 5 dBi, degree of protection: IP64, saltwater-resistant, shock- and vibration-resistant, connection: N (female), incl. mounting bracket and mast clamps



# FL WLAN 1010 - Wireless module

2702899

<https://www.phoenixcontact.com/gb/products/2702899>



## ANT-DIR-2459-01 - Antenna

2701186

<https://www.phoenixcontact.com/gb/products/2701186>

Directional antenna for wall or mast mounting, 2.4 GHz / 5 GHz, gain: 9 dBi, degree of protection: IP67, shockproof: IK06, saltwater-resistant, connection: N (female), incl. mounting bracket and mast clamps, ATEX and IECEx approval



---

## RAD-PIG-EF316-N-RSMA - Antenna cable

2701402

<https://www.phoenixcontact.com/gb/products/2701402>

Antenna cable for control cabinet feed-through, outside diameter: 3.2 mm (0.126 in.), inner conductor: stranded, attenuation: 0.6 / 0.9 / 1.4 dB at 0.9 / 2.4 / 5.8 GHz, connection: N (female) -> RSMA (male), cable length: 0.5 m (1.6 ft.)



# FL WLAN 1010 - Wireless module

2702899

<https://www.phoenixcontact.com/gb/products/2702899>



## RAD-PIG-RSMA/N-0.5 - Antenna cable

2903263

<https://www.phoenixcontact.com/gb/products/2903263>



Antenna cable, outside diameter: 5 mm (0.2 in.), inner conductor: solid, attenuation: 0.4 / 0.5 / 0.6 dB at 0.9 / 2.4 / 5.8 GHz, connection: N (male) -> RSMA (male), cable length: 0.5 m (1.6 ft.)

---

## RAD-PIG-RSMA/N-1 - Antenna cable

2903264

<https://www.phoenixcontact.com/gb/products/2903264>



Antenna cable, outside diameter: 5 mm (0.2 in.), inner conductor: solid, attenuation: 0.5 / 0.8 / 1.1 dB at 0.9 / 2.4 / 5.8 GHz, connection: N (male) -> RSMA (male), cable length: 1 m (3.3 ft.)



# FL WLAN 1010 - Wireless module

2702899

<https://www.phoenixcontact.com/gb/products/2702899>



## RAD-PIG-RSMA/N-2 - Antenna cable

2903265

<https://www.phoenixcontact.com/gb/products/2903265>



Antenna cable, outside diameter: 5 mm (0.2 in.), inner conductor: solid, attenuation: 0.9 / 1.3 / 2.0 dB at 0.9 / 2.4 / 5.8 GHz, connection: N (male) -> RSMA (male), cable length: 2 m (6.5 ft.)

---

## RAD-PIG-RSMA/N-3 - Antenna cable

2903266

<https://www.phoenixcontact.com/gb/products/2903266>



Antenna cable, outside diameter: 5 mm (0.2 in.), inner conductor: solid, attenuation: 1.2 / 2.0 / 3.0 dB at 0.9 / 2.4 / 5.8 GHz, connection: N (male) -> RSMA (male), cable length: 3 m (10 ft.)

# FL WLAN 1010 - Wireless module

2702899

<https://www.phoenixcontact.com/gb/products/2702899>



## RAD-PIG-RSMA/N-5 - Antenna cable

2702140

<https://www.phoenixcontact.com/gb/products/2702140>

Antenna cable, outside diameter: 5 mm (0.2 in.), inner conductor: solid, attenuation: 2.0 / 3.3 / 4.8 dB at 0.9 / 2.4 / 5.8 GHz, connection: N (male) -> RSMA (male), cable length: 5 m (16 ft.)



## RAD-ADP-N/F-N/F - Adapter

2867843

<https://www.phoenixcontact.com/gb/products/2867843>

Antenna adapter for control cabinet feed-through, frequency range: 0.3 GHz ... 6 GHz, degree of protection: IP65, connection: 2 x N (female)



Phoenix Contact 2024 © - all rights reserved  
<https://www.phoenixcontact.com>

PHOENIX CONTACT Ltd  
Halesfield 13, Telford  
Shropshire, TF7 4PG  
01952 681700  
[info@phoenixcontact.co.uk](mailto:info@phoenixcontact.co.uk)