

FL MC EF 660 SCRJ - FO converters



2702944

<https://www.phoenixcontact.com/gb/products/2702944>

Please be informed that the data shown in this PDF document is generated from our online catalog. Please find the complete data in the user documentation. Our general terms of use for downloads are valid.



FO converter, for converting 100Base-T to polymer and PCF fiber (660 nm), SC-RJ FO connection (PROFINET standard), can be mounted on a DIN rail, 24 V DC supply

Product description

Optical transmission with FO technology provides superior immunity to interference at maximum transmission ranges without restricting the transmission bandwidth. You can therefore replace wear-sensitive and maintenance-intensive connections and reduce downtimes in your systems.

Your advantages

- Link fault pass through (LFPT) function for easy connection monitoring
- Very low delay times
- Mounting on a DIN rail
- Backplane bus contact, enabling alternative or redundant 24 V power supply

Commercial data

Item number	2702944
Packing unit	1 pc
Minimum order quantity	1 pc
Sales key	DNC311
Product key	DNC311
Catalog page	Page 351 (C-6-2019)
GTIN	4055626431260
Weight per piece (including packing)	172.7 g
Weight per piece (excluding packing)	172.7 g
Customs tariff number	85176200
Country of origin	DE

Technical data

Product properties

Product type	Media converter
MTTF	929 Years (SN 29500 standard, temperature 25°C, operating cycle 21%)
	461 Years (SN 29500 standard, temperature 40°C, operating cycle 34.25%)
	204 Years (SN 29500 standard, temperature 40°C, operating cycle 100%)

Electrical properties

Electrical isolation	VCC // Ethernet
Maximum power dissipation for nominal condition	2.4 W
Test voltage data interface/power supply	1.5 kV _{rms} (50 Hz, 1 min.)
	1500 V

Supply

Supply voltage range	18 V DC ... 32 V DC (via pluggable COMBICON screw terminal block)
	18 V DC ... 32 V DC (as an alternative or redundant, via backplane bus contact and system current supply)
Typical current consumption	≤ 85 mA (24 V DC)
Max. current consumption	100 mA (24 V DC)
Protective circuit	Reverse polarity protection
Connection method	Plug-in screw terminal block (COMBICON), redundancy possible

Output data

Switching

Output name	Relay output
Number of outputs	2
Contact switching type	N/O contact
Maximum switching voltage	60 V AC/DC
Max. switching current	1 A

Connection data

Supply

Connection method	Plug-in screw terminal block (COMBICON), redundancy possible
Tightening torque	0.56 Nm ... 0.79 Nm

Interfaces

Signal	Ethernet
	PROFINET

Data: optical FO

FL MC EF 660 SCRJ - FO converters



2702944

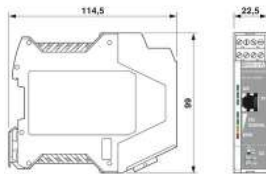
<https://www.phoenixcontact.com/gb/products/2702944>

Transmit capacity, minimum	min. -8 dBm (980/1000 μ m, static)
	min. -19 dBm (200/230 μ m, static)
Transmit capacity, maximum	max. -2 dBm (980/1000 μ m, static)
	max. -11 dBm (200/230 μ m, static)
Transmission length incl. 3 dB system reserve	50 m (Polymer fiber with F-P 980/1000 230 dB/km)
	100 m (PCF fiber with F-K 200/230 8 dB/km)
Connection method	SC-RJ
Wavelength	660 nm
Minimum receiver sensitivity	-23 dBm (980/1000 μ m, static)
	-26.8 dBm (200/230 μ m, static)
Transmission medium	Polymer fiber
	PCF fiber

Data: Ethernet interface, 100Base-T(X) in accordance with IEEE 802.3

Transmission speed	100 Mbps
Connection method	RJ45 jack, shielded
No. of channels	1
Transmission length	100 m (shielded twisted pair)
Transmission medium	Copper
Link through	Link fault pass through

Dimensions

Dimensional drawing	
Width	22.5 mm
Height	99 mm
Depth	114.5 mm

Material specifications

Material	PA V0
----------	-------

Cable/line

FO cable

Fiber types	980/1000 μ m
	200/230 μ m
	Polymer fiber
	PCF fiber

Environmental and real-life conditions

Ambient conditions

FL MC EF 660 SCRJ - FO converters



2702944

<https://www.phoenixcontact.com/gb/products/2702944>

Degree of protection	IP20
Ambient temperature (operation)	-40 °C ... 60 °C
Ambient temperature (storage/transport)	-40 °C ... 70 °C
Altitude	≤ 5000 m (For restrictions, see the manufacturer's declaration for altitude operation)
Permissible humidity (operation)	10 % ... 95 % (non-condensing)

Approvals

CE

Certificate	CE-compliant
-------------	--------------

Corrosive gas test

Identification	ISA-S71.04-1985 G3 Harsh Group A
----------------	----------------------------------

EMC data

Electromagnetic compatibility	Conformance with EMC Directive 2014/30/EU
Conducted noise emission	EN 61000-6-3 Class B, domain of use: residential and small commercial

Electrostatic discharge

Standards/regulations	EN 61000-4-2
-----------------------	--------------

Electrostatic discharge

Contact discharge	± 6 kV (Test Level 3)
Discharge in air	± 8 kV (Test Level 3)
Indirect discharge	± 6 kV
Comments	Criterion B

Electromagnetic HF field

Standards/regulations	EN 61000-4-3
-----------------------	--------------

Electromagnetic HF field

Frequency range	80 MHz ... 3 GHz (Test Level 3)
Field intensity	10 V/m
Comments	Criterion A

Fast transients (burst)

Standards/regulations	EN 61000-4-4
-----------------------	--------------

Fast transients (burst)

Input	± 2.2 kV (1 minute)
Signal	± 2.2 kV (1 minute)
Comments	Criterion B

Surge current load (surge)

Standards/regulations	EN 61000-4-5
-----------------------	--------------

Surge current load (surge)

FL MC EF 660 SCRJ - FO converters



2702944

<https://www.phoenixcontact.com/gb/products/2702944>

Input	± 0.5 kV (Supply)
Signal	± 1 kV (Shielded cable)
Comments	Criterion B

Conducted interference

Standards/regulations	EN 61000-4-6
-----------------------	--------------

Conducted interference

Frequency range	0.15 MHz ... 80 MHz
Comments	Criterion A
Voltage	10 V

Emitted interference

Standards/regulations	EN 61000-6-4
Comments	Class A, industrial applications

Criteria

Criterion A	Normal operating behavior within the specified limits.
Criterion B	Temporary impairment to operational behavior that is corrected by the device itself.

Standards and regulations

Free from substances that could impair the application of coating	in accordance with VW-AUDI-Seat central standard P-VW 3.10.7 57 65 0
---	--

Mounting

Mounting type	DIN rail mounting
---------------	-------------------

FL MC EF 660 SCRJ - FO converters

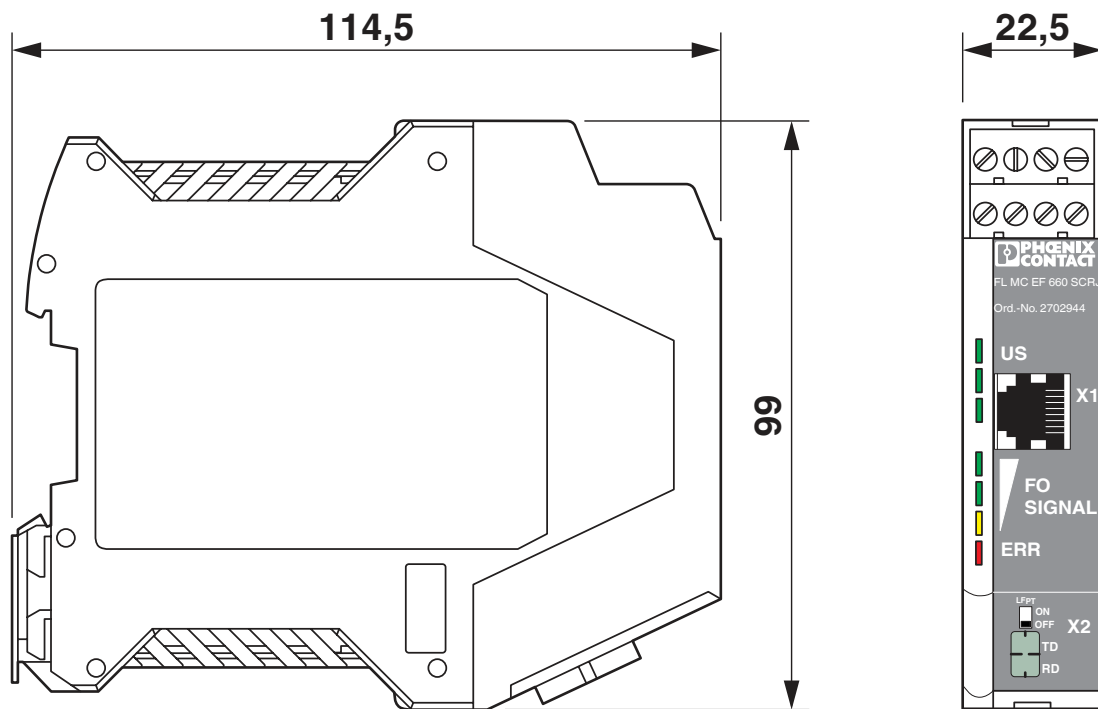
2702944

<https://www.phoenixcontact.com/gb/products/2702944>



Drawings

Dimensional drawing



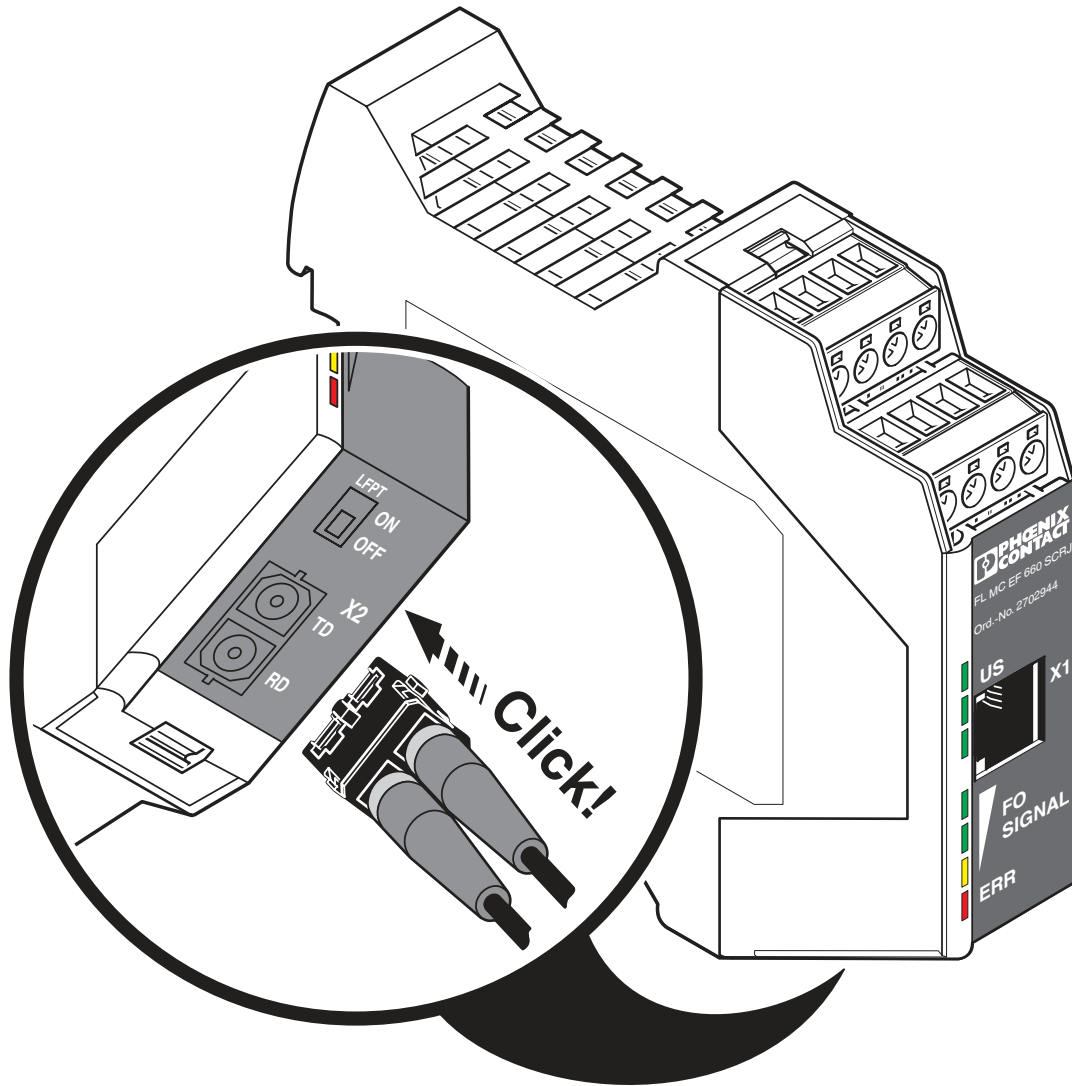
Slim design

FL MC EF 660 SCRJ - FO converters

2702944

<https://www.phoenixcontact.com/gb/products/2702944>

Schematic diagram



Connect the SC-RJ plug

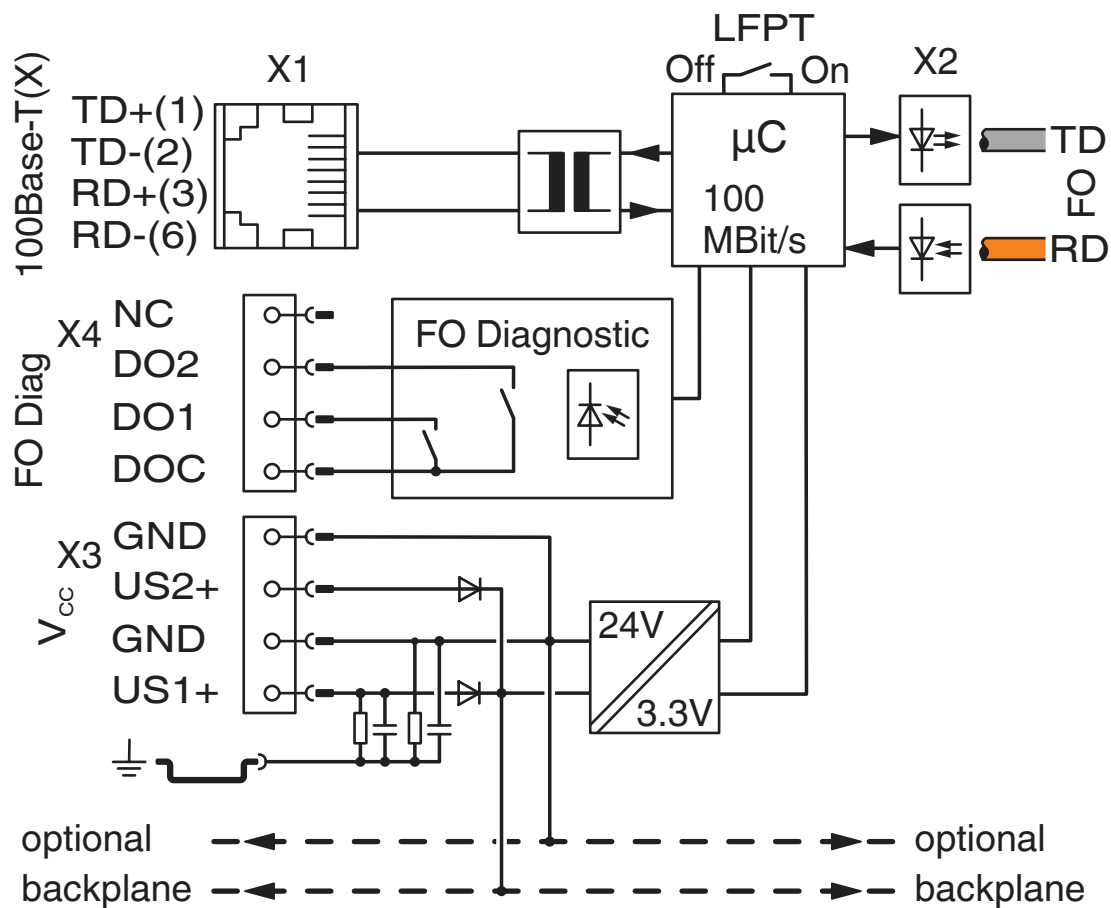
FL MC EF 660 SCRJ - FO converters



2702944

<https://www.phoenixcontact.com/gb/products/2702944>

Block diagram



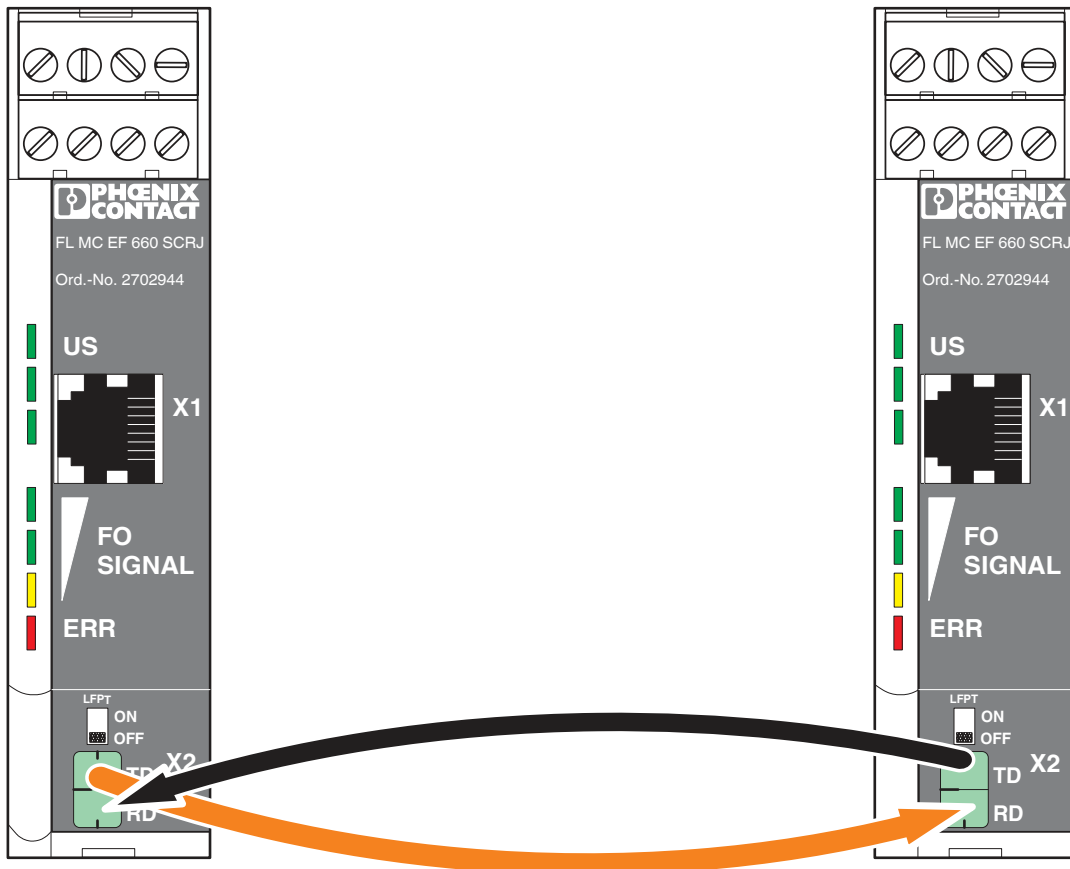
FL MC EF 660 SCRJ - FO converters



2702944

<https://www.phoenixcontact.com/gb/products/2702944>

Schematic diagram



Signal direction for the fiber connection

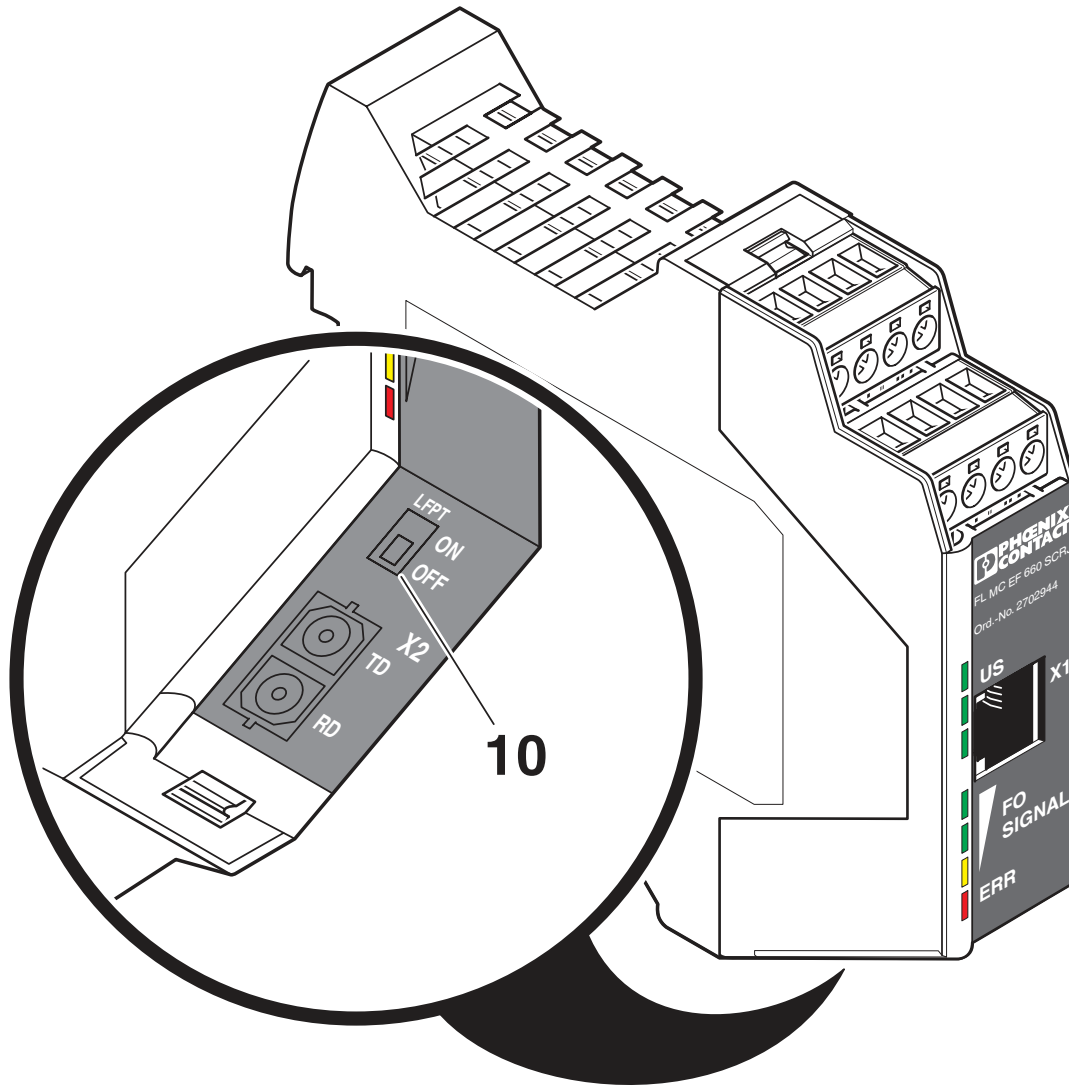
FL MC EF 660 SCRJ - FO converters



2702944

<https://www.phoenixcontact.com/gb/products/2702944>

Schematic diagram



Switch to activate LFPT

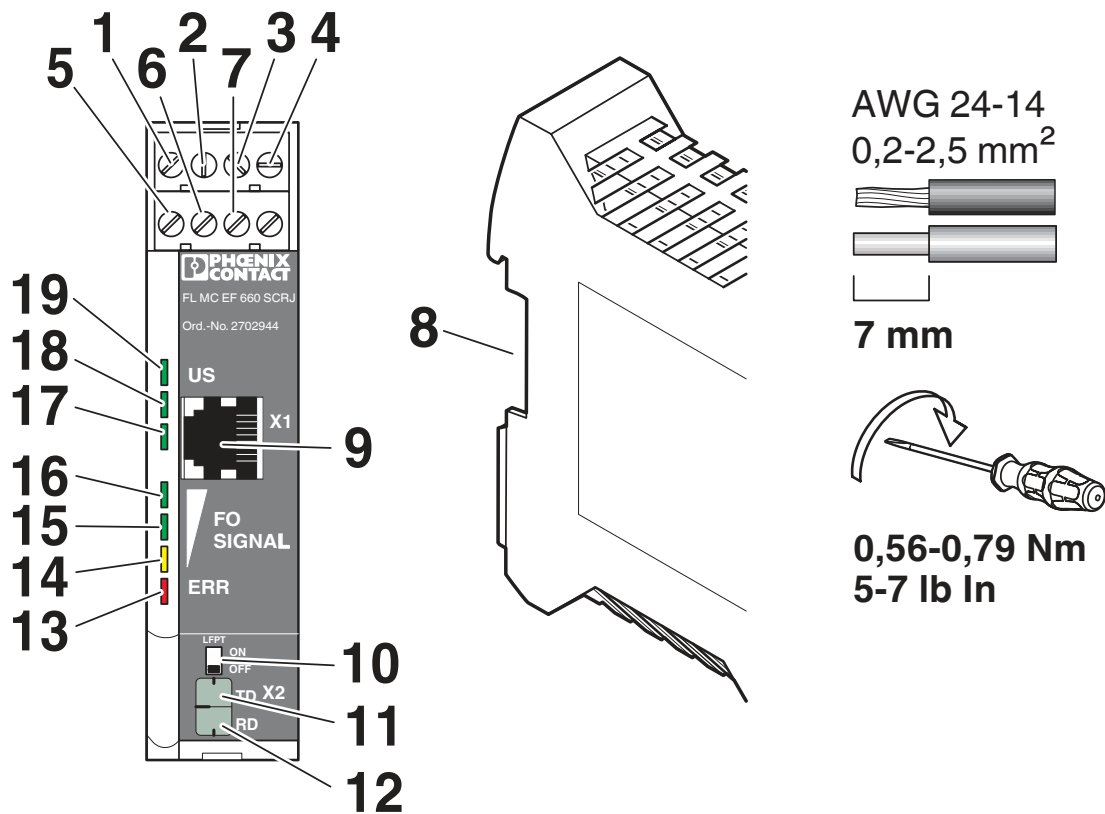
FL MC EF 660 SCRJ - FO converters



2702944

<https://www.phoenixcontact.com/gb/products/2702944>

Schematic diagram



Function elements

FL MC EF 660 SCRJ - FO converters



2702944

<https://www.phoenixcontact.com/gb/products/2702944>

Classifications

ECLASS

ECLASS-11.0	19170411
ECLASS-12.0	19170411
ECLASS-13.0	19170411

ETIM

ETIM 8.0	EC001467
----------	----------

UNSPSC

UNSPSC 21.0	43201500
-------------	----------

FL MC EF 660 SCRJ - FO converters



2702944

<https://www.phoenixcontact.com/gb/products/2702944>

Environmental product compliance

REACH SVHC	Lead 7439-92-1
China RoHS	Environmentally Friendly Use Period = 50 years
	For information on hazardous substances, refer to the manufacturer's declaration available under "Downloads"

FL MC EF 660 SCRJ - FO converters

2702944

<https://www.phoenixcontact.com/gb/products/2702944>

Accessories

FL PLUG RJ45 GR/2 - RJ45 connector

2744856

<https://www.phoenixcontact.com/gb/products/2744856>



RJ45 connector, design: RJ45, degree of protection: IP20, number of positions: 8, 1 Gbps, CAT5 (IEC 11801:2002), material: Plastic, connection method: Crimp connection, connection cross section: AWG 26- 24, cable outlet: straight, color: green, Ethernet

FL PLUG RJ45 GN/2 - RJ45 connector

2744571

<https://www.phoenixcontact.com/gb/products/2744571>



RJ45 connector, design: RJ45, degree of protection: IP20, number of positions: 8, 1 Gbps, CAT5 (IEC 11801:2002), material: Plastic, connection method: Crimp connection, connection cross section: AWG 26- 24, cable outlet: straight, color: green, Ethernet

FL MC EF 660 SCRJ - FO converters

2702944

<https://www.phoenixcontact.com/gb/products/2702944>



FL CAT5 HEAVY - Data cable

2744814

<https://www.phoenixcontact.com/gb/products/2744814>



CAT5-SF/UTP cable (J-02YS(ST)C HP 2 x 2 x 24 AWG), heavy-duty installation cable, 2 x 2 x 0.22 mm², solid conductor, shielded, outer sheath: 7.8 mm diameter, inner sheath: 5.75 mm ± 0.15 mm diameter

FL CAT5 FLEX - Installation cable

2744830

<https://www.phoenixcontact.com/gb/products/2744830>



By the meter, Installation cable, Ethernet CAT5 (100 Mbps), shielded, PUR halogen-free, water blue RAL 5021, 4-wire (2x2xAWG26/7, SF/UTP), color single wire: white/orange-orange, white/green-green, cable length: Free entry (1.0 ... 1000.0 m)

FL MC EF 660 SCRJ - FO converters

2702944

<https://www.phoenixcontact.com/gb/products/2702944>



FL CRIMPTOOL - Assembly tool

2744869

<https://www.phoenixcontact.com/gb/products/2744869>

Crimping pliers, for assembling the RJ45 plugs FL PLUG RJ45..., for assembly on site



PSM-SET-SCRJ-DUP/2-HCS - FO connectors

2313070

<https://www.phoenixcontact.com/gb/products/2313070>

FO connectors, degree of protection: IP20, number of positions: 2, MM, material: Plastic, connection method: Cable connection, cable outlet: straight, color: black



FL MC EF 660 SCRJ - FO converters

2702944

<https://www.phoenixcontact.com/gb/products/2702944>



PSM-SET-SCRJ-DUP/2-POF - FO connectors

2708656

<https://www.phoenixcontact.com/gb/products/2708656>

FO connectors, degree of protection: IP20, number of positions: 2, MM, material: Metal, connection method: Push-pull, cable outlet: straight



PSM-HCS-KONFTOOL/SC-RJ - Assembly tool

2708876

<https://www.phoenixcontact.com/gb/products/2708876>

HCS assembly kit for SC-RJ quick mounting connectors, including stripping blade, stripping pliers, aramide yarn scissors, fiber stripper, microscope, fiber cleaving tool for standard HCS and HCS GI fibers, two SC-RJ connectors for standard HCS fiber, and documentation



FL MC EF 660 SCRJ - FO converters

2702944

<https://www.phoenixcontact.com/gb/products/2702944>



VS-SCRJ-POF-POLISH - FO accessories

1656673

<https://www.phoenixcontact.com/gb/products/1656673>

Refilling set for VS-SC-RJ-POF-KONFTOOL-POLISH, consisting of two polishing discs and a polisher



PSM-LWL-KDHEAVY-980/1000 - FO cable

2744319

<https://www.phoenixcontact.com/gb/products/2744319>



Polymer fiber cable, duplex 980 μm /1000 μm , medium-weight version for installation in stationary systems and machines, by the meter without male connector

FL MC EF 660 SCRJ - FO converters

2702944

<https://www.phoenixcontact.com/gb/products/2702944>

PSM-LWL-HCS-RUGGED-200/230 - FO cable

2799885

<https://www.phoenixcontact.com/gb/products/2799885>



PCF cable, duplex 200 μm /230 μm , by the meter without male connector, for installation in stationary systems and machines

PSM-LWL-RUGGED-980/1000 - FO cable

2744322

<https://www.phoenixcontact.com/gb/products/2744322>



Polymer fiber cable, duplex 980 μm /1000 μm , heavy-weight version for installation in stationary systems and machines, by the meter without male connector

FL MC EF 660 SCRJ - FO converters

2702944

<https://www.phoenixcontact.com/gb/products/2702944>

PSM-LWL-RUGGED-FLEX-980/1000 - FO cable

2744335

<https://www.phoenixcontact.com/gb/products/2744335>



Polymer fiber cable, duplex 980/1000 μm , heavy-weight, highly flexible version for flexible conduit applications, by the meter, without connector

PSM-LWL-HCSO-200/230 - FO cable

2799445

<https://www.phoenixcontact.com/gb/products/2799445>



PCF cable, duplex 200/230 μm , by the meter, without connector, for outdoor installation

FL MC EF 660 SCRJ - FO converters

2702944

<https://www.phoenixcontact.com/gb/products/2702944>

FL FOC PN-B-980/1000 - FO cable

2313397

<https://www.phoenixcontact.com/gb/products/2313397>



PROFINET polymer fiber cable, duplex 980 μm /1000 μm , heavy-weight design, for installation in stationary systems and machines, by the meter, without male connector

FL FOC PN-C-FLEX-980/1000 - FO cable

2313407

<https://www.phoenixcontact.com/gb/products/2313407>



PROFINET polymer fiber cable, duplex, 980/1000 μm , heavy-weight highly flexible design, for flexible cable conduit applications, by the meter, without connector

FL MC EF 660 SCRJ - FO converters

2702944

<https://www.phoenixcontact.com/gb/products/2702944>



ME 22,5 TBUS 1,5/ 5-ST-3,81 GN - DIN rail bus connectors

2707437

<https://www.phoenixcontact.com/gb/products/2707437>



DIN rail connector, color: green, nominal current: 8 A (parallel contacts), rated voltage (III/2): 125 V, number of positions: 5, pitch: 3.81 mm, mounting: DIN rail mounting, locking: without, mounting: without, type of packaging: packed in cardboard, Item with gold-plated contacts, bus connectors for connecting with electronics housings, 5 parallel contacts

QUINT4-SYS-PS/1AC/24DC/2.5/SC - Power supply unit

2904614

<https://www.phoenixcontact.com/gb/products/2904614>



Primary-switched power supply, QUINT POWER, screw connection, DIN rail mounting, supply of devices possible via the TBUS DIN rail connector, protective coating, input: single-phase, output: 24 V DC/2.5 A

FL MC EF 660 SCRJ - FO converters

2702944

<https://www.phoenixcontact.com/gb/products/2702944>



ME 17,5 TBUS 1,5/ 5-ST-3,81 KMGY - DIN rail bus connectors

2713645

<https://www.phoenixcontact.com/gb/products/2713645>



DIN rail connector, color: light grey, nominal current: 8 A (parallel contacts), rated voltage (III/2): 125 V, number of positions: 5, pitch: 3.81 mm, mounting: DIN rail mounting, locking: without, mounting: without, type of packaging: packed in cardboard, Item with gold-plated contacts, bus connectors for connecting with electronics housings, 5 parallel contacts

PSM-POF-KONFTOOL - Assembly tool

2744131

<https://www.phoenixcontact.com/gb/products/2744131>



Polymer fiber DIY case, consisting of: Stripping knife, stripping pliers, polishing wheels for F-SMA and SC-RJ quick mounting connectors, polishing pad and emery paper

FL MC EF 660 SCRJ - FO converters

2702944

<https://www.phoenixcontact.com/gb/products/2702944>

VS-08-RJ45-5-Q/IP20 - RJ45 connector

1656725

<https://www.phoenixcontact.com/gb/products/1656725>



RJ45 connector, design: RJ45, degree of protection: IP20, number of positions: 8, 1 Gbps, CAT5, material: Plastic, connection method: Insulation displacement connection, connection cross section: AWG 26- 23, cable outlet: straight, color: traffic grey A RAL 7042, Ethernet

VS-08-RJ45-5-Q/IP20 BK - RJ45 connector

1658008

<https://www.phoenixcontact.com/gb/products/1658008>



RJ45 connector, design: RJ45, degree of protection: IP20, number of positions: 8, 1 Gbps, CAT5, material: Plastic, connection method: Insulation displacement connection, connection cross section: AWG 26- 23, cable outlet: straight, color: black, Ethernet

FL MC EF 660 SCRJ - FO converters



2702944

<https://www.phoenixcontact.com/gb/products/2702944>

VS-08-RJ45-10G/Q - RJ45 connector

1419001

<https://www.phoenixcontact.com/gb/products/1419001>



RJ45 connector, design: RJ45, degree of protection: IP20, number of positions: 8, 10 Gbps, CAT6_A, material: Plastic, connection method: Insulation displacement connection, connection cross section: AWG 26- 24, cable outlet: straight, color: black, Ethernet

FL CAT5 PATCH 0,5 - Patch cable

2832263

<https://www.phoenixcontact.com/gb/products/2832263>



Patch cable, CAT5, assembled, 0.5 m

FL MC EF 660 SCRJ - FO converters

2702944

<https://www.phoenixcontact.com/gb/products/2702944>



FL CAT5 PATCH 1,0 - Patch cable

2832276

<https://www.phoenixcontact.com/gb/products/2832276>

Patch cable, CAT5, assembled, 1 m



FL CAT5 PATCH 2,0 - Patch cable

2832289

<https://www.phoenixcontact.com/gb/products/2832289>

Patch cable, CAT5, assembled, 2 m



FL MC EF 660 SCRJ - FO converters



2702944

<https://www.phoenixcontact.com/gb/products/2702944>

NBC-R4AC-R4AC-IE8A/.../... - Patch cable

1411854

<https://www.phoenixcontact.com/gb/products/1411854>



Patch cable, degree of protection: IP20, number of positions: 8, 10 Gbps, CAT6_A, cable outlet: straight, Ethernet

NBC-R4AC/10G-R4AC/10G-94F/2,0 - Patch cable

1408360

<https://www.phoenixcontact.com/gb/products/1408360>



Patch cable, CAT6_A, 4-pair, shielded, connection not crossed (line), assembled at both ends with RJ45/IP20 connectors, outer sheath material: PUR, length: 2.0 m

FL MC EF 660 SCRJ - FO converters



2702944

<https://www.phoenixcontact.com/gb/products/2702944>

NBC-R4AC/10G-R4AC/10G-94F/3,0 - Patch cable

1408365

<https://www.phoenixcontact.com/gb/products/1408365>



Patch cable, CAT6_A, 4-pair, shielded, connection not crossed (line), assembled at both ends with RJ45/IP20 connectors, outer sheath material: PUR, length: 3.0 m

Phoenix Contact 2023 © - all rights reserved

<https://www.phoenixcontact.com>

PHOENIX CONTACT Ltd

Halesfield 13, Telford

Shropshire, TF7 4PG

01952 681700

info@phoenixcontact.co.uk