

# PSM-ME-RS232/RS232-P - Interface converter



2744461

<https://www.phoenixcontact.com/gb/products/2744461>

Please be informed that the data shown in this PDF document is generated from our online catalog. Please find the complete data in the user documentation. Our general terms of use for downloads are valid.

Interface converter, for the isolation of RS-232 (V.24) interfaces, 4 channels, rail-mountable



## Product description

A considerably higher level of immunity to interference can be achieved in industrial applications by using V.24 (RS-232) isolator modules. The high-quality 3-way isolation results in an electrically isolated and interference-proof V.24 (RS-232) interface. This decoupling also protects the expensive terminal devices against damage.

## Your advantages

- Mounting on standard EN DIN rails
- High-quality 3-way isolation up to 2 kV (VCC // RS-232 // RS-232)
- In the case of variable cable lengths, the RS-232 connection on the field side can be established conveniently using plug-in screw terminal blocks
- Integrated surge protection with transient discharge to the DIN rail
- Transmission of TxD/RxD data channels and RTS/CTS control lines
- 24 V DC or AC power supply suitable for the control cabinet
- Active data transmission indicated by separate data indicators for the transmit and receive channels
- Maximum transmission speed of 115.2 kbps
- Shipbuilding approval in accordance with DNV GL

## Commercial data

Item number	2744461
Packing unit	1 pc
Minimum order quantity	1 pc
Sales key	DNC111
Product key	DNC111
Catalog page	Page 426 (C-6-2019)
GTIN	4017918188795
Weight per piece (including packing)	184 g
Weight per piece (excluding packing)	123.18 g
Customs tariff number	85176200
Country of origin	DE

## Technical data

### Notes

#### Utilization restriction

EMC note	EMC: class A product, see manufacturer's declaration in the download area
----------	---

#### Utilization restriction

CCCex note	Use in potentially explosive areas is not permitted in China.
------------	---

### Product properties

Product type	Interface converter
Application	RS-232
MTBF	2263 Years (Telcordia standard, 25°C temperature, 21% operating cycle (5 days a week, 8 hours a day))
	438 Years (Telcordia standard, 40°C temperature, 34.25% operating cycle (5 days a week, 12 hours a day))

### Electrical properties

Electrical isolation	VCC // V.24 (RS-232) (A) // V.24 (RS-232) (B)
Maximum power dissipation for nominal condition	0.96 W
Test voltage data interface/power supply	2 kV <sub>rms</sub> (50 Hz, 1 min.)
	2 kV AC
Test voltage data interfaces	2 kV AC

#### Supply

Supply voltage range	19.2 V AC/DC ... 28.8 V AC/DC
Nominal supply voltage	24 V AC/DC ±20 %
Typical current consumption	40 mA (24 V DC)
Protective circuit	Surge protection; Suppressor diode

### Connection data

#### Supply

Tightening torque	0.56 Nm ... 0.79 Nm
-------------------	---------------------

### Interfaces

Bit distortion	< 5 %
Bit delay	< 3 μs
Signal	Modbus
Transmission channels	4 (2/2), Rx/D, Tx/D, RTS, CTS; full duplex

Data: V.24 (RS-232) interface in acc. with ITU-T V.28, EIA/TIA-232, DIN 66259-1

Serial transmission speed	115.2 kbps
Connection method	D-SUB 9 plug
Pin assignment	DTE/DCE switchover via switch

# PSM-ME-RS232/RS232-P - Interface converter



2744461

<https://www.phoenixcontact.com/gb/products/2744461>

Transmission length	15 m (shielded twisted pair)
Conductor cross section flexible max.	2.5 mm <sup>2</sup>
Conductor cross section flexible min.	0.2 mm <sup>2</sup>
Max. AWG conductor cross section, flexible	13
Min. AWG conductor cross section, flexible	24
Protocols supported	transparent protocol

Data: V.24 (RS-232) interface in acc. with ITU-T V.28, EIA/TIA-232, DIN 66259-1

Connection method	Pluggable screw connection
Transmission length	15 m (shielded twisted pair)
Conductor cross section flexible max.	2.5 mm <sup>2</sup>
Conductor cross section flexible min.	0.2 mm <sup>2</sup>
Conductor cross section AWG max.	13
Conductor cross section AWG min.	24

## Dimensions

Dimensional drawing	
Width	22.5 mm
Height	99 mm
Depth	118.6 mm

## Material specifications

Material	PA
----------	----

## Environmental and real-life conditions

### Ambient conditions

Degree of protection	IP20
Ambient temperature (operation)	0 °C ... 55 °C
Ambient temperature (storage/transport)	-40 °C ... 85 °C
Altitude	≤ 5000 m (For restrictions, see the manufacturer's declaration for altitude operation)
Permissible humidity (operation)	10 % ... 95 % (non-condensing)

## Approvals

### CE

Certificate	CE-compliant
-------------	--------------

### EAC

Identification	EAC
----------------	-----

# PSM-ME-RS232/RS232-P - Interface converter



2744461

<https://www.phoenixcontact.com/gb/products/2744461>

## UL, USA/Canada

Identification	508 Recognized
	Class I, Div. 2, Groups A, B, C, D
	Class I, Zone 2, AEx nA IIC T4
	Class I, Zone 2, Ex nA IIC T4 Gc X

## Corrosive gas test

Identification	ISA-S71.04-1985 G3 Harsh Group A
----------------	----------------------------------

## Shipbuilding

Identification	DNV GL
----------------	--------

## DNV GL data

Temperature	B
Humidity	A
Vibration	A
EMC	B
Enclosure	Required protection according to the Rules shall be provided upon installation on board

## EMC data

Noise immunity	EN 61000-6-2:2005
Electromagnetic compatibility	Conformance with EMC Directive 2014/30/EU
Noise emission	EN 61000-6-3

## Electrostatic discharge

Standards/regulations	EN 61000-4-2
-----------------------	--------------

## Electrostatic discharge

Contact discharge	± 6 kV (Test Level 3)
Discharge in air	± 8 kV (Test Level 3)
Comments	Criterion B

## Electromagnetic HF field

Standards/regulations	EN 61000-4-3
-----------------------	--------------

## Electromagnetic HF field

Frequency range	Test Level 3
Field intensity	10 V/m
Comments	Criterion A

## Fast transients (burst)

Standards/regulations	EN 61000-4-4
-----------------------	--------------

## Fast transients (burst)

Input	± 4 kV (5 kHz)
Signal	± 2 kV (5 kHz)
Comments	Criterion B

# PSM-ME-RS232/RS232-P - Interface converter



2744461

<https://www.phoenixcontact.com/gb/products/2744461>

## Surge current load (surge)

Standards/regulations	EN 61000-4-5
-----------------------	--------------

## Surge current load (surge)

Input	$\pm 0.5$ kV (2 $\Omega$ )
Signal	$\pm 2$ kV (12 $\Omega$ )
Comments	Criterion B

## Conducted interference

Standards/regulations	EN 61000-4-6
-----------------------	--------------

## Conducted interference

Comments	Criterion A
Voltage	10 V

## Emitted interference

Standards/regulations	EN 55011
Comments	Class A, industrial applications

## Criteria

Criterion A	Normal operating behavior within the specified limits.
Criterion B	Temporary impairment to operational behavior that is corrected by the device itself.

## Mounting

Mounting type	DIN rail mounting
---------------	-------------------

# PSM-ME-RS232/RS232-P - Interface converter

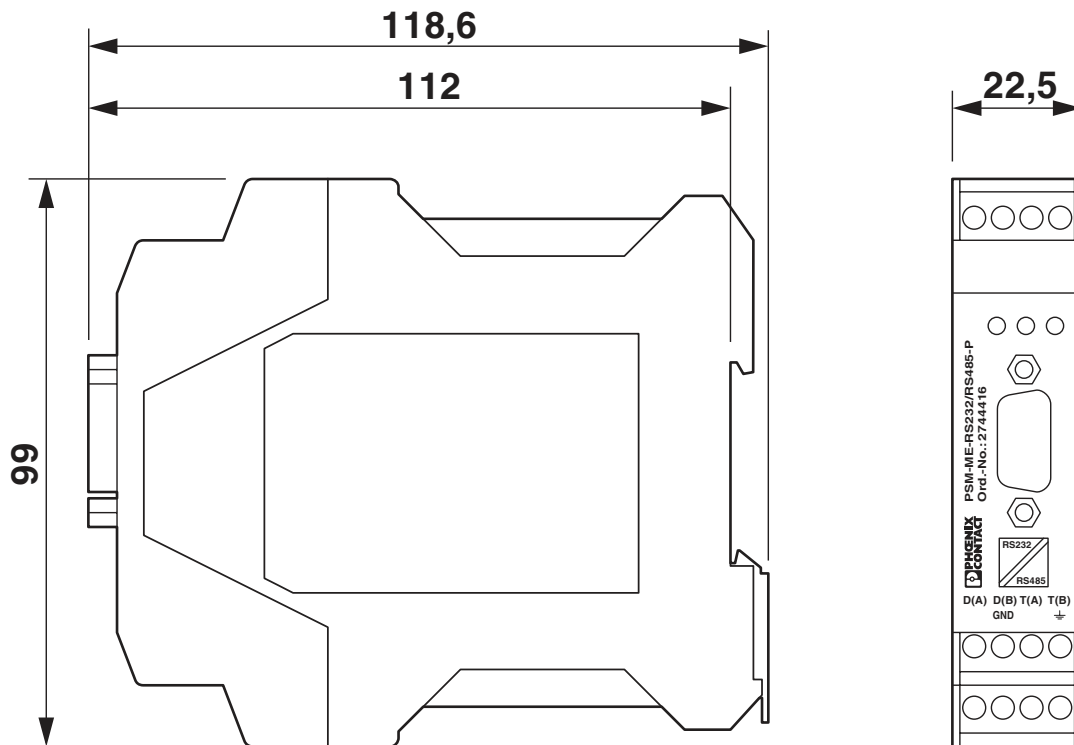
2744461

<https://www.phoenixcontact.com/gb/products/2744461>



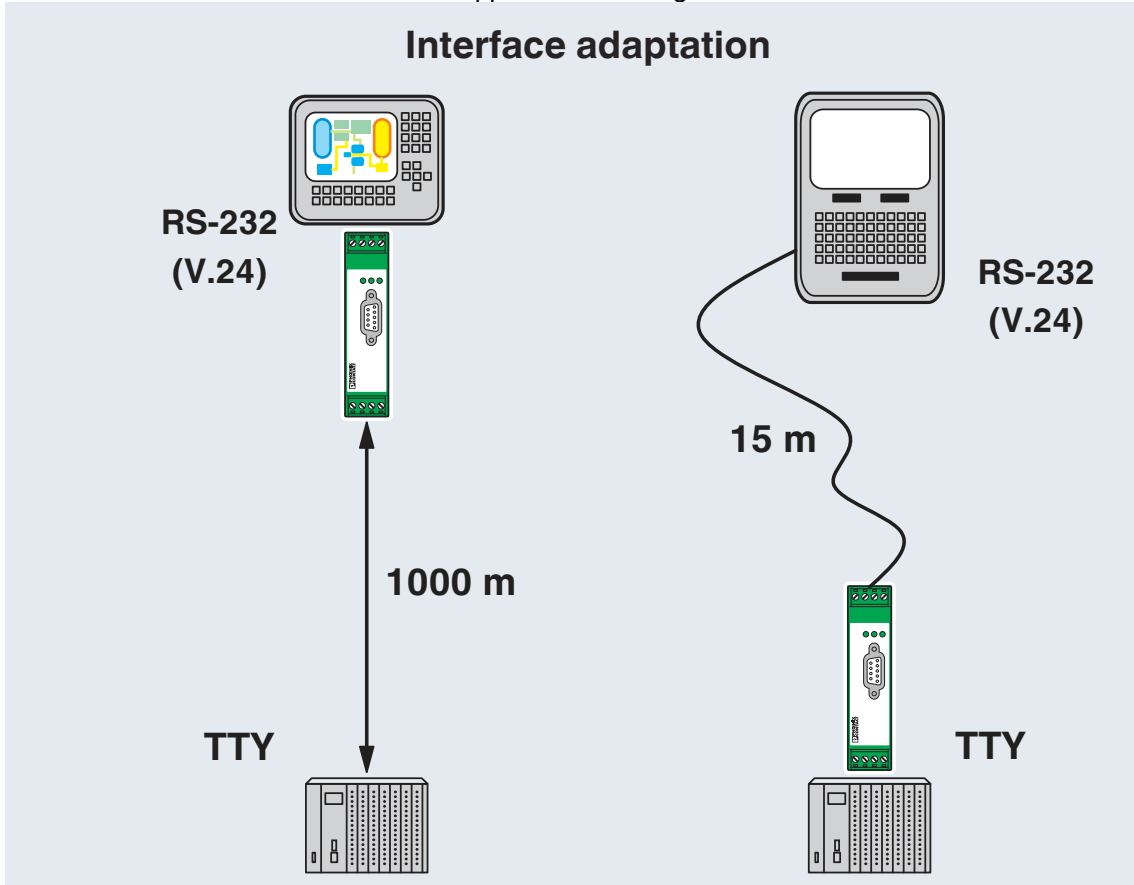
## Drawings

Dimensional drawing



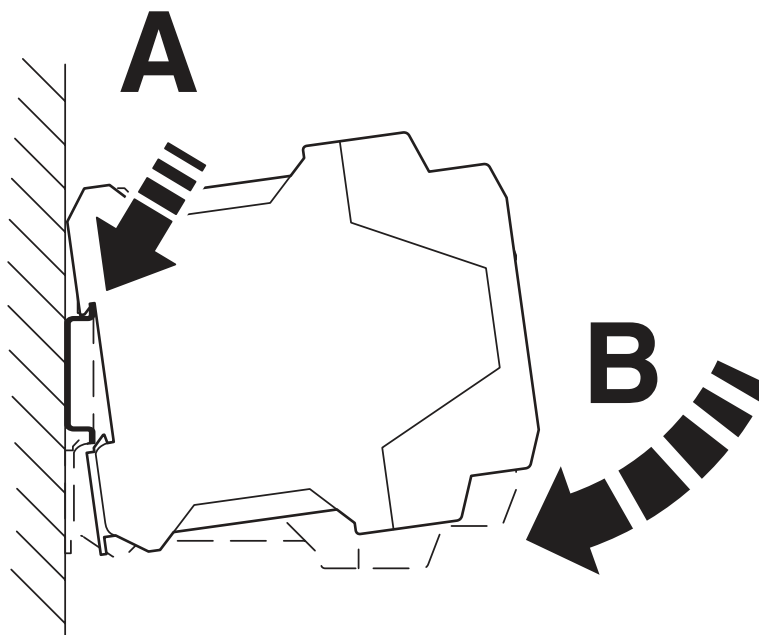
Slim design

Application drawing



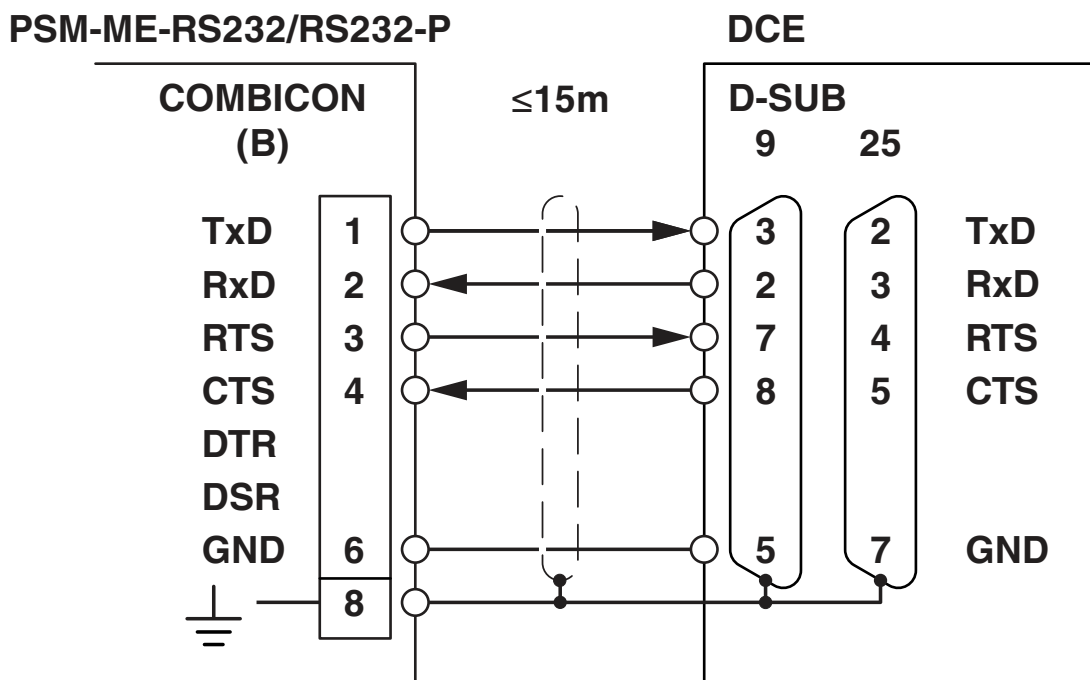
Interface adaptation

Schematic diagram



Mounting

Connection diagram



Connection to a DCE device



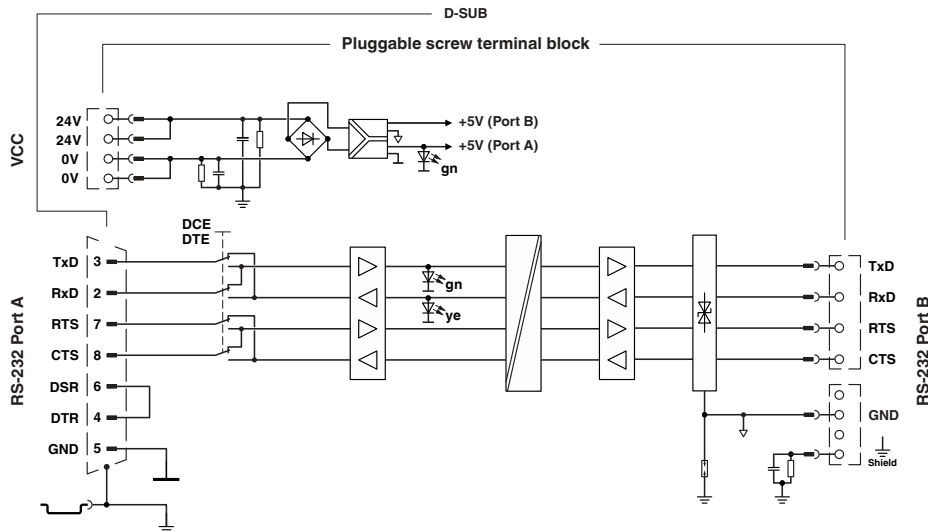
# PSM-ME-RS232/RS232-P - Interface converter



2744461

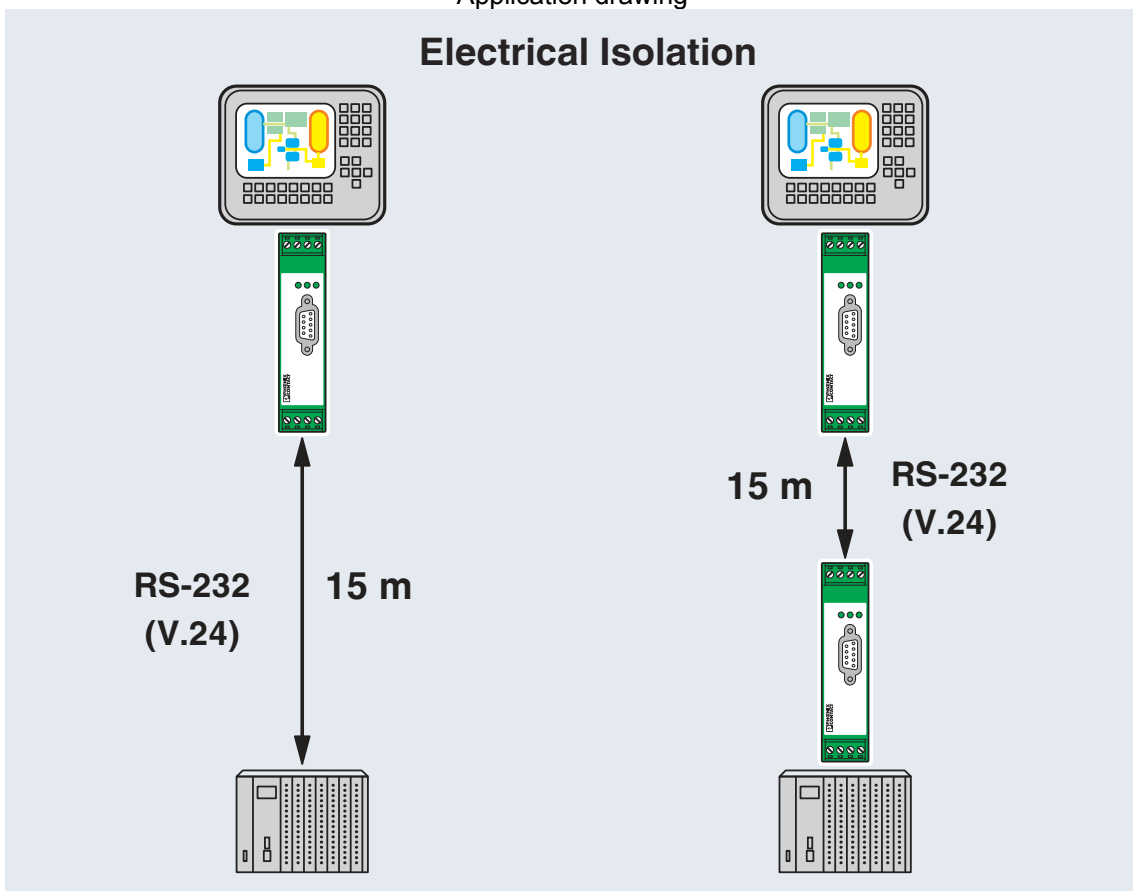
<https://www.phoenixcontact.com/gb/products/2744461>

Circuit diagram



Application drawing

## Electrical Isolation



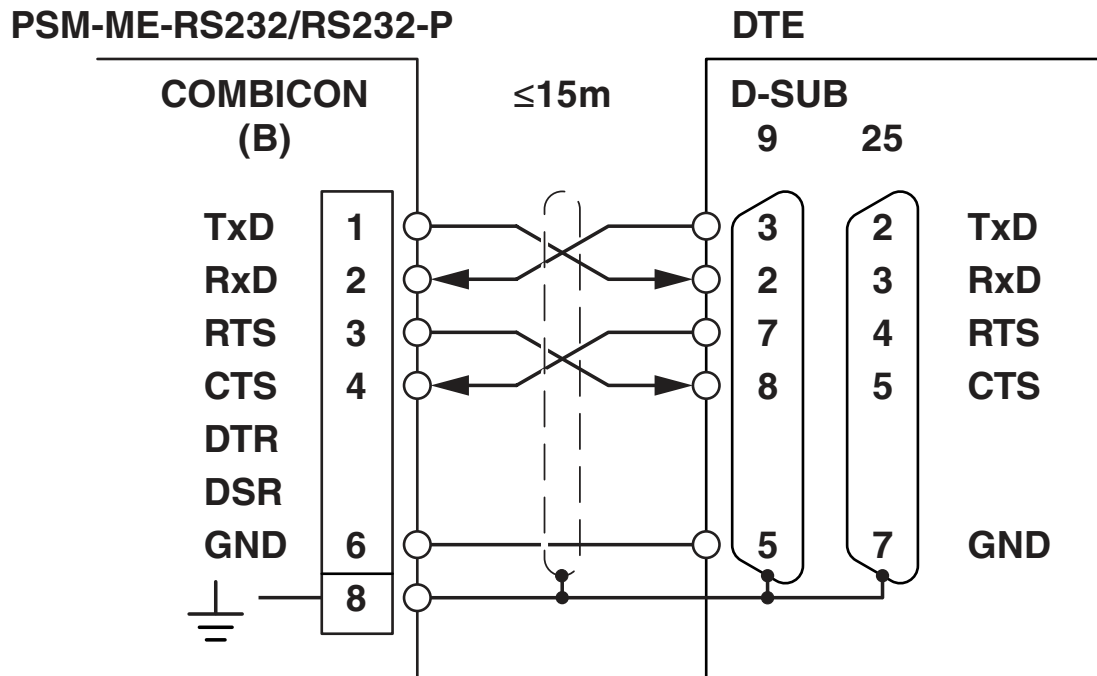
Electrical isolation

# PSM-ME-RS232/RS232-P - Interface converter

2744461

<https://www.phoenixcontact.com/gb/products/2744461>

Connection diagram



Connection to a DTE device

# PSM-ME-RS232/RS232-P - Interface converter



2744461

<https://www.phoenixcontact.com/gb/products/2744461>

## Approvals

To download certificates, visit the product detail page: <https://www.phoenixcontact.com/gb/products/2744461>



**cUL Recognized**  
Approval ID: FILE E 238705



**UL Recognized**  
Approval ID: FILE E 238705



**EAC**  
Approval ID: TR TS\_D\_01871-19



**DNV GL**  
Approval ID: TAA00001KR

**UAE-RoHS**  
Approval ID: 23-02-63194



**cUL Recognized**  
Approval ID: FILE E 199827



**UL Recognized**  
Approval ID: FILE E 199827



**cUL Listed**  
Approval ID: FILE E 199827



**UL Listed**  
Approval ID: FILE E 199827

**cULus Recognized**

**cULus Recognized**

**cULus Listed**

# PSM-ME-RS232/RS232-P - Interface converter

2744461

<https://www.phoenixcontact.com/gb/products/2744461>



# PSM-ME-RS232/RS232-P - Interface converter



2744461

<https://www.phoenixcontact.com/gb/products/2744461>

## Classifications

### ECLASS

ECLASS-11.0	27242208
ECLASS-12.0	27242208
ECLASS-13.0	27242208

### ETIM

ETIM 8.0	EC001423
----------	----------

### UNSPSC

UNSPSC 21.0	32151700
-------------	----------

# PSM-ME-RS232/RS232-P - Interface converter



2744461

<https://www.phoenixcontact.com/gb/products/2744461>

## Environmental product compliance

REACH SVHC	Lead 7439-92-1
China RoHS	Environmentally Friendly Use Period = 50 years
	For information on hazardous substances, refer to the manufacturer's declaration available under "Downloads"

# PSM-ME-RS232/RS232-P - Interface converter



2744461

<https://www.phoenixcontact.com/gb/products/2744461>

## Accessories

### PSM-KA9SUB9/BB/2METER - Data cable

2799474

<https://www.phoenixcontact.com/gb/products/2799474>

RS-232 cable, 9-pos. D-SUB socket on 9-pos. D-SUB socket, 9-wire, 1:1



---

### ME-SAS - Shield connection clamp

2853899

<https://www.phoenixcontact.com/gb/products/2853899>

Shield connection clamp for terminal points starting from 2.5 mm<sup>2</sup>



# PSM-ME-RS232/RS232-P - Interface converter



2744461

<https://www.phoenixcontact.com/gb/products/2744461>

## SZF 1-0,6X3,5 - Screwdriver

1204517

<https://www.phoenixcontact.com/gb/products/1204517>



Actuation tool, for ST terminal blocks, also suitable for use as a bladed screwdriver, size: 0.6 x 3.5 x 100 mm, 2-component grip, with non-slip grip

---

## SUBCON 9/F-SH - D-SUB bus connector

2761499

<https://www.phoenixcontact.com/gb/products/2761499>



D-SUB plug, 9-pos. female connector, one 35° cable entry, universal type for all systems, pin assignment: 1, 2, 3, 4, 5, 6, 7, 8, 9 to screw connection terminal block

---

Phoenix Contact 2023 © - all rights reserved

<https://www.phoenixcontact.com>

PHOENIX CONTACT Ltd

Halesfield 13, Telford

Shropshire, TF7 4PG

01952 681700

[info@phoenixcontact.co.uk](mailto:info@phoenixcontact.co.uk)