

# RAD-ISM-2400-ANT-OMNI-6-0 - Antenna



2885919

<https://www.phoenixcontact.com/gb/products/2885919>

Please be informed that the data shown in this PDF document is generated from our online catalog. Please find the complete data in the user documentation. Our general terms of use for downloads are valid.

Omnidirectional antenna for wall or mast mounting, 2.4 GHz, gain: 6 dBi, degree of protection: IP67, saltwater-resistant, shock- and vibration-resistant, connection: N (female), incl. mounting bracket and mast clamps, ATEX and IECEx approval



## Your advantages

- Ideally suited for stationary 2.4 GHz applications
- For use in potentially explosive areas
- Salt water resistant

## Commercial data

Item number	2885919
Packing unit	1 pc
Minimum order quantity	1 pc
Sales key	DNN2Z1
Product key	DNN2Z1
Catalog page	Page 389 (C-6-2019)
GTIN	4046356146319
Weight per piece (including packing)	394.7 g
Weight per piece (excluding packing)	388.7 g
Customs tariff number	85177100
Country of origin	PL

## Technical data

### Notes

#### Utilization restriction

CCCex note	Use in potentially explosive areas is not permitted in China.
------------	---

### Product properties

Product type	Antenna
Radiation characteristics	Omnidirectional
Gain	6 dBi
Vertical beamwidth	30 °
Horizontal beamwidth	360 °
Polarization	Linear vertical

### Electrical properties

Frequency band	2.4 GHz
Frequency range	2.4 GHz ... 2.5 GHz
Impedance	50 Ω
Maximum capacity	25.00 W

### Connection data

#### Connection technology

Connection method	N (female)
Outside diameter	25 mm ... 100 mm (Mast)

### Ex data

#### Safety data

Input voltage $U_i$	30 V
Input current $I_i$	600 mA
Input power $P_i$	≤ 1 W (30 dB)
Max. internal inductance $L_i$	negligible
Capacitance $C_i$	negligible

### Dimensions

Height	250 mm
Diameter	22 mm

#### External dimensions

Outside diameter	25 mm ... 100 mm (Mast)
------------------	-------------------------

### Material specifications

Material	Fiberglass-reinforced plastic V2A
----------	--------------------------------------

# RAD-ISM-2400-ANT-OMNI-6-0 - Antenna



2885919

<https://www.phoenixcontact.com/gb/products/2885919>

	V2A
Flammability rating according to UL 94	HB
Material	Fiberglass-reinforced plastic (Radom)
	V2A (Bracket)
	V2A (Mast clamp)

## Cable/line

Connecting cable	No
Other resistance	salt water resistant

## Environmental and real-life conditions

### Ambient conditions

Degree of protection	IP67
Ambient temperature (operation)	-40 °C ... 75 °C
Ambient temperature (storage/transport)	-40 °C ... 75 °C
Wind velocity	220 km/h

## Approvals

### Electronic devices in rail vehicles

Shock (operation)	IEC 60721-3-4, 4M5
Vibration (operation)	IEC 60721-3-4, 4M5 Random

## Standards and regulations

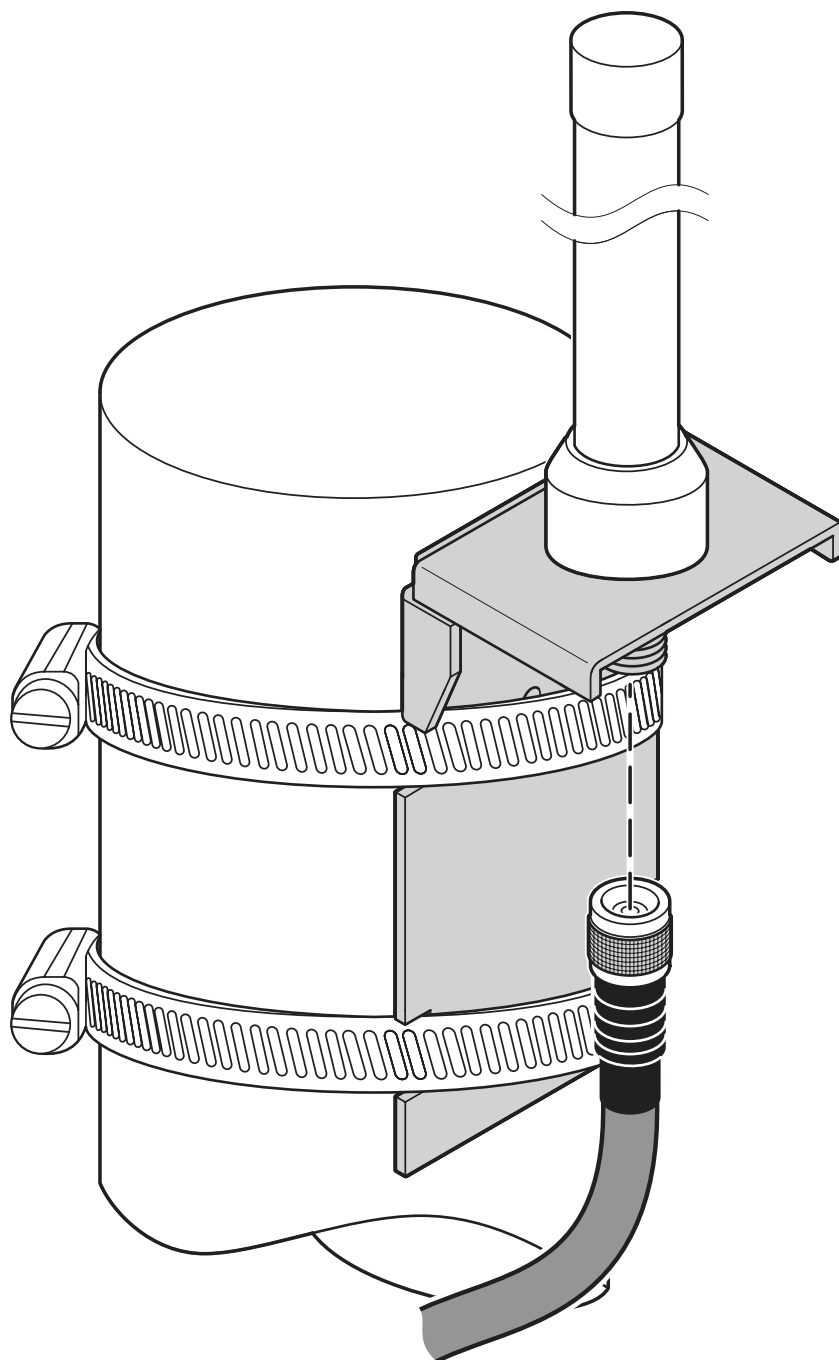
Other resistance	salt water resistant
Standards/specifications	EN 60079-0
	EN 60079-11
	EN 60079-26

## Mounting

Mounting type	Wall mounting
	Mast mounting
Assembly instructions	Outdoors and indoors
Connection method	N (female)

Drawings

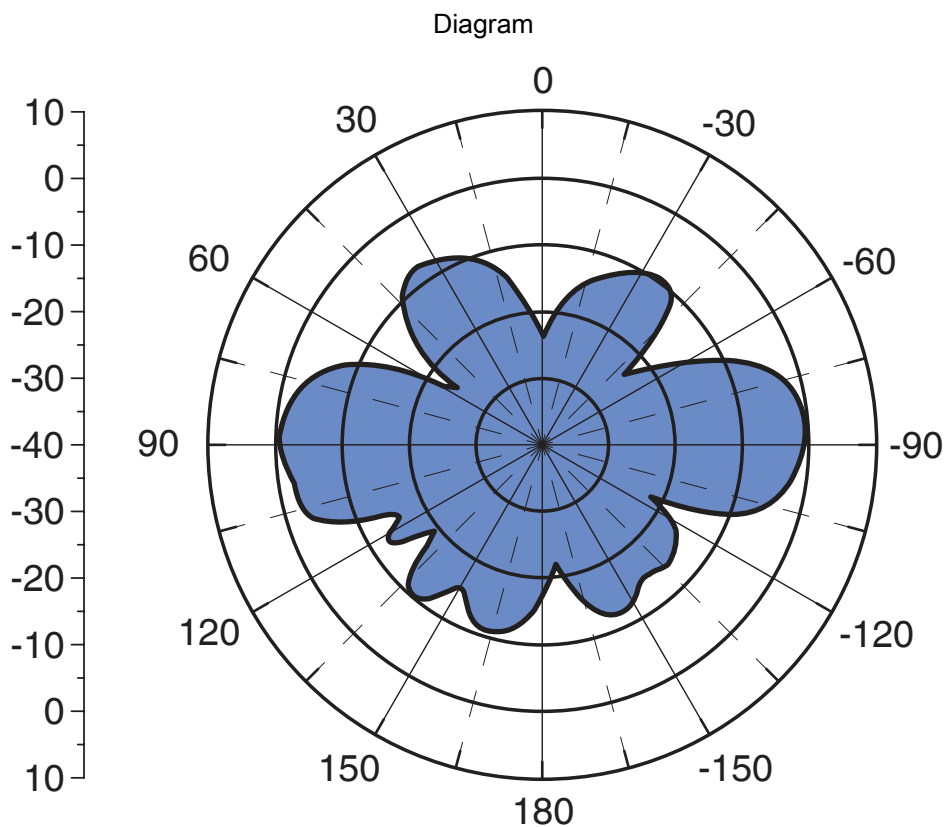
Schematic diagram



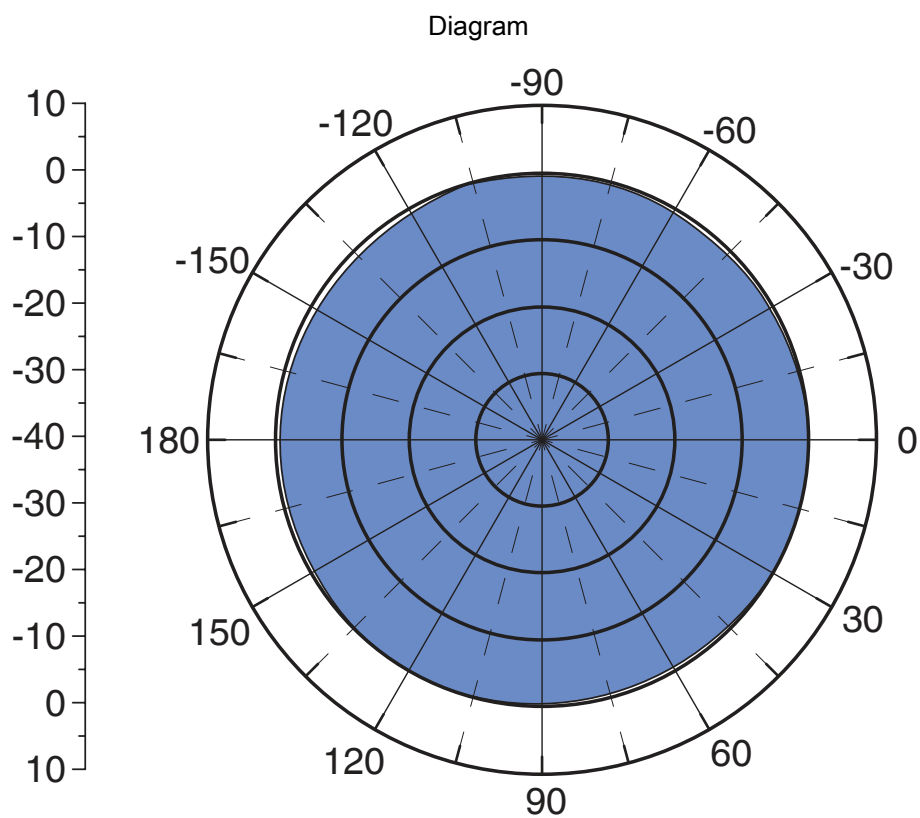
Mast mounting

2885919

<https://www.phoenixcontact.com/gb/products/2885919>



Vertical



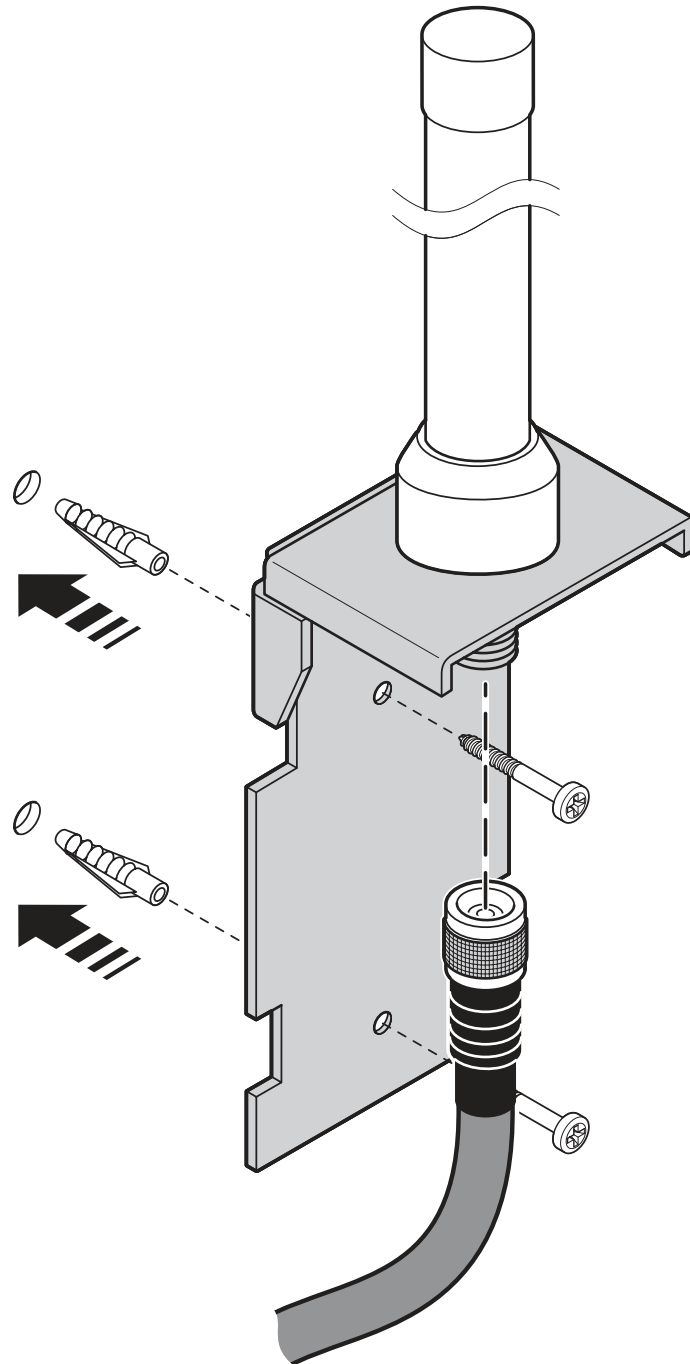
Horizontal

# RAD-ISM-2400-ANT-OMNI-6-0 - Antenna

2885919

<https://www.phoenixcontact.com/gb/products/2885919>

Schematic diagram

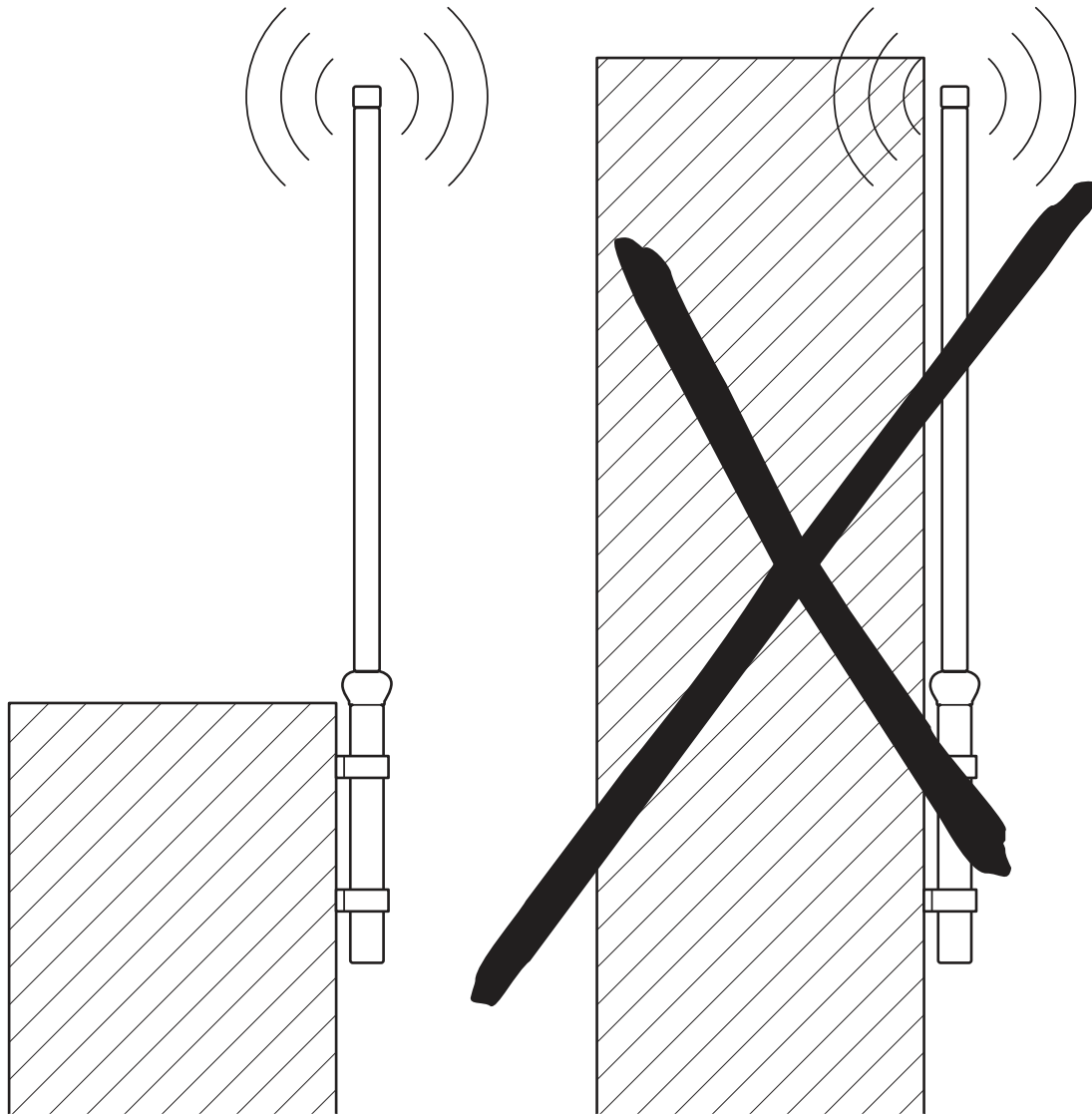


Wall mounting

2885919

<https://www.phoenixcontact.com/gb/products/2885919>

Schematic diagram



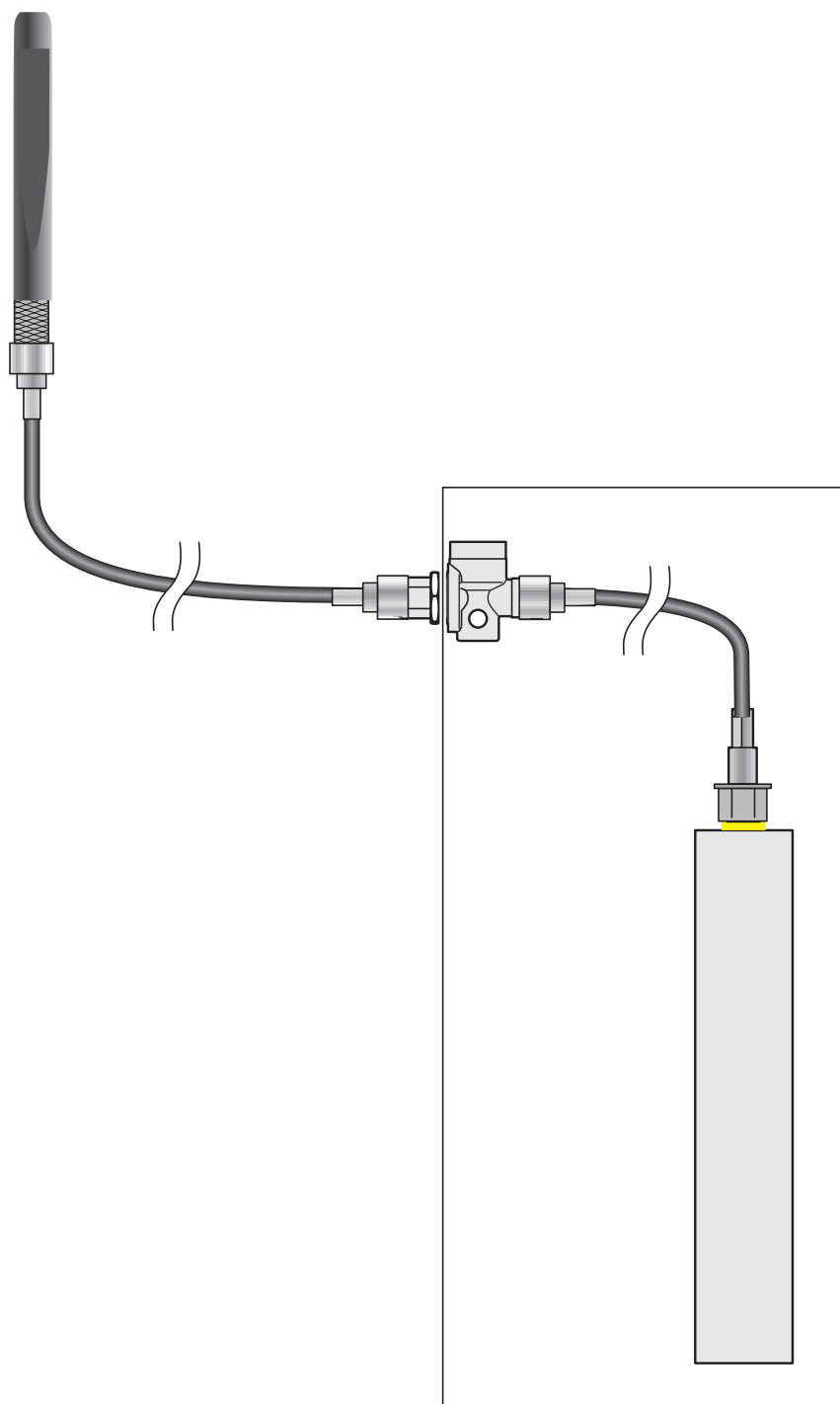
Wall mounting

# RAD-ISM-2400-ANT-OMNI-6-0 - Antenna

2885919

<https://www.phoenixcontact.com/gb/products/2885919>

Schematic diagram



Installation example



# RAD-ISM-2400-ANT-OMNI-6-0 - Antenna



2885919

<https://www.phoenixcontact.com/gb/products/2885919>

## Approvals

To download certificates, visit the product detail page: <https://www.phoenixcontact.com/gb/products/2885919>



**IECEx**

Approval ID: IECEx IBE 14.0039X



**ATEX**

Approval ID: IBExU 14 ATEX 1116 X

# RAD-ISM-2400-ANT-OMNI-6-0 - Antenna



2885919

<https://www.phoenixcontact.com/gb/products/2885919>

## Classifications

### ECLASS

ECLASS-11.0	19070105
ECLASS-12.0	19070105
ECLASS-13.0	19070105

### ETIM

ETIM 8.0	EC001698
----------	----------

### UNSPSC

UNSPSC 21.0	43223100
-------------	----------

# RAD-ISM-2400-ANT-OMNI-6-0 - Antenna



2885919

<https://www.phoenixcontact.com/gb/products/2885919>

## Environmental product compliance

China RoHS	Environmentally friendly use period: unlimited = EFUP-e
	No hazardous substances above threshold values

Phoenix Contact 2023 © - all rights reserved  
<https://www.phoenixcontact.com>

PHOENIX CONTACT Ltd  
Halesfield 13, Telford  
Shropshire, TF7 4PG  
01952 681700  
[info@phoenixcontact.co.uk](mailto:info@phoenixcontact.co.uk)