

FL PA SFNT 5-8 - Mounting panel

2891012

<https://www.phoenixcontact.com/gb/products/2891012>

Please be informed that the data shown in this PDF document is generated from our online catalog. Please find the complete data in the user documentation. Our general terms of use for downloads are valid.

Mounting plate for SFNT switches



Product description

Mounting plate for 5- and 8-port SFNT switches

Commercial data

Item number	2891012
Packing unit	1 pc
Minimum order quantity	1 pc
Sales key	DNN1ZZ
Product key	DNN1ZZ
Catalog page	Page 296 (C-6-2019)
GTIN	4046356587075
Weight per piece (including packing)	238 g
Weight per piece (excluding packing)	224 g
Customs tariff number	76169990
Country of origin	TW

FL PA SFNT 5-8 - Mounting panel



2891012

<https://www.phoenixcontact.com/gb/products/2891012>

Technical data

Product properties

Product type	Assembly adapter
--------------	------------------

Dimensions

Dimensional drawing	
Width	140 mm
Height	130 mm

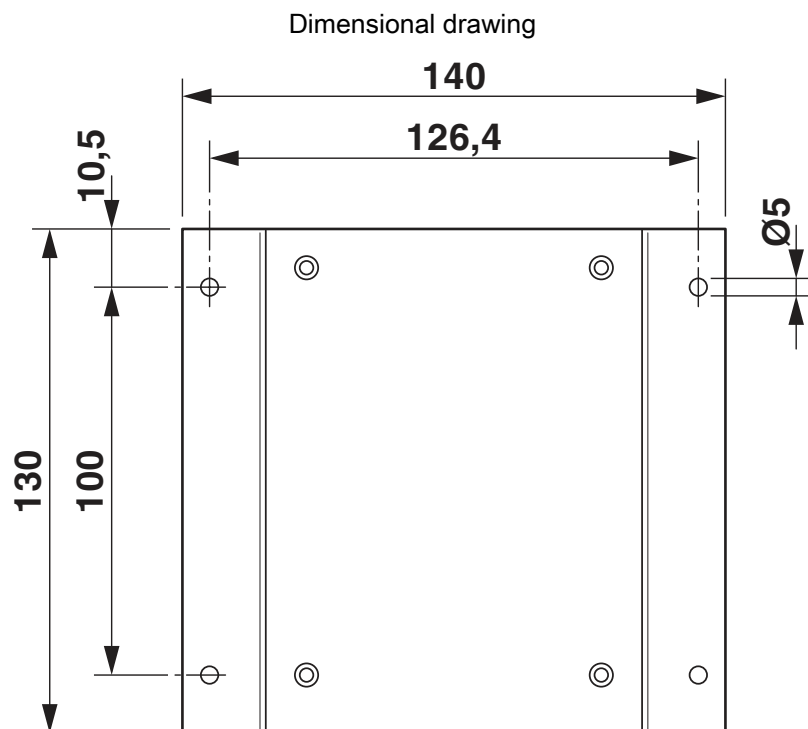
FL PA SFNT 5-8 - Mounting panel

2891012

<https://www.phoenixcontact.com/gb/products/2891012>



Drawings



FL PA SFNT 5-8 - Mounting panel



2891012

<https://www.phoenixcontact.com/gb/products/2891012>

Classifications

ECLASS

ECLASS-11.0	27371392
ECLASS-12.0	27371392
ECLASS-13.0	27371392

ETIM

ETIM 8.0	EC002498
----------	----------

UNSPSC

UNSPSC 21.0	39121100
-------------	----------

FL PA SFNT 5-8 - Mounting panel



2891012

<https://www.phoenixcontact.com/gb/products/2891012>

Environmental product compliance

China RoHS	Environmentally friendly use period: unlimited = EFUP-e No hazardous substances above threshold values
------------	---

Phoenix Contact 2023 © - all rights reserved
<https://www.phoenixcontact.com>

PHOENIX CONTACT Ltd
Halesfield 13, Telford
Shropshire, TF7 4PG
01952 681700
info@phoenixcontact.co.uk