

# FL MC EF 1300 MM ST - FO converters



2902854

<https://www.phoenixcontact.com/gb/products/2902854>

Please be informed that the data shown in this PDF document is generated from our online catalog. Please find the complete data in the user documentation. Our general terms of use for downloads are valid.



FO converter with B-FOC (ST<sup>®</sup>) fiber optic connection (1300 nm), for converting 10/100Base-T(X) to multi-mode fiberglass (50/125  $\mu$ m). Auto negotiation and auto MDI(X) function. Comprehensive link diagnostics. DIN-rail mountable, 18 ... 30 V DC supply.

## Product description

Optical transmission with FO technology provides superior immunity to interference at maximum transmission ranges without restricting the transmission bandwidth.

## Your advantages

- Transmission ranges up to 10 km
- Auto negotiation
- Auto MDI/MDI-X switch-over
- Link fault pass through (LFPT) and far end fault (FEF) functions for easy connection monitoring
- 10/100 Mbps
- Shipbuilding approval in accordance with DNV GL

## Commercial data

Item number	2902854
Packing unit	1 pc
Minimum order quantity	1 pc
Sales key	DNC311
Product key	DNC311
Catalog page	Page 351 (C-6-2019)
GTIN	4046356689243
Weight per piece (including packing)	180 g
Weight per piece (excluding packing)	172.2 g
Customs tariff number	85176200
Country of origin	DE

## Technical data

### Notes

#### Utilization restriction

EMC note	EMC: class A product, see manufacturer's declaration in the download area
----------	---

#### Utilization restriction

CCCex note	Use in potentially explosive areas is not permitted in China.
------------	---

### Product properties

Product type	Media converter
MTTF	1400 Years (SN 29500 standard, temperature 25°C, operating cycle 21%)
	599 Years (SN 29500 standard, temperature 40°C, operating cycle 34.25%)
	101 Years (SN 29500 standard, temperature 40°C, operating cycle 100%)
MTBF	492 Years (Telcordia standard, 25°C temperature, 21% operating cycle (5 days a week, 8 hours a day))
	132 Years (Telcordia standard, 40°C temperature, 34.25% operating cycle (5 days a week, 12 hours a day))
Signal delay	± 1.3 μs (Store and Forward mode, 10/100 Mbps, depending on the frame size)

### System properties

#### Functionality

Basic functions	Store-and-forward media converter
-----------------	-----------------------------------

### Electrical properties

Electrical isolation	according to IEEE 802.3
	VCC // FE // Ethernet
Maximum power dissipation for nominal condition	2.4 W
Test voltage data interface/power supply	1.5 kV <sub>rms</sub> (50 Hz, 1 min.)

#### Supply

Supply voltage range	18 V DC ... 30 V DC (Screw connection)
	18 V DC ... 30 V DC (as an alternative or redundant, via backplane bus contact and system current supply)
Typical current consumption	< 100 mA (24 V DC)
Protective circuit	Reverse polarity protection
Connection method	Plug-in screw terminal block (COMBICON), redundancy possible

### Connection data

#### Supply

# FL MC EF 1300 MM ST - FO converters



2902854

<https://www.phoenixcontact.com/gb/products/2902854>

Connection method	Plug-in screw terminal block (COMBICON), redundancy possible
Conductor cross section, flexible	0.20 mm <sup>2</sup> ... 2.50 mm <sup>2</sup>
Conductor cross section, rigid	0.20 mm <sup>2</sup> ... 2.50 mm <sup>2</sup>
Conductor cross section, flexible [AWG]	24 ... 14
Conductor cross section AWG	24 ... 14
Tightening torque	0.56 Nm ... 0.79 Nm

## Interfaces

Signal	Ethernet
Basic functions	Store-and-forward media converter

### Data: optical FO

Transmit capacity, minimum	≥ -23.5 dBm ((50/125 μm) dynamic in link mode (average))
	≥ -20 dBm ((62,5/125 μm) dynamic in link mode (average))
Transmit capacity, maximum	≤ -14 dBm ((50/125 μm) dynamic in link mode (average))
	≤ -14 dBm ((62,5/125 μm) dynamic in link mode (average))
Transmission length incl. 3 dB system reserve	6.4 km (with F-G 50/125 0,7 dB/km F 1000)
	2.8 km (with F-G 50/125 1,6 dB/km F 800)
	10 km (with F-G 62,5/125 0,7 dB/km F 1000)
	3 km (with F-G 62.5/125 2.6 dB/km F 600)
Connection method	B-FOC (ST <sup>®</sup> )
Wavelength	1300 nm
Minimum receiver sensitivity	-31 dBm (dynamic in link mode (average))
Maximum receiver sensitivity	-14 dBm (dynamic in link mode (average))
Transmission medium	Multi-mode fiberglass
	GI-HCS fiber

### Data: Ethernet interface, 10/100Base-T(X) in accordance with IEEE 802.3

Transmission speed	10/100 Mbps
Connection method	RJ45 jack, shielded
No. of channels	1
Transmission length	100 m (shielded twisted pair)
Transmission medium	Copper
Signal LEDs	Activity, link status, 10/100 Mbps
Auto-negotiation modes	Auto
Link through	Link fault pass through
MDI-/MDI-X switchover	Auto-MDI(X)

## Dimensions

Dimensional drawing	
---------------------	--

# FL MC EF 1300 MM ST - FO converters



2902854

<https://www.phoenixcontact.com/gb/products/2902854>

Width	22.5 mm
Height	99 mm
Depth	114.5 mm

## Material specifications

Material	PA 6.6-FR
----------	-----------

## Cable/line

### FO cable

Fiber types	50/125 µm
	62.5/125 µm
	Fiberglass

## Environmental and real-life conditions

### Ambient conditions

Degree of protection	IP20
Ambient temperature (operation)	-40 °C ... 65 °C
Ambient temperature (storage/transport)	-40 °C ... 85 °C
Altitude	≤ 5000 m (For restrictions, see the manufacturer's declaration for altitude operation)
	≤ 2000 m (in acc. with UL)
Permissible humidity (operation)	30 % ... 95 % (non-condensing)
Permissible humidity (storage/transport)	30 % ... 95 % (non-condensing)

## Approvals

### CE

Certificate	CE-compliant
-------------	--------------

### EAC

Identification	EAC
----------------	-----

### ATEX

Identification	⊕ II 3 G Ex nA IIC T4 Gc X
Note	Please follow the special installation instructions in the documentation!

### ATEX, FO interface

Identification	⊕ II (2) D [Ex op is Db] IIIC
	⊕ II (2) G [Ex op is Gb] IIC
Certificate	PTB 06 ATEX 2042 U
Note	Please follow the special installation instructions in the documentation!

### UL, USA/Canada

Identification	508 Listed
	Class I, Zone 2, AEx nA IIC T4

# FL MC EF 1300 MM ST - FO converters



2902854

<https://www.phoenixcontact.com/gb/products/2902854>

	Class I, Zone 2, Ex nA IIC T4 Gc X
	Class I, Div. 2, Groups A, B, C, D

## KC approval for South Korea

Certificate	MSIP-REI-PCK-2902854
-------------	----------------------

## Corrosive gas test

Identification	ISA-S71.04-1985 G3 Harsh Group A
----------------	----------------------------------

## Shipbuilding

Identification	DNV GL
----------------	--------

## DNV GL data

Temperature	B
Humidity	A
Vibration	A
EMC	B
Enclosure	Required protection according to the Rules shall be provided upon installation on board

## EMC data

Electromagnetic compatibility	Conformance with EMC Directive 2014/30/EU
-------------------------------	---

## Electrostatic discharge

Standards/regulations	EN 61000-4-2
-----------------------	--------------

## Electrostatic discharge

Contact discharge	± 6 kV (Test Level 3)
Discharge in air	± 8 kV (Test Level 3)
Indirect discharge	± 6 kV
Comments	Criterion B

## Electromagnetic HF field

Standards/regulations	EN 61000-4-3
-----------------------	--------------

## Electromagnetic HF field

Frequency range	80 MHz ... 3 GHz (Test Level 3)
Field intensity	10 V/m
Comments	Criterion A

## Fast transients (burst)

Standards/regulations	EN 61000-4-4
-----------------------	--------------

## Fast transients (burst)

Input	± 2 kV (Test Level 3)
Signal	± 2 kV (Test Level 3)
Comments	Criterion B

## Surge current load (surge)

# FL MC EF 1300 MM ST - FO converters



2902854

<https://www.phoenixcontact.com/gb/products/2902854>

Standards/regulations	EN 61000-4-5
-----------------------	--------------

## Surge current load (surge)

Input	± 0.5 kV (DC supply)
Signal	± 1 kV (Data line, asymmetrical)
Comments	Criterion B

## Conducted interference

Standards/regulations	EN 61000-4-6
-----------------------	--------------

## Conducted interference

Frequency range	0.15 MHz ... 80 MHz
Comments	Criterion A
Voltage	10 V

## Emitted interference

Standards/regulations	EN 55032
Comments	Class A, industrial applications

## Criteria

Criterion A	Normal operating behavior within the specified limits.
Criterion B	Temporary impairment to operational behavior that is corrected by the device itself.

## Standards and regulations

Free from substances that could impair the application of coating	in accordance with VW-AUDI-Seat central standard P-VW 3.10.7 57 65 0
Electrical isolation	according to IEEE 802.3

## Mounting

Mounting type	DIN rail mounting
---------------	-------------------

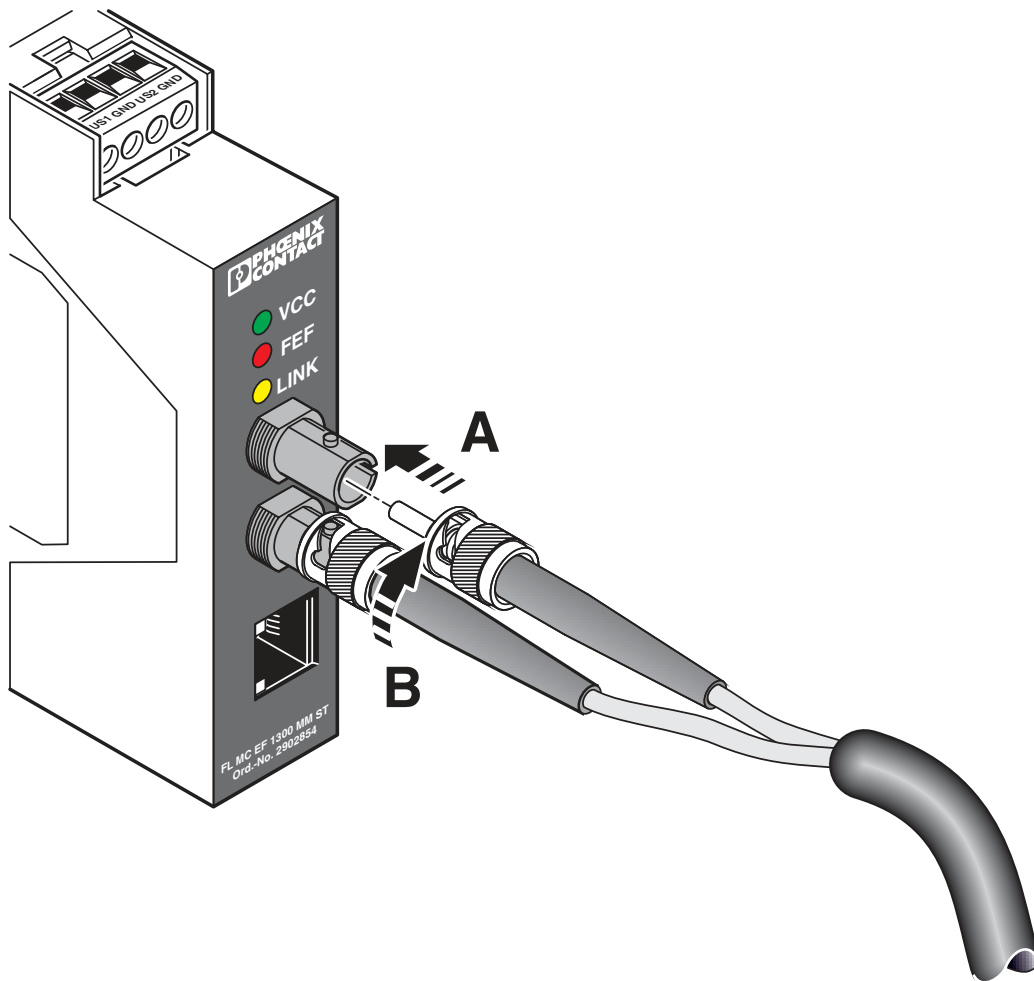
# FL MC EF 1300 MM ST - FO converters

2902854

<https://www.phoenixcontact.com/gb/products/2902854>

## Drawings

Schematic diagram



Connect B-FOC (ST<sup>®</sup>) plug

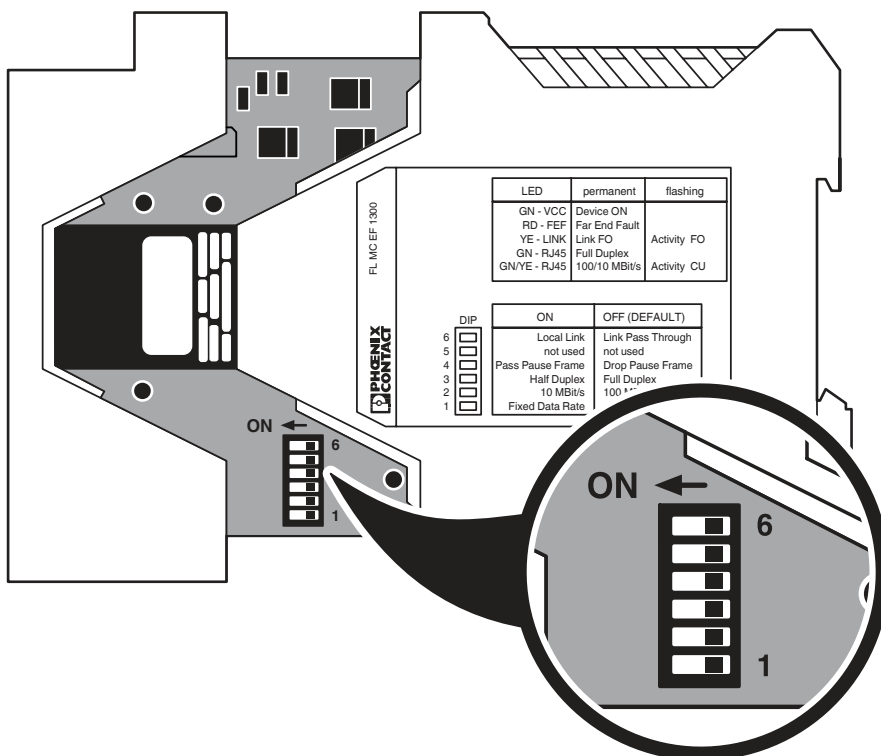
# FL MC EF 1300 MM ST - FO converters



2902854

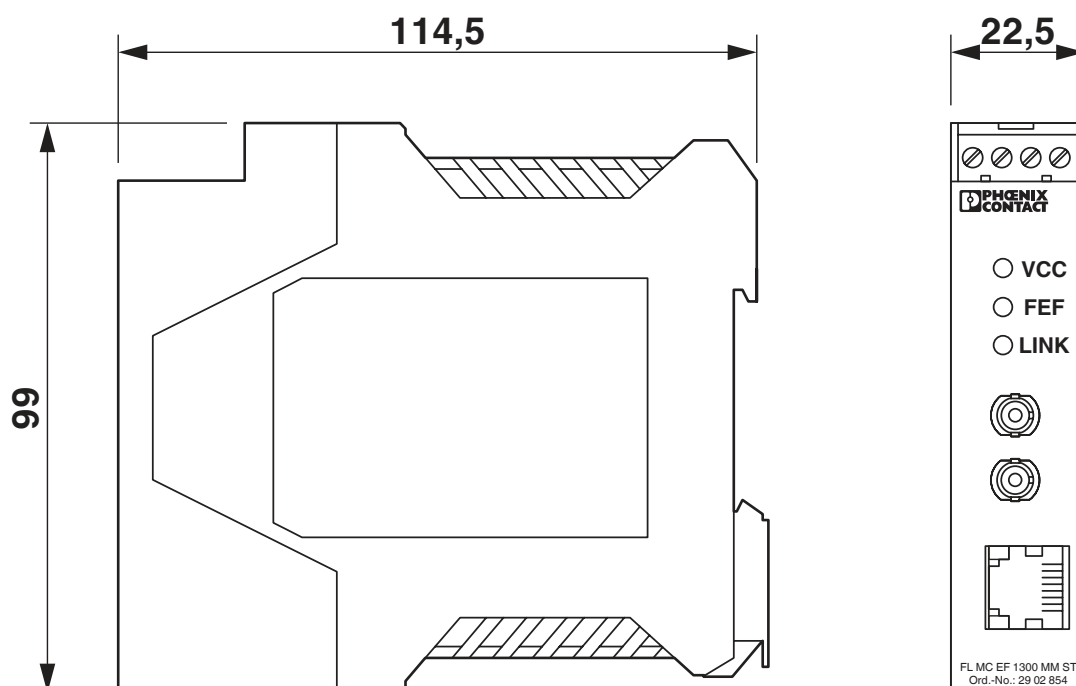
<https://www.phoenixcontact.com/gb/products/2902854>

Schematic diagram



DIP switches

Dimensional drawing



Slim design

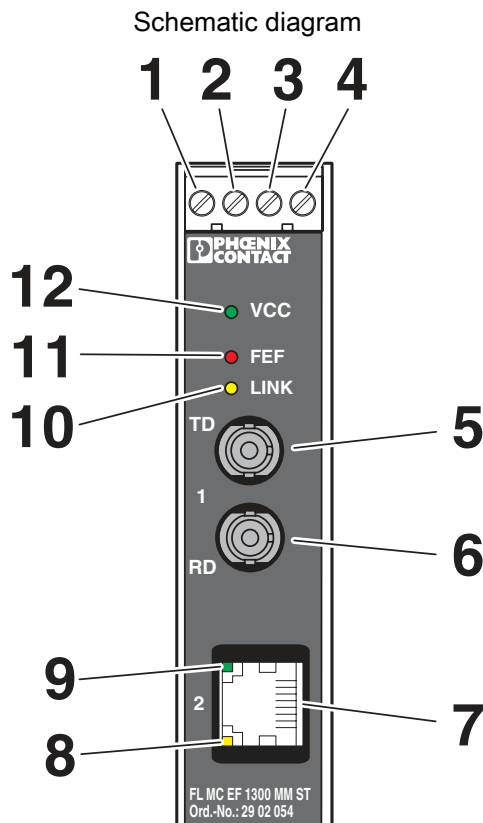


# FL MC EF 1300 MM ST - FO converters

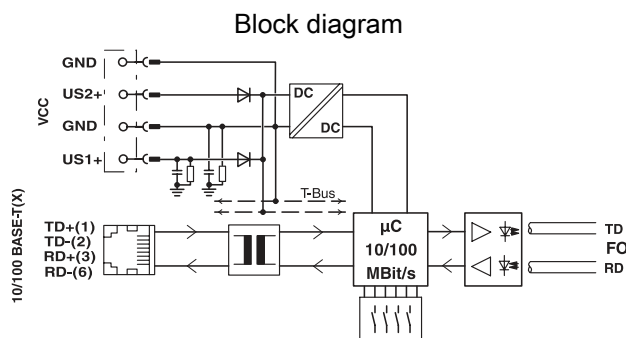


2902854

<https://www.phoenixcontact.com/gb/products/2902854>



Front view



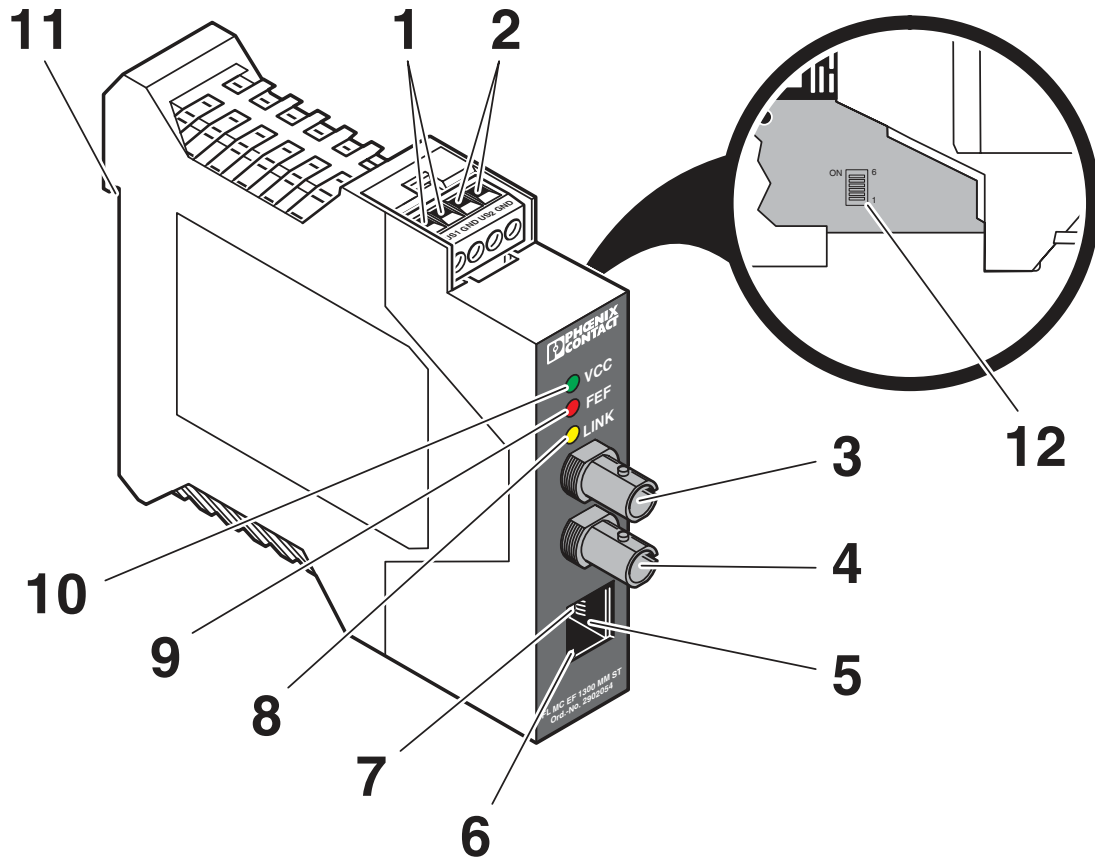
Basic circuit diagram

# FL MC EF 1300 MM ST - FO converters

2902854

<https://www.phoenixcontact.com/gb/products/2902854>

Schematic diagram



Function elements

# FL MC EF 1300 MM ST - FO converters



2902854

<https://www.phoenixcontact.com/gb/products/2902854>

## Approvals

To download certificates, visit the product detail page: <https://www.phoenixcontact.com/gb/products/2902854>



**EAC**

Approval ID: RU D-DE.GB09.B.00312



**KC**

Approval ID: MSIP-REI-PCK-2902854



**ATEX**

Approval ID: PTB 06 ATEX 2042U



**cUL Listed**

Approval ID: FILE E 199827



**UL Listed**

Approval ID: FILE E 199827

**cULus Listed**

# FL MC EF 1300 MM ST - FO converters



2902854

<https://www.phoenixcontact.com/gb/products/2902854>

## Classifications

### ECLASS

ECLASS-11.0	19170411
ECLASS-12.0	19170411
ECLASS-13.0	19170411

### ETIM

ETIM 8.0	EC001467
----------	----------

### UNSPSC

UNSPSC 21.0	43201500
-------------	----------

# FL MC EF 1300 MM ST - FO converters



2902854

<https://www.phoenixcontact.com/gb/products/2902854>

## Environmental product compliance

REACH SVHC	Lead 7439-92-1
China RoHS	Environmentally Friendly Use Period = 50 years
	For information on hazardous substances, refer to the manufacturer's declaration available under "Downloads"

# FL MC EF 1300 MM ST - FO converters

2902854

<https://www.phoenixcontact.com/gb/products/2902854>

## Accessories

### FL PLUG RJ45 GR/2 - RJ45 connector

2744856

<https://www.phoenixcontact.com/gb/products/2744856>



RJ45 connector, design: RJ45, degree of protection: IP20, number of positions: 8, 1 Gbps, CAT5 (IEC 11801:2002), material: Plastic, connection method: Crimp connection, connection cross section: AWG 26- 24, cable outlet: straight, color: green, Ethernet

---

### FL PLUG RJ45 GN/2 - RJ45 connector

2744571

<https://www.phoenixcontact.com/gb/products/2744571>



RJ45 connector, design: RJ45, degree of protection: IP20, number of positions: 8, 1 Gbps, CAT5 (IEC 11801:2002), material: Plastic, connection method: Crimp connection, connection cross section: AWG 26- 24, cable outlet: straight, color: green, Ethernet

# FL MC EF 1300 MM ST - FO converters

2902854

<https://www.phoenixcontact.com/gb/products/2902854>

## FL CAT5 HEAVY - Data cable

2744814

<https://www.phoenixcontact.com/gb/products/2744814>



CAT5-SF/UTP cable (J-02YS(ST)C HP 2 x 2 x 24 AWG), heavy-duty installation cable, 2 x 2 x 0.22 mm<sup>2</sup>, solid conductor, shielded, outer sheath: 7.8 mm diameter, inner sheath: 5.75 mm ± 0.15 mm diameter

---

## FL CAT5 FLEX - Installation cable

2744830

<https://www.phoenixcontact.com/gb/products/2744830>



By the meter, Installation cable, Ethernet CAT5 (100 Mbps), shielded, PUR halogen-free, water blue RAL 5021, 4-wire (2x2xAWG26/7, SF/UTP), color single wire: white/orange-orange, white/green-green, cable length: Free entry (1.0 ... 1000.0 m)

# FL MC EF 1300 MM ST - FO converters

2902854

<https://www.phoenixcontact.com/gb/products/2902854>



## FL CRIMPTOOL - Assembly tool

2744869

<https://www.phoenixcontact.com/gb/products/2744869>

Crimping pliers, for assembling the RJ45 plugs FL PLUG RJ45..., for assembly on site



---

## ME 22,5 TBUS 1,5/ 5-ST-3,81 GN - DIN rail bus connectors

2707437

<https://www.phoenixcontact.com/gb/products/2707437>

DIN rail connector, color: green, nominal current: 8 A (parallel contacts), rated voltage (III/2): 125 V, number of positions: 5, pitch: 3.81 mm, mounting: DIN rail mounting, locking: without, mounting: without, type of packaging: packed in cardboard, Item with gold-plated contacts, bus connectors for connecting with electronics housings, 5 parallel contacts





# FL MC EF 1300 MM ST - FO converters

2902854

<https://www.phoenixcontact.com/gb/products/2902854>



## QUINT4-SYS-PS/1AC/24DC/2.5/SC - Power supply unit

2904614

<https://www.phoenixcontact.com/gb/products/2904614>



Primary-switched power supply, QUINT POWER, screw connection, DIN rail mounting, supply of devices possible via the TBUS DIN rail connector, protective coating, input: single-phase, output: 24 V DC/2.5 A

---

## ME 17,5 TBUS 1,5/ 5-ST-3,81 GN - DIN rail bus connectors

2709561

<https://www.phoenixcontact.com/gb/products/2709561>



DIN rail connector for DIN rail mounting. Universal for TBUS housing. Gold-plated contacts, 5-pos.

# FL MC EF 1300 MM ST - FO converters



2902854

<https://www.phoenixcontact.com/gb/products/2902854>

## ME 17,5 TBUS 1,5/ 5-ST-3,81 KMGY - DIN rail bus connectors

2713645

<https://www.phoenixcontact.com/gb/products/2713645>



DIN rail connector, color: light grey, nominal current: 8 A (parallel contacts), rated voltage (III/2): 125 V, number of positions: 5, pitch: 3.81 mm, mounting: DIN rail mounting, locking: without, mounting: without, type of packaging: packed in cardboard, Item with gold-plated contacts, bus connectors for connecting with electronics housings, 5 parallel contacts

---

## FOC-ST:PA-SC:PA-OM2:D01/1 - FO patch cable

1115574

<https://www.phoenixcontact.com/gb/products/1115574>

Multi-mode OM2 duplex jumper, ST-SC, UPC polishing, length 1 m



# FL MC EF 1300 MM ST - FO converters

2902854

<https://www.phoenixcontact.com/gb/products/2902854>

## FOC-ST:PA-SC:PA-OM2:D01/2 - FO patch cable

1115573

<https://www.phoenixcontact.com/gb/products/1115573>

Multi-mode OM2 duplex jumper, ST-SC, UPC polishing, length 2 m



---

## FOC-ST:PA-ST:PA-OM2:D01/1 - FO patch cable

1115560

<https://www.phoenixcontact.com/gb/products/1115560>

Multi-mode OM2 duplex jumper, ST-ST, UPC polishing, length 1 m



# FL MC EF 1300 MM ST - FO converters



2902854

<https://www.phoenixcontact.com/gb/products/2902854>

## FOC-ST:PA-ST:PA-OM2:D01/2 - FO patch cable

1115557

<https://www.phoenixcontact.com/gb/products/1115557>

Multi-mode OM2 duplex jumper, ST-ST, UPC polishing, length 2 m



---

## FOC-LC:PA-ST:PA-OM2:D01/1 - Fiber optic cable

1115588

<https://www.phoenixcontact.com/gb/products/1115588>

Multi-mode OM2 duplex jumper, LC-ST, UPC polishing, length 1 m



# FL MC EF 1300 MM ST - FO converters

2902854

<https://www.phoenixcontact.com/gb/products/2902854>

## FOC-LC:PA-ST:PA-OM2:D01/2 - Fiber optic cable

1115587

<https://www.phoenixcontact.com/gb/products/1115587>

Multi-mode OM2 duplex jumper, LC-ST, UPC polishing, length 2 m



---

## FOC-LC:PA-ST:PA-OM1:D01/1 - FO patch cable

1146499

<https://www.phoenixcontact.com/gb/products/1146499>

Multi-mode OM1 duplex jumper, LC-ST, UPC polishing, length 1 m



# FL MC EF 1300 MM ST - FO converters



2902854

<https://www.phoenixcontact.com/gb/products/2902854>

## FOC-LC:PA-ST:PA-OM1:D01/2 - FO patch cable

1146508

<https://www.phoenixcontact.com/gb/products/1146508>

Multi-mode OM1 duplex jumper, LC-ST, UPC polishing, length 2 m



---

## FOC-ST:PA-ST:PA-OM1:D01/1 - FO patch cable

1146501

<https://www.phoenixcontact.com/gb/products/1146501>

Multi-mode OM1 duplex jumper, ST-ST, UPC polishing, length 1 m



# FL MC EF 1300 MM ST - FO converters

2902854

<https://www.phoenixcontact.com/gb/products/2902854>



## FOC-ST:PA-ST:PA-OM1:D01/2 - FO patch cable

1146509

<https://www.phoenixcontact.com/gb/products/1146509>

Multi-mode OM1 duplex jumper, ST-ST, UPC polishing, length 2 m



---

## VS-08-RJ45-5-Q/IP20 - RJ45 connector

1656725

<https://www.phoenixcontact.com/gb/products/1656725>



RJ45 connector, design: RJ45, degree of protection: IP20, number of positions: 8, 1 Gbps, CAT5, material: Plastic, connection method: Insulation displacement connection, connection cross section: AWG 26- 23, cable outlet: straight, color: traffic grey A RAL 7042, Ethernet

# FL MC EF 1300 MM ST - FO converters



2902854

<https://www.phoenixcontact.com/gb/products/2902854>

## VS-08-RJ45-5-Q/IP20 BK - RJ45 connector

1658008

<https://www.phoenixcontact.com/gb/products/1658008>



RJ45 connector, design: RJ45, degree of protection: IP20, number of positions: 8, 1 Gbps, CAT5, material: Plastic, connection method: Insulation displacement connection, connection cross section: AWG 26- 23, cable outlet: straight, color: black, Ethernet

---

## PSM-SET-B-FOC/4-HCS/PN - FO connectors

2313782

<https://www.phoenixcontact.com/gb/products/2313782>



FO connectors, degree of protection: IP20, number of positions: 4, MM, material: Plastic, cable outlet: straight



# FL MC EF 1300 MM ST - FO converters

2902854

<https://www.phoenixcontact.com/gb/products/2902854>



## FL CAT5 PATCH 0,5 - Patch cable

2832263

<https://www.phoenixcontact.com/gb/products/2832263>

Patch cable, CAT5, assembled, 0.5 m



---

## FL CAT5 PATCH 1,0 - Patch cable

2832276

<https://www.phoenixcontact.com/gb/products/2832276>

Patch cable, CAT5, assembled, 1 m



# FL MC EF 1300 MM ST - FO converters

2902854

<https://www.phoenixcontact.com/gb/products/2902854>



## FL CAT5 PATCH 2,0 - Patch cable

2832289

<https://www.phoenixcontact.com/gb/products/2832289>



Patch cable, CAT5, assembled, 2 m

---

## FL CAT5 PATCH 3,0 - Patch cable

2832292

<https://www.phoenixcontact.com/gb/products/2832292>



Patch cable, CAT5, assembled, 3 m

# FL MC EF 1300 MM ST - FO converters

2902854

<https://www.phoenixcontact.com/gb/products/2902854>

## NBC-R4AC-R4AC-IE8A/.../... - Patch cable

1411854

<https://www.phoenixcontact.com/gb/products/1411854>



Patch cable, degree of protection: IP20, number of positions: 8, 10 Gbps, CAT6<sub>A</sub>, cable outlet: straight, Ethernet

---

## NBC-R4AC/10G-R4AC/10G-94F/2,0 - Patch cable

1408360

<https://www.phoenixcontact.com/gb/products/1408360>



Patch cable, CAT6<sub>A</sub>, 4-pair, shielded, connection not crossed (line), assembled at both ends with RJ45/IP20 connectors, outer sheath material: PUR, length: 2.0 m

# FL MC EF 1300 MM ST - FO converters



2902854

<https://www.phoenixcontact.com/gb/products/2902854>

## NBC-R4AC/10G-R4AC/10G-94F/3,0 - Patch cable

1408365

<https://www.phoenixcontact.com/gb/products/1408365>



Patch cable, CAT6<sub>A</sub>, 4-pair, shielded, connection not crossed (line), assembled at both ends with RJ45/IP20 connectors, outer sheath material: PUR, length: 3.0 m

---

Phoenix Contact 2023 © - all rights reserved

<https://www.phoenixcontact.com>

PHOENIX CONTACT Ltd

Halesfield 13, Telford

Shropshire, TF7 4PG

01952 681700

[info@phoenixcontact.co.uk](mailto:info@phoenixcontact.co.uk)