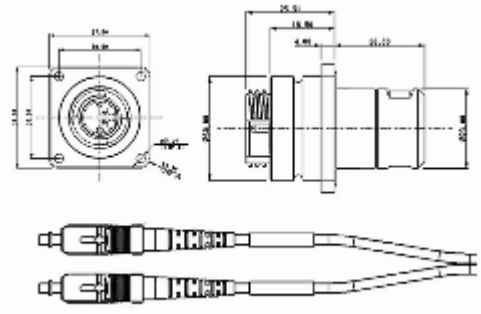


PXEB5223C001 Datasheet

Product Name // 2 Channel Flange Mount to SC Connector Cable Assembly

[View Product Page](#)

* Representative product image only



// Product Description:

- ⊕ A Terminated Flange Mount Bulkhead (FMBH) Connector with 2 (OM3) SC terminated independent cables - 1m Long Cable Assembly
- ⊕ Designed to MIL-DTL83526D
- ⊕ Compatible with any connector that follows MIL-DTL83526D
- ⊕ Dust Cap for all Connectors & Flange Mount Lanyard Included
- ⊕ Mates with Plug Connectors (hermaphroditic)
- ⊕ Operating Temperature -50Å°C to +80Å°C
- ⊕ Available in 2 Channel
- ⊕ Available in Flange Mount to LC Cable Assembly

// General Information:


Product Display Title:	2 Channel Flange Mount to SC Connector Cable Assembly
Product Family:	Circular Fiber Connectors
Product Series:	5000 Series Expanded Beam
Max Insertion Loss:	<2dB
Avg Insertion Loss:	<1.5dB
Body Colour:	Dark Grey
Body Material:	Polycarbonate/Polybutylene Terephthalate (PC/PBT)
Body Material Type:	Plastic Body
Contact Type:	Expanded Beam
Coupling Type:	Screw
Diameter Over Coupling Ring Mm:	30mm
Fibre Mode:	OM3
Flamability Rating:	UL94V-0
Function:	EB Flange Mount to SC Double Ended Fiber Cable
Ip Rating:	IP68
Material Finish:	Matt
Max Operating Temperature:	+80°C
Min Operating Temperature:	-50°C
Rohs Compliant:	Yes

// Product PDF Links

 5000 Series Expanded Beam Product...



Have a question or project enquiry you'd like to talk to us about?

 [Click Here To Contact Us](#)