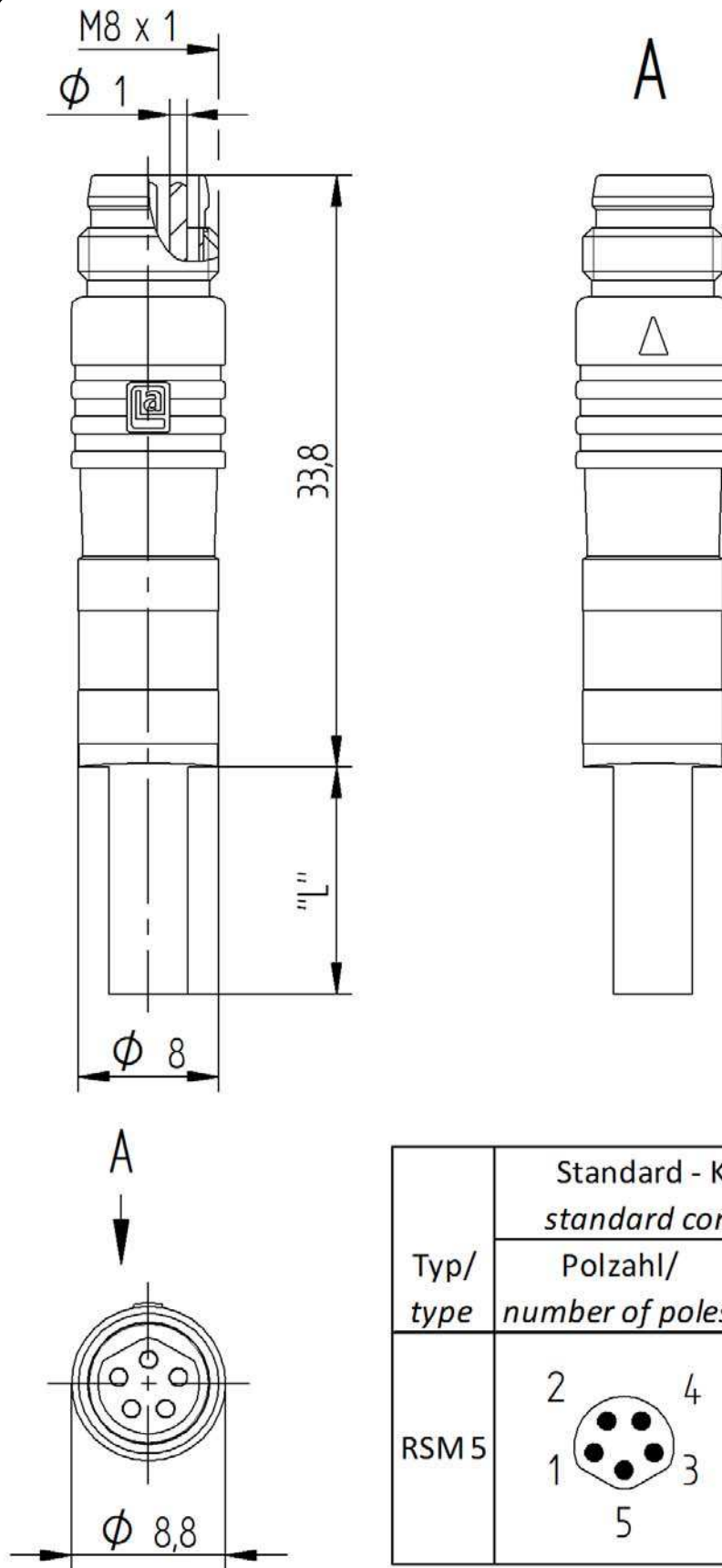
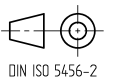


RoHS ✓



Typ/ type	Standard - Kontaktbelegung standard contact assignment	
	Polzahl/ number of poles	Farbkennung/ color code
RSM 5		1 = braun/brown
		2 = weiß/white
		3 = blau/blue
		4 = schwarz/black
		5 = grau/grey

The information/details in this datasheet merely contain general descriptions or performance factors which, when applied in an actual situation, do not always correspond with the described form, and may be amended by way of the further development of products. The desired performance factors shall only be binding if these are expressly agreed on conclusion of the contract.



**Product description**

- miniature male connector with snap joint and molded cable

Type	RSM 5...., see products
Type of contacts	male
Number of contacts	5
Standard	IEC 61076-2-104
Construction type	B-coded
Conductor size	0,25 mm <sup>2</sup> , 034mm <sup>2</sup>

**Technical data**

Rated voltage	63 V AC/DC UL: 30 V AC/DC
Rated current *	3 A (0,25 mm <sup>2</sup> ) / 4 A (0,34 mm <sup>2</sup> )
Rated impulse voltage	0,8 kV
Pollution degree	3 acc. to DIN EN 60664-1 (VDE 0110-1)
Contact resistance	≤ 5 mOhm
Insulation resistance	> 10 <sup>9</sup> Ohm

\* Notice derating

**Materials**

Contact bearer	PA
over molding	TPU
Contact	CuZn
Contact plating	Cu/Au

**Environmental conditions**

Protection class (IEC 60529) *	IP65 / IP67 when screwed
Temperature range (connector)	-40°C to +90°C, notice derating

\* only if mounted and locked in combination with Hirschmann / Lumberg connector.

**Approvals**

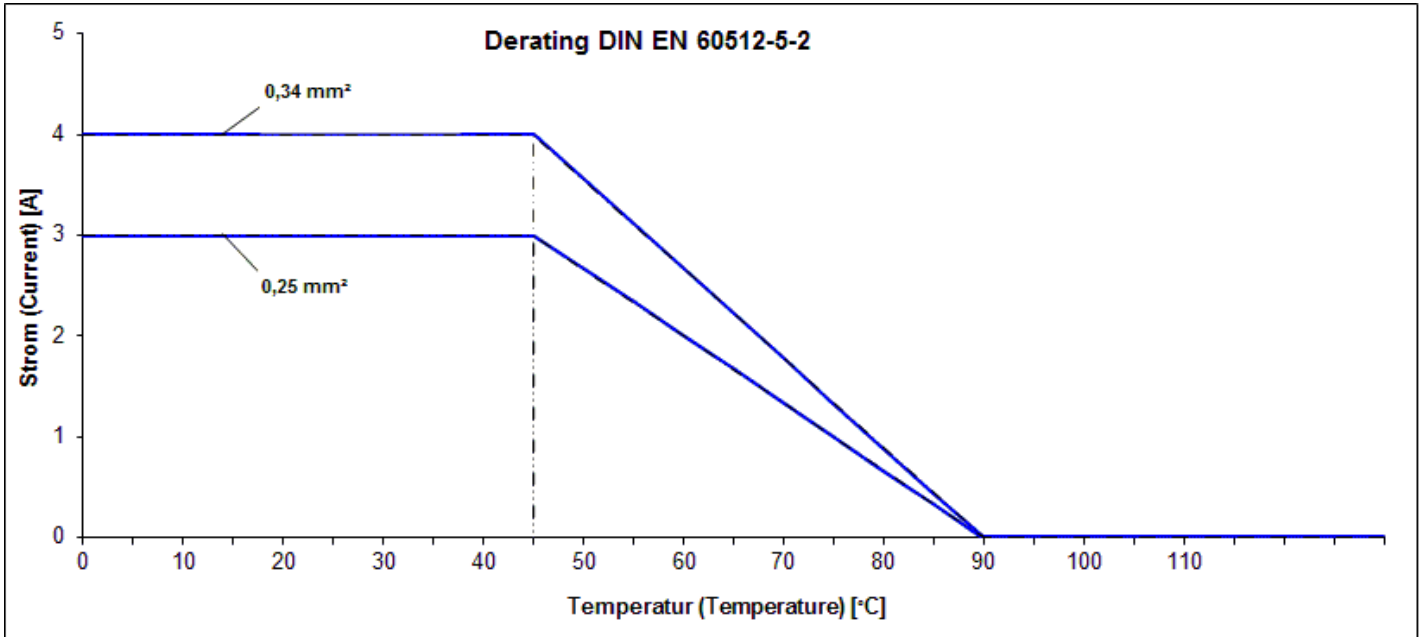
UL	pending
----	---------

**Cutline**

Do not connect / disconnect under load.

"L" = standard length of control line

Further technical information on control lines see 909... or 197...



**Standard products**

Artikel-No.	Type
934-876-001	RSM 5-671/2 M
934-876-002	RSM 5-671/5 M
934-876-003	RSM 5-671/10 M
934-876-004	RSM 5-671/15 M
934-876-005	RSM 5-671/20 M
934-876-006	RSM 5-671/25 M
934-876-007	RSM 5-293/2 M
934-876-008	RSM 5-293/5 M
934-876-009	RSM 5-293/10 M
934-876-010	RSM 5-293/15 M
934-876-011	RSM 5-293/20 M
934-876-012	RSM 5-293/25 M
934-876-013	RSM 5-507/2 M
934-876-014	RSM 5-507/5 M
934-876-015	RSM 5-507/10 M
934-876-016	RSM 5-507/15 M
934-876-017	RSM 5-507/20 M
934-876-018	RSM 5-507/25 M
934-876-019	RSM 5-506/2 M
934-876-020	RSM 5-506/5 M
934-876-021	RSM 5-506/10 M
934-876-022	RSM 5-506/15 M
934-876-023	RSM 5-506/20 M
934-876-024	RSM 5-506/25 M